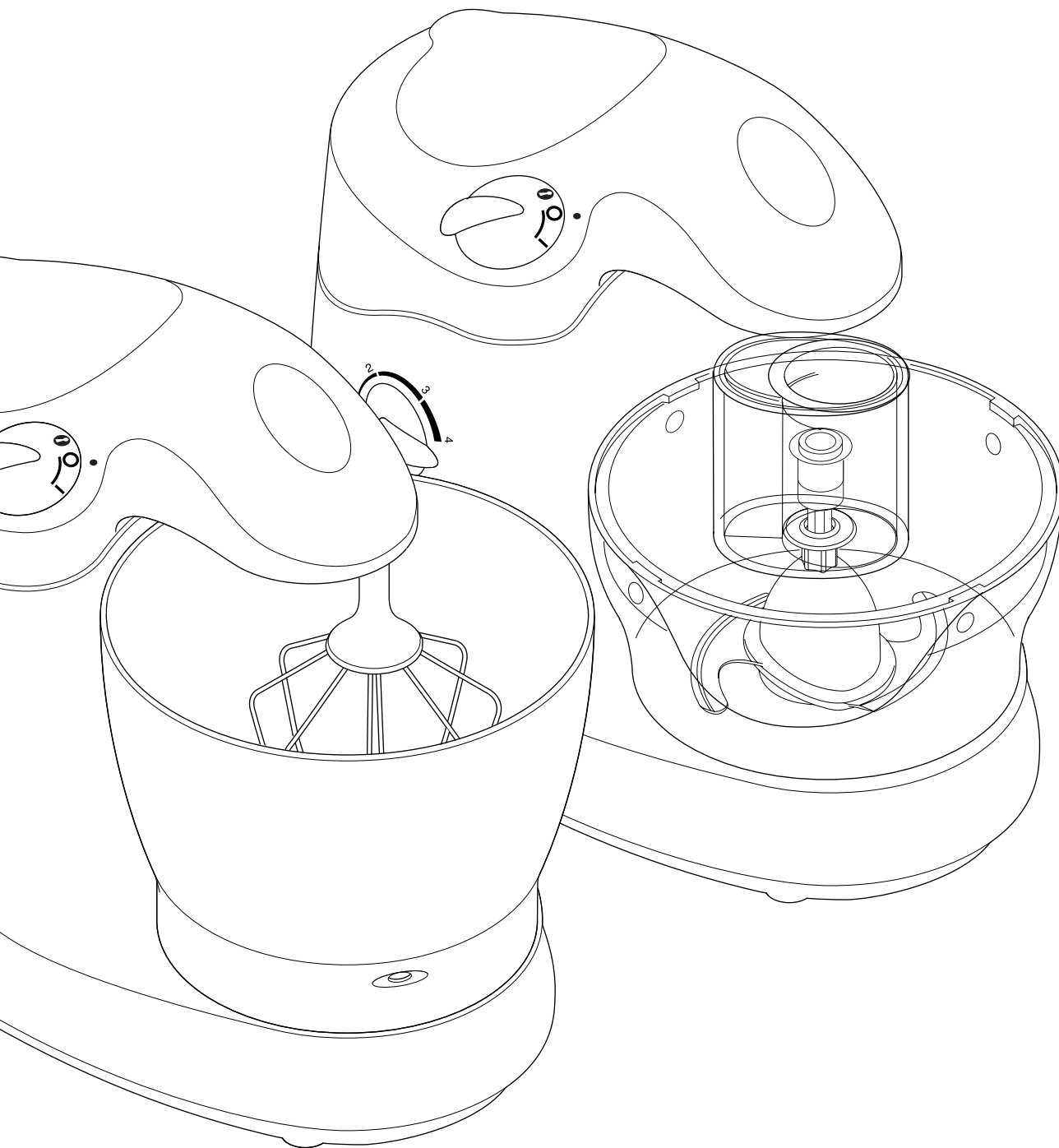


Kenwood Cuisine KM120, KM150, KM180



KENWOOD

introduction

Your Kenwood kitchen machine will help you with a multitude of tasks. Whether you're making bread or a soufflé, meringues or a cake, Kenwood makes it easier. And with such a wide range of attachments available, there's no limit to what it can do for you.

Pack Contents

	KM120 Cuisine Solo	KM150 Cuisine 3 in 1	KM180 Cuisine 3 in 1 plus
mixing			
mixing bowl	✓	✓	✓
whisk	✓	✓	✓
dough kneaders	✓	✓	✓
stirrer	✓	✓	✓
blending			
liquidiser	x	✓	✓
food processing			
attachment bowl, lid and pushers	x	✓	✓
knife blade	x	✓	✓
3 slicer/shredder/chipper plates	x	✓	✓
citrus juicer	x	x	✓
centrifugal juicer	x	x	✓
spatula	✓	✓	✓
cover	x	x	x

know your Kenwood kitchen machine

please refer to pack content guide opposite

safety

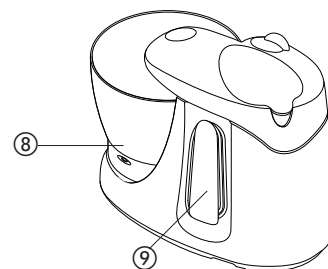
- Keep your fingers away from moving parts and fitted attachments.
- Handle blades and cutting plates with care - they are extremely sharp.
- Never leave the machine on unattended.
- Never use a damaged machine. Get it checked or repaired: see 'service', page 7.
- Never use an unauthorised attachment or more than one attachment at once (except the dough kneaders).
- This machine is for domestic use only.
- Never exceed the maximum capacities on page 2.
- Switch off and unplug before fitting or removing tools/attachments, after use and before cleaning.
- This machine is not intended for use by young children or infirm persons without supervision.
- Don't let children play with this machine.

before plugging in

- Make sure your electricity supply is the same as the one shown on the underside of your machine.
- This machine complies with European Economic Community Directive 89/336/EEC.

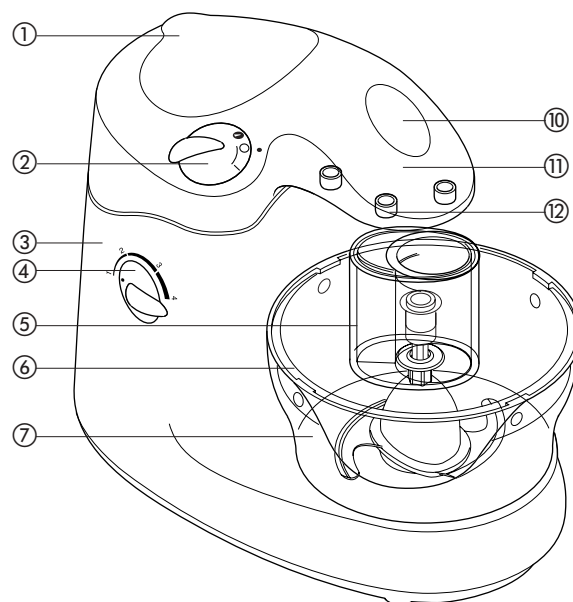
before using for the first time

- 1 Remove all packaging including the plastic blade covers from the knife blade. These covers should be discarded as they are to protect the blade during manufacture and transit only.
- 2 Wash the parts: see 'cleaning', page 7.
- 3 Wind excess cord around the bracket at the back of the machine.



know your Kenwood kitchen machine

- ① outlet cover
- ② on/off and head-lift switch
- ③ power unit
- ④ speed switch
- ⑤ pushers
- ⑥ attachment lid
- ⑦ attachment bowl
- ⑧ mixing bowl
- ⑨ bracket for excess cord
- ⑩ mixer tool release button
- ⑪ mixer head
- ⑫ mixer tool sockets



attachments available
mixer

whisk page 2
dough kneaders page 2
stirrer page 2

liquidiser page 3

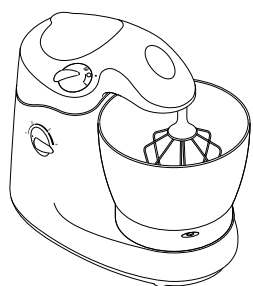
food processing attachments

knife blade page 4
 slicer/shredder/chipper page 5
 citrus juicer page 6
 centrifugal juicer page 6

spatula
cover part number 492239

☎ To buy an attachment not included in your pack, call Kenwood customer care on **023 92392333** and ask for Customer Care. **Have your model number ready** it's on the underside of your machine.

- The food processing attachments all use the same bowl. So a pack containing more than one attachment comes with only one bowl.



the **mixer**

Use the mixer for cakes, bread, pastry and meringues

the mixing tools and some of their uses

- whisk ① for whisking egg whites; cream; instant puddings; all-in-one cake mixes; creaming margarine and sugar (use a block margarine at room temperature); mixing eggs into sponge and fruit cakes.
- dough kneaders ② for all yeast mixtures. Use both kneaders together.
- stirrer ③ for stirring flour or fruit into cake mixes; making shortcrust pastry.

- important
- Never run the mixer for longer than 10 minutes - it will overheat.
 - Don't use the whisk for heavy mixtures - you could damage it.
 - After cleaning, re-fit the bowl. This keeps the mechanism underneath covered.

to use the mixer

- 1 Turn the on/off switch to 'I' to raise the mixer head ①
- 2 Put your ingredients into the mixing bowl, then fit the bowl onto the base. If necessary, turn it slightly until it drops into place.
- 3 The tools are colour-marked and so are the sockets they go into. Choose a tool, find the socket that matches its colour, then insert - turn and push ②
- Use both dough kneaders together; use the other tools singly.
- 4 Lower the mixer head until it clicks shut - **otherwise the mixer won't work.**
- 5 Select a speed ③
- 6 Plug in, then turn the on/off switch to 'I' ④
- 7 To switch off, turn the switch back to 'O'.

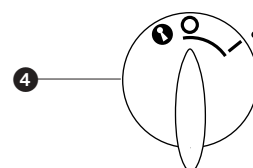
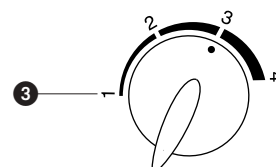
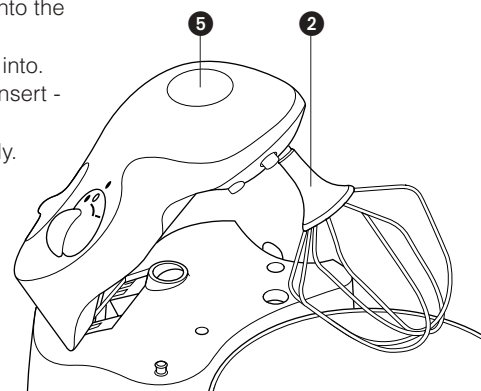
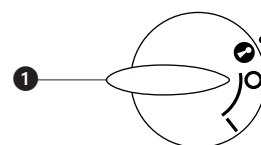
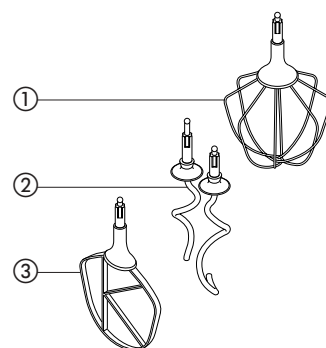
- to remove a tool
- 1 Switch off.
 - 2 Release the mixer head ①
 - 3 Press the tool release button ⑤
 - Remove the tool **before** removing the bowl.

- hints
- If you've got something in the mixing bowl that might splash (eg cream or flour), start on the lowest speed, then increase it if necessary.
 - If you hear the machine labouring, increase the speed.

choosing a speed **for all functions**

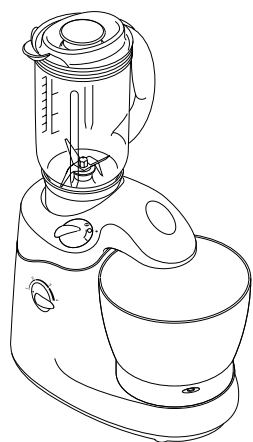
- **whisking** high
- **kneading** high
- **stirring flour/fruit into cake mixes** low to medium
- **making pastry** low to medium
- **liquidiser** high
- **knife blade** medium to high
- **slicer/shredder/chipper** medium to high
- **citrus juicer** low to medium
- **centrifugal juicer** high

- maximum capacities
- **egg whites** 8
 - **liquidiser** 1 litre (1³/₄pt)
 - **one-stage sponge cake** total weight 1.2kg (2lb 10oz)
 - **fruit cake** total weight 1.75kg (3lb 14oz)
 - **pastry** flour weight 300g (10oz)
 - **bread dough** flour weight 1kg (2lb 3oz) - but only if the liquid content is at least 500ml (18fl oz). If the mixture is drier than this, mix it in two batches. Otherwise you'll strain the mixer.
 - **chopping meat** 340g (12oz)



for **cleaning** see page 7

the liquidiser



Use the liquidiser for soups, drinks, pâtés, mayonnaise, breadcrumbs, biscuit crumbs and chopping nuts.

- ① filler cap. You can remove this and add ingredients while the machine is running (eg oil for mayonnaise or bread for breadcrumbs).
- ② lid
- ③ jug

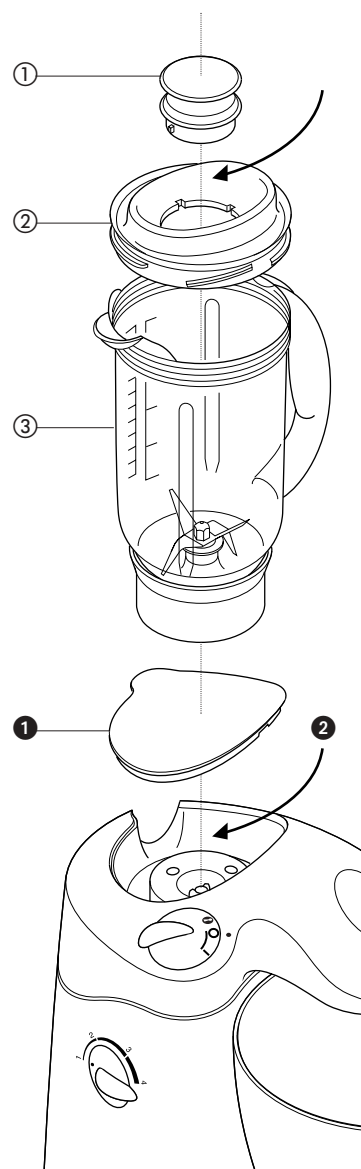
- safety**
- Never remove the liquidiser, or its lid, until the blades have completely stopped.
 - Never blend very hot liquids.

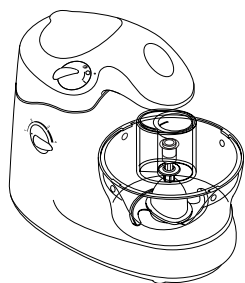
- important**
- Never run the liquidiser for longer than one minute - it will overheat. All foods are fully processed within one minute.
 - Don't put dry ingredients into the liquidiser before switching on. Cut them into cubes and drop them through the filler cap while the machine is running.
 - Don't process spices such as cloves, dill and cumin seeds as they damage the liquidiser plastic.
 - The liquidiser isn't suitable as a storage container. Don't leave ingredients to stand inside it either before or after processing.
 - Never exceed the maximum capacity of 1 litre (1³/₄pt).

to use the liquidiser

- 1 Lower the mixer head until it clicks shut.
- 2 Remove the outlet cover ①
- 3 Put your ingredients into the jug.
- 4 Screw the lid and filler cap onto the jug.
- 5 Screw the jug onto the outlet ②
- 6 Switch on.

- hint**
- When making mayonnaise, put all the ingredients, except the oil, into the liquidiser. Then, with the machine running, remove the filler cap and add the oil slowly and evenly.





the **food processing attachment**

use the food processing attachment to chop, slice, shred and chip

knife blade

Use the knife blade to chop raw and cooked meat, cooked eggs, vegetables, nuts, pâtés and dips and to also make crumbs from bread and biscuits. It can also be used to make shortcrust pastry and crumble toppings.

- ① pushers: large and small
- ② attachment lid
- ③ knife blade
- ④ attachment bowl

- safety
- **Never remove the lid until the knife blade has completely stopped.**
 - The blades are sharp, handle with care. Hold the knife blade by the finger grip at the top away from the cutting edge, both in use and when cleaning.
 - Always remove the knife blade before pouring contents from the bowl.

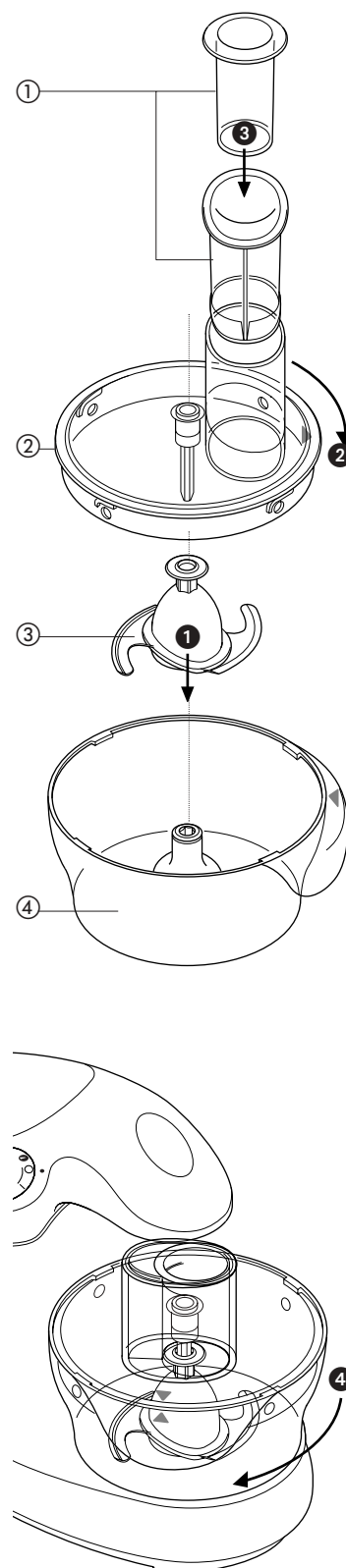
- important
- Don't chop ice cubes or other hard foods, such as spices, they may damage the attachment.
 - Don't use the knife blade to mix heavy loads such as bread dough otherwise you may damage your machine. Use the dough kneaders in the mixing bowl.
 - Don't blend liquid ingredients as they may leak from around the lid - use the liquidiser.
 - Some movement may occur when chopping raw meat, this is normal.

to use the knife blade

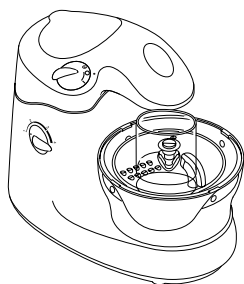
- 1 Lower the mixer head until it clicks shut.
- 2 Place the knife blade in the attachment bowl ①
- 3 Cut the food up and place into the bowl ensuring that the food does not fall down the central hole in the blade shaft.
- 4 Fit the lid onto the bowl - bowl handle to the right, feed tube behind then turn clockwise until the indicating arrows line up ②
- If you experience difficulty in fitting the shaft in the lid into the knife blade, turn the top of the knife blade slightly, then try again.
- 5 Fit the feed tubes ③
- 6 Fit the unit onto the mixer base - handle towards the back - and turn clockwise until it clicks into position ④
- 7 Switch on and process until the desired result has been achieved.

- hints
- Cut food up before placing into the attachment. Meat, bread, vegetables and other foods of a similar texture should be cut into cubes approximately 2cm/¾ in. Biscuits should be broken into pieces and added down the feed tube whilst the machine is operating.
 - When making pastry, use firm fat cut into cubes from the fridge. Mix with the flour until breadcrumb stage is reached. Gradually add sufficient water down the feed tube to form a dough. Switch off immediately ingredients combine together.
 - During processing some foods may collect around the rim of the lid. To prevent this, stop half way through the operation, scrape down, then resume.
 - Take care not to over process when using the knife blade.

- maximum capacities
- **pastry** (flour weight) 300g (10oz)
 - **meat** 340g (12oz)



for **cleaning** see page 7



the **food processing attachment** continued

slicer/shredder/chipper

Use the slicer/shredder to slice or shred fruit, vegetables and cheese and the chipper to cut vegetables eg potatoes and fruit.

- ① pushers: large and small
- ② feed tube
- ③ attachment lid
- ④ attachment bowl
- inclusive cutting plates ⑤ thick slicer/shredder
- ⑥ thin slicer/shredder
- ⑦ thin (julienne style) chipper
- optional cutting plates ⑧ extra-coarse shredder part number 639021
- ⑨ rasping plate part number 639150
- ⑩ standard chipper part number 639083

☛ To buy a cutting plate not included in your pack, call Kenwood customer care on **023 92392333** and ask for Customer Care. **Have your model number ready** it's on the underside of your machine.

what the cutting plates do

slicer/shredders

Plates ⑤ and ⑥ are reversible: one side slices, the other side shreds. You can slice cheese, carrot, potato, cabbage, cucumber, courgette, beetroot, onion. You can shred cheese, carrot, potato and foods of a similar texture. *Your chosen cutting side must be uppermost.*

thin (julienne style) chipper ⑦ cuts: potatoes for Julienne style French fries; firm ingredients for salads, garnishes, casseroles and stir fries (eg carrot, swede, courgette, cucumber).

extra-coarse shredder ⑧ coarsely shreds cheese and carrot.

rasping plate ⑨ grates: parmesan cheese; potato for German potato dumplings.

standard chipper ⑩ cuts: potatoes for thin French fries; firm ingredients for salads and dips (eg swede, cucumber).

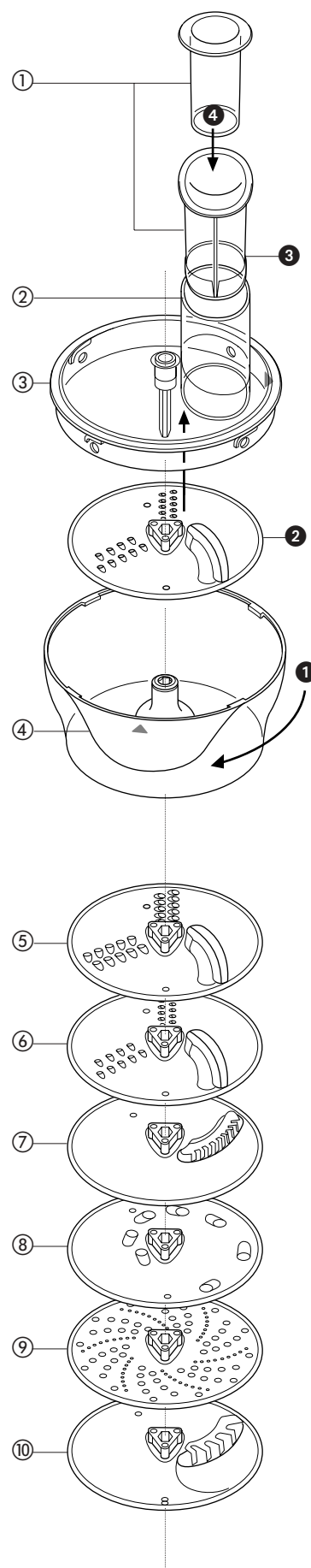
- safety
- **never remove the lid until the cutting plate has completely stopped.**
 - Handle the cutting plates with care - they are extremely sharp.
 - Don't let the bowl fill up as far as the cutting plate: empty it regularly.

to use the slicer/shredder/chipper

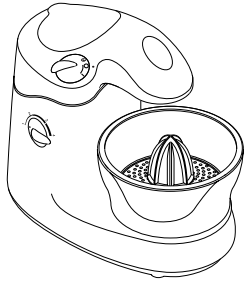
- 1 Lower the mixer head until it clicks shut.
- 2 Fit the bowl onto the base - handle towards the back - and turn clockwise until it clicks into position ①
- 3 Push your cutting plate onto the shaft inside the lid. The cutting side must be uppermost ②
- 4 Fit the lid onto the bowl - feed tube towards the right - and turn clockwise until the arrows align.
- 5 Choose which feed tube you want to use. The pusher contains a smaller feed tube for processing individual items or thin ingredients.
- to use the **small** feed tube • First put the large pusher inside the feed tube ③
- to use the **large** feed tube • Use both pushers together ④
- 6 Put the food into the feed tube.
- 7 Switch on and push down evenly with the pusher - **never put your fingers in the feed tube.**

- hints
- Use fresh ingredients.
 - Don't cut food up too small. Fill the width of the large feed tube fairly full. This prevents the food from slipping sideways during processing. Alternatively, use the small feed tube.
 - When using a chipper plate, place thin ingredients horizontally.
 - When slicing or shredding: food placed upright comes out shorter than food placed horizontally.
 - After using a cutting plate there will always be a small amount of waste on the plate or in the food.

for **cleaning** see page 7



the **citrus & centrifugal juicer**



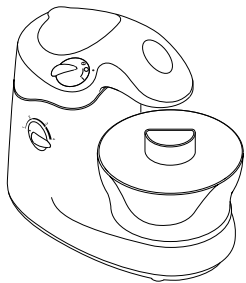
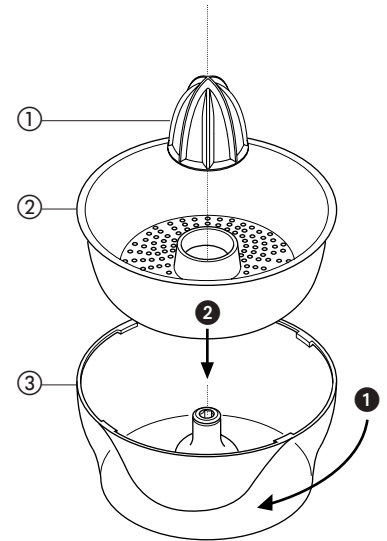
citrus juicer

Use the citrus juicer to squeeze the juice from citrus fruits (eg oranges, lemons, limes, grapefruits).

- ① cone
- ② sieve
- ③ attachment bowl

to use the citrus juicer

- 1 Lower the mixer head until it clicks shut.
- 2 Fit the bowl onto the base - handle towards the back - and turn clockwise ①
- 3 Put the sieve inside the bowl, then add the cone ②
- 4 Cut the fruit in half. Then switch on and press it onto the cone.



centrifugal juicer

Use the centrifugal juicer for making juice from firm fruit and vegetables.

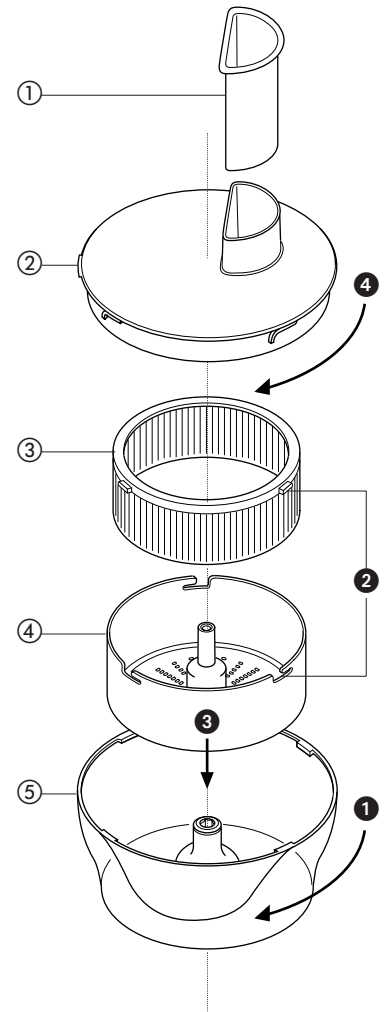
- ① pusher
- ② lid
- ③ strainer
- ④ inner bowl
- ⑤ attachment bowl

- safety important**
- Never use the centrifugal juicer without its lid on.
 - If the machine vibrates, switch off and empty the strainer. (The machine vibrates if the pulp becomes unevenly distributed.)
 - Process small amounts at a time (454g (1lb) maximum) and empty the strainer and inner bowl regularly.
 - Before processing, remove stones and pips (eg pepper, melon, plum) and tough skins (eg melon, pineapple). You don't need to peel or core apples or pears.

to use the centrifugal juicer

- 1 Lower the mixer head until it clicks shut.
- 2 Fit the bowl onto the base - handle towards the back - and turn clockwise ①
- 3 Fit the strainer inside the inner bowl, engaging the tabs ②
- 4 Fit the inner bowl inside the main bowl ③
- 5 Fit the lid onto the bowl - feed tube towards the right - and turn clockwise ④
- 6 Cut your food up. Then put one or two pieces into the feed tube.
- 7 Switch on and push down evenly with the pusher - **never put your fingers in the feed tube**. Process fully before adding more.
- 8 After adding the last of the food, let the machine run for 20 seconds to extract all the juice from the strainer.

- hints**
- Use firm, fresh ingredients.
 - Citrus fruit juice will be bitter and frothy because its peel and pith get processed too. Use the citrus juicer instead.



cleaning and service

cleaning

- Always switch off and unplug before cleaning.
- Never let the power unit, cord or plug get wet.
- Handle all blades and cutting plates with care - they are extremely sharp.
- Some foods will discolour the plastic. This is perfectly normal. It won't harm the plastic or affect the flavour of your food. Rubbing with a cloth dipped in vegetable oil helps remove discolouring.
- Don't wash the parts in the dishwasher.

- power unit/mixer
- Wipe with a damp cloth, then dry.
 - Never use abrasives or immerse in water.
- liquidiser
- 1 Fill with warm water, fit the lid and filler cap, then switch on top speed for 20 - 30 seconds.
 - 2 Empty, then rinse. If it's still dirty, use a brush.
 - 3 Wipe, then leave to air-dry.
- Don't leave the liquidiser in water to soak. And don't leave water inside it.
- all other parts
- Wash by hand, then dry thoroughly.

service and customer care

- Use the machine **only** for its intended use.
- If the cord is damaged it must, for safety reasons, be replaced by KENWOOD or an authorised KENWOOD repairer.

If you need help with:

- using your machine
 - ordering another attachment
 - servicing or repairs
- Contact the shop where you bought your machine.

recipes

winter warmer soup

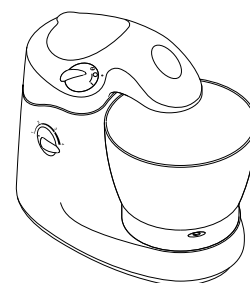
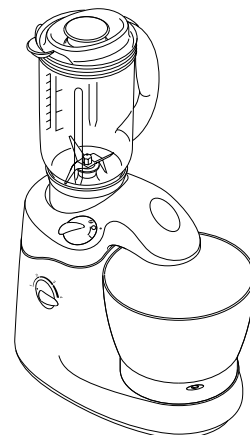
- ingredients
- carrots, potatoes and onions: sixteen 2cm ($\frac{3}{4}$ ") cubes of each
 - bacon stock
 - 100g (4oz) red lentils, washed
 - 250ml ($\frac{1}{2}$ pt) vegetable stock
 - one 400g (14oz) tin chopped tomatoes
 - salt and pepper
 - 200g (8oz) cooked bacon joint cut into 1cm ($\frac{1}{2}$ ") cubes

- method
- 1 Put the carrots, potatoes and onions into the **liquidiser** in that order.
 - 2 Add bacon stock up to the 1 litre ($1\frac{3}{4}$ pt) mark.
 - 3 Blend for no more than 10 seconds.
 - 4 Pour into a saucepan. Then add the lentils, tomatoes, vegetable stock and seasoning.
 - 5 Bring to the boil, stirring constantly. Then simmer for about 1 hour, stirring regularly, until the ingredients are cooked.
 - 6 Add the bacon cubes and heat through for 5 - 10 minutes. Serve immediately.

white bread - loaf or rolls

- ingredients
- 500g (1lb 2oz) strong plain flour
 - 5ml (1tsp) salt
 - 15g ($\frac{1}{2}$ oz) lard
 - 15g ($\frac{1}{2}$ oz) fresh yeast; or 10ml (2tsp) dried yeast + 5ml (1tsp) caster sugar
 - 300ml (11fl oz) warm water: 43°C (110°F). Use a thermometer or add 100ml (3 $\frac{1}{2}$ fl oz) boiling water to 200ml (7 $\frac{1}{2}$ fl oz) cold water
 - **never exceed the maximum capacities** on page 2.

- method
- 1 **dried yeast** (the type that needs reconstituting): pour the warm water into the bowl. Then add the yeast and the sugar and leave to stand for 5 - 10 minutes until frothy.
fresh yeast: crumble into the flour.
other types of yeast: follow the manufacturer's instructions.
 - 2 Pour the liquid into the **bowl**. Then add the flour (with fresh yeast if used), salt and lard.
 - 3 Fit the **dough kneaders**, then fit the bowl.
 - 4 Switch on, gradually increasing the speed to maximum.
 - 5 Knead until the dough looks elastic - **never run the mixer for longer than 10 minutes - it will overheat.**
 - 6 Put the dough into a greased polythene bag or a bowl covered with a tea towel. Then leave it somewhere warm until it has doubled in size.
 - 7 Put the dough onto a lightly floured surface. Then knead it by hand for 2 - 3 minutes to knock out the air. Do this by hand because the increased dough size could damage your mixer.
 - 8 Shape the dough into a loaf or about 15 rolls and place on greased baking trays. Then leave it somewhere warm until it has doubled in size.
 - 9 Bake at 230°C/450°F/Gas Mark 8 for 20 - 25 minutes (for a loaf) or 10 - 15 minutes (for rolls).
 - 10 When ready, the bread should sound hollow when tapped on the base.



úvod

Tento kuchyňský robot značky Kenwood Vám ulehčí celou řadu různých prací. Díky robotu Kenwood si ulehčíte přípravu řady pokrmů od chleba, přes suflé a sněhové pečivo, až po dort. A díky širokému sortimentu příslušenství, jsou možnosti využití robota doslova neomezené.

Seznam příslušenství

	KM120 Cuisine Solo	KM150 Cuisine 3 in 1	KM180 Cuisine 3 in 1 plus
míchání, šlehání a hnětení			
pracovní mísa	✓	✓	✓
šlehač	✓	✓	✓
hnětače	✓	✓	✓
míchač	✓	✓	✓
mixování			
mixér	x	✓	✓
zpracování potravin			
mísa na příslušenství, víko a tlačidla	x	✓	✓
sekací nůž	x	✓	✓
3 kotouče na krájení/strouhání/hranolky	x	✓	✓
lis na citrusové plody	x	x	✓
odstředivka šťáv	x	x	✓
stěrka	✓	✓	✓
kryt	x	x	x

popis kuchyňského robota Kenwood

blíže informace naleznete na protější stránce v seznamu příslušenství jednotlivých modelů

bezpečnost

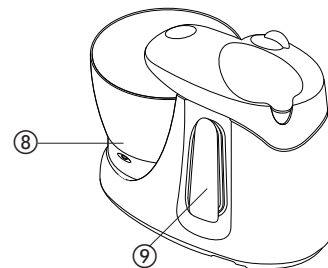
- Nestrkejte prsty do blízkosti pohybujících se součástí a přídatných zařízení.
- Dávejte pozor při zacházení se strouhacími kotouči, jsou mimořádně ostré.
- Běžící spotřebič nenechávejte bez dohledu
- Nepoužívejte poškozený spotřebič. Dejte ho přezkoušet nebo spravit: viz 'servis', str. 16.
- Nepoužívejte příslušenství nedoporučené výrobcem; nikdy nepoužívejte více než jedno příslušenství najednou (s výjimkou hnětačů těsta).
- Tento spotřebič je určen k použití v domácnosti.
- Nepřekračujte maximální kapacity uvedené na str. 11.
- Před montáží či demontáží nástrojů/příslušenství a po použití a před čištěním spotřebič vypněte a zástrčku vytáhněte ze zásuvky.
- Tento spotřebič nesmí bez dozoru obsluhovat děti nebo nemocné či jinak oslabené osoby.
- Nedovolte dětem, aby si se spotřebičem hrály.

před zapnutím do sítě

- Zkontrolujte, zda jmenovité napětí uvedené na typovém štítku spotřebiče
- Tento spotřebič odpovídá normě dané Směrnicí Evropského společenství 89/336/EEC o odrušení.

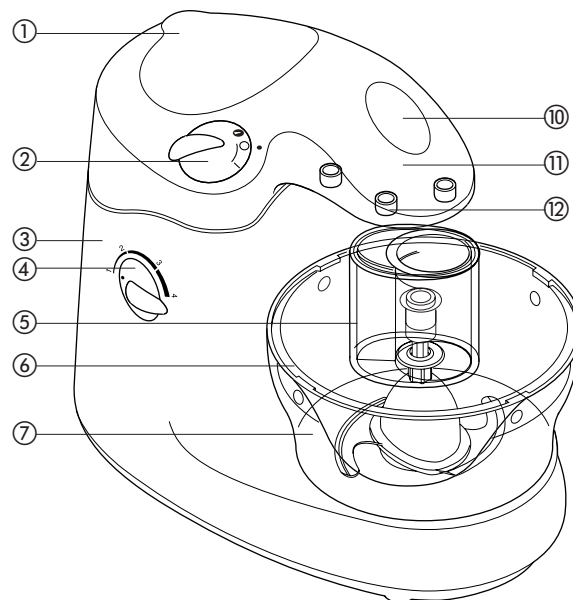
před prvním použitím

- 1 Robot a příslušenství vybalte - sejměte přitom ze sekacího nože ochranné plastové kryty. Tyto kryty, které chrání ostří nože pouze během výroby a převozu, vyhodte.
- 2 Umyjte jeho součásti: viz část 'čištění', str. 16.
- 3 Přebytečnou délku přípojné šňůry navíňte na držák v zadní části spotřebiče.



popis kuchyňského robota Kenwood

- ① kryt rychloběžného pohonu
- ② kruhový spínač zapínání/vypínání a zvedání pracovního ramena
- ③ hnací jednotka
- ④ regulátor rychlosti běhu
- ⑤ tlačidla
- ⑥ víko mísy strojku
- ⑦ mísa strojku
- ⑧ mísa robotu
- ⑨ držák na navinutí přebytečné šňůry
- ⑩ tlačítko uvolňující příslušenství
- ⑪ rameno robotu
- ⑫ zásuvky příslušenství



dodávané příslušenství
mixér

šlehací metla strana 11
hnětače na těsto strana 11
míchač strana 11

mixér strana 12

příslušenství kuchyňského strojku

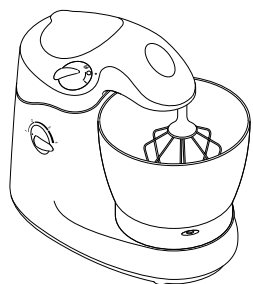
sekací nůž strana 13
kráječ/struhadlo/hranolkovač strana 14
lis na citrusové plody strana 15
odstředivka šťáv strana 15

stěrka

kryt objednáací číslo 492239

☎ Chceteli zakoupit příslušenství, které není součástí vybavení Vašeho robota, volejte opravnu spotřebičů KENWOOD.

- Všechna přídatná zařízení kuchyňského strojku se užívají se stejnou mísou. To znamená, že spotřebič, jehož součástí je více příslušenství, se dodává pouze s jednou pracovní mísou.

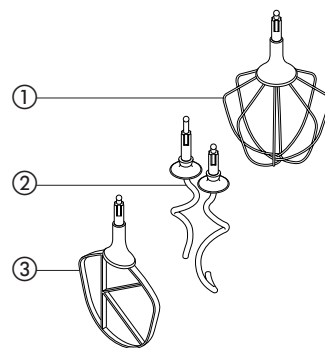


kuchyňský strojek

Kuchyňský robot používejte k přípravě dortů, chleba, těsta a sněhových pusinek.

přídavná zařízení a některé možnosti jejich použití

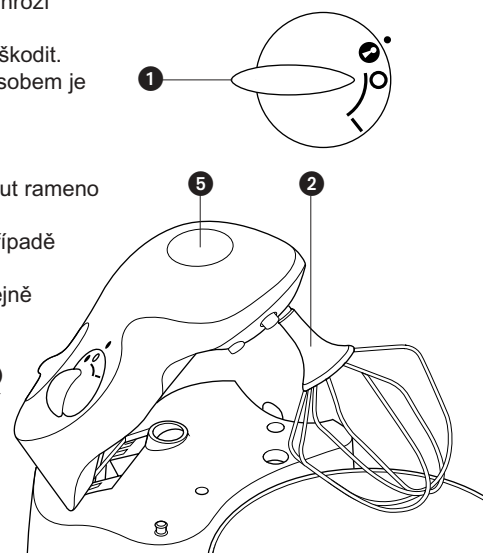
- šlehací metla ① ke šlehání bílků; smetany; instantních krémů; dortových směsí z pytlíku; roztírání tuku s cukrem (používejte nevychlazený pokrmový tuk v kostce); šlehání vajec na piškotové těsto a biskupský chlebiček.
- hnětače na těsto ② na všechna kynutá těsta. Používejte oba hnětače najednou.
- míchač ③ na vmíchávání mouky nebo ovoce do těstových směsí; k přípravě lineckého těsta.



- důležité
- Robot nenechávejte běžet bez přestávky déle než 10 minut, hrozí přehřátí.
 - Šlehací metlu nepoužívejte na těžké směsi, mohli byste ji poškodit.
 - Pracovní mísu po umytí nasadte zpátky na místo. Tímto způsobem je mechanismus pod mísou vždy zakryt.

postup použití robota

- 1 Kruhový vypínač otočte do polohy 'I', abyste mohli zvednout rameno robota ①
- 2 Příměsí vložte do mísy, a mísu pak upevněte do robota. V případě potřeby mísou mírně pootočte, až zapadne na své místo.
- 3 Jednotlivá příslušenství jsou označena barevným kódem, stejně jako zásuvky, do kterých se mají zasunout. Vyberte si požadované příslušenství, najděte barevně odpovídající zásuvku a příslušenství do ní zasuňte a na doraz zatlačte ②
- Hnětače na těsto používejte vždy spolu; ostatní příslušenství používejte samostatně.
- 4 Rameno robota stlačte dolů, až se s cvaknutím zajistí v zavřené poloze - **bez toho nebude robot fungovat.**
- 5 Zvolte si požadovanou rychlost ③
- 6 Zástrčku zasuňte do zásuvky a kruhový spínač zapnutí/vypnutí otočte do polohy 'I' ④
- 7 Robot vypnete otočením vypínače zpět do polohy 'O'.

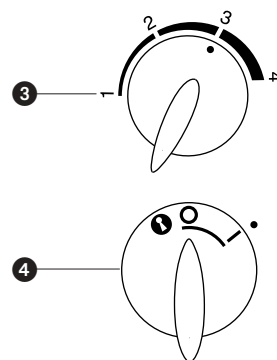


- demontáž příslušenství
- 1 Spotřebič vypněte.
 - 2 Uvolněte rameno robota ①
 - 3 Stiskněte tlačítko uvolňující příslušenství ⑤
 - Příslušenství odmontujte **předtím**, než vyndáte mísu.

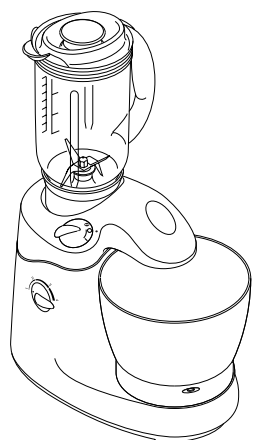
- rady
- Pokud máte v míse směs, která by mohla vystříknout (např. smetanu nebo mouku), začněte na nejnižší rychlost a v případě potřeby ji pak zvyšte.
 - Jakmile slyšíte, že motor robota je příliš namáhán, zvyšte rychlost.

- doporučená rychlost
- pro všechny funkce**
- šlehání rychlá
 - hnětení rychlá
 - vmíchávání mouky/ovoce do dortových směsí pomalá až střední
 - příprava těst na sladké pečivo pomalá až střední
 - mixér rychlá
 - sekací nůž střední až rychlá
 - kráječ/struhadlo/hranolkovač střední až rychlá
 - lis na citrusové plody pomalá až střední
 - odstředivka šťáv rychlá

- maximální množství
- bílky 8
 - mixér 1 litr
 - piškotové těsto připravované najednou celková váha 1,2kg
 - biskupský chlebiček celková váha 1,75kg
 - těsto na sladké pečivo váha mouky 300g
 - chlebové těsto váha mouky 1kg ale pouze tehdy, je-li do směsi přidáno nejméně 500ml tekutiny. Pokud je směs sušší, rozdělte ji do dvou dávek. Jinak robot přetížíte.
 - sekání masa 340 g



návod k čištění naleznete na str. 16



mixér

Mixér slouží k přípravě polévek, nápojů, paštik, majonéz, strouhanky a k sekání sušenek a ořechů.

① zátka plnicího otvoru. Dá se vyndat z víka a plnicím otvorem můžete do běžícího mixéru přidávat příměsi (např. olej do majonézy, či chleba při přípravě strouhanky).

- ② víko
- ③ nádoba

bezpečnost

- Mixér ani jeho víko nesundávejte, dokud se sekací nože zcela nezastaví.

- Nikdy nemixujte velmi horké tekutiny.

důležité

- Mixér nenechávejte běžet bez přestávky déle než jednu minutu, hrozí přehřátí. Všechny potraviny jsou důkladně zpracovány během jedné minuty.

- Suché příměsi nedávejte do mixéru předem. Rozkrájejte je na kostky a vhažujte je plnicím otvorem ve víku přímo na běžící nože.

- Někteří koření, jako např. hřebíček, kopr a římský kmín, by mohla poškodit umělou hmotu, z níž je nádoba mixéru vyrobena. Proto se nesmí v mixéru zpracovávat.

- Mixér není vhodný ke skladování, proto se příměsi nechávat v nádobě mixéru dlouho před zpracováním, ani po něm.

- Nepřekračujte maximální kapacitu mixéru, která je 1 litr.

postup použití mixéru

1 Rameno robota stlačte dolů, až se s cvaknutím uzavře.

2 Sundejte kryt rychloběžného výstupu ①

3 Příměsi vložte do nádoby mixéru.

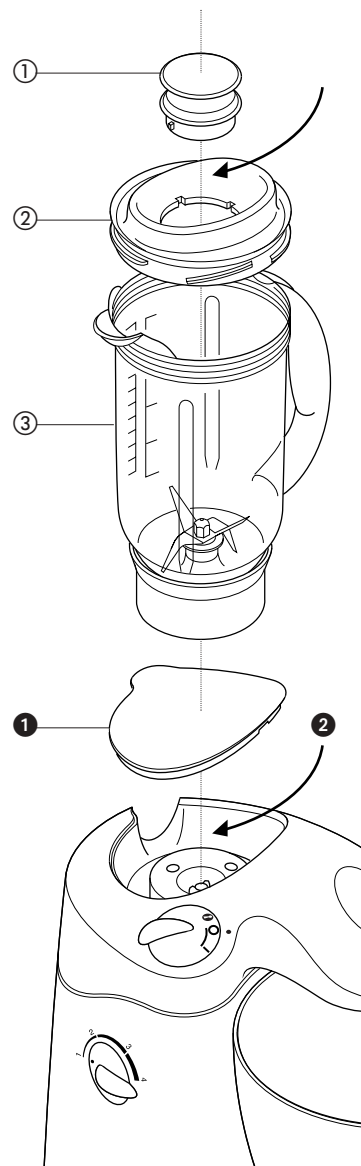
4 Na nádobu našroubujte víko a zátku otvoru.

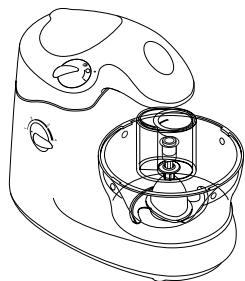
5 Kroutivým pohybem upevněte nádobu na rychloběžný výstup ②

6 Spusťte robot.

rada

- Při přípravě majonézy dejte do nádoby mixéru všechny příměsi kromě oleje. Mixér spusťte, potom vyndejte zátku otvoru a postupně pomalým proudem nalejte do směsi olej.





příslušenství kuchyňského strojeku

příslušenství kuchyňského strojeku používejte k sekání, krájení, strouhání a přípravě hranolků z brambor

sekací nůž

Sekací nůž slouží k sekání syrového i vařeného masa, vařených vajec, zeleniny, ořechů a dále k přípravě paštik, pomazánek, krémů, strouhanky a také k drcení sušenek. Nože lze též použít k přípravě některých sladkých těst a drobení na koláče apod.

- ① tlačidla: velké a malé
- ② víko mísy strojeku
- ③ sekací nůž
- ④ mísa strojeku

bezpečnost ● **Pozor, víko mísy nesundávejte, dokud se sekací nůž zcela nezastaví.**

- Se sekacím nožem zacházejte opatrně, je velmi ostrý. Při používání i čištění držte sekací nůž za jeho násadu ostřím od sebe.
- Sekací nůž vždy z mísy vyndejte před tím, než ji začnete vyprazdňovat.

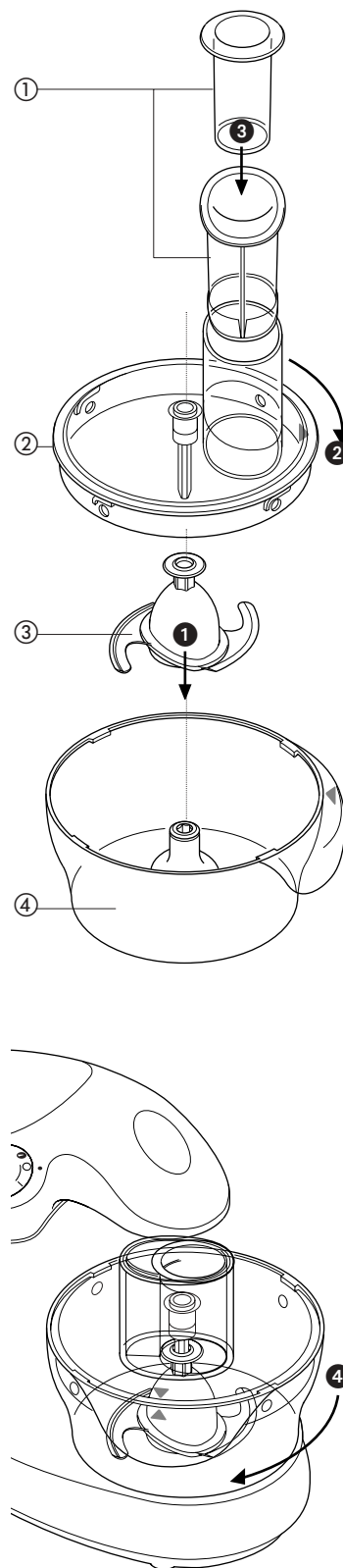
- důležité**
- Nožem nesekejte kostky ledu ani jiné tvrdé potraviny, jako např. koření - mohlo by dojít k poškození příslušenství.
 - Sekací nůž nepoužívejte k míchání těžkých směsí, jako např. chlebového těsta, mohli byste poškodit hnací jednotku. Použijte hnětače a mísy robotu.
 - Sekací nůž nepoužívejte k mixování tekutých směsí - mohly by začít téct kolem víka pracovní mísy.
 - Při sekání syrového masa se může hnací jednotka mírně pohybovat - je zcela normální.

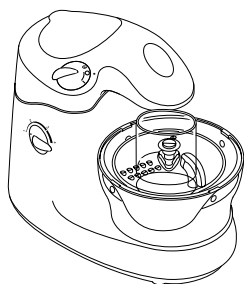
postup použití sekacího nože

- 1 Rameno robotu sklopte, až se s cvaknutím uzavře.
- 2 Do mísy strojeku vložte sekací nůž ①
- 3 Potraviny určené ke zpracování nařežte na kousky a vhodte do mísy. Dávejte pozor, aby se potraviny nedostaly do otvoru ve středu násady sekacího nože.
- 4 Na mísu nasadte víko: držadlo mísy musí směřovat doprava a plnicí otvor víka musí být za ním. Otočte víkem směrem doprava, až jsou šipky na víku a míse v rovině ②
- V případě, že Vám řádné nasazení víka znemožňuje násada sekacího nože, mírně s ní pootočte a znovu zkuste víko nasadit.
- 5 Nasadte plnicí hrdla ③
- 6 Smontované příslušenství umístěte na hnací jednotku robotu tak, aby držadlo mísy směřovalo dozadu. Mísou pootočte směrem doprava, až s cvaknutím zapadne na místo ④
- 7 Strojek spusťte a potraviny zpracovávejte tak dlouho, jak je potřeba.

- rady**
- Potraviny před vložením do strojeku rozkrájejte na menší kousky. Maso, chleba, zeleninu a další potraviny podobné struktury musí být rozkrájeny asi na dvoucentimetrové kostky. Sušenky rukama rozdrťte na kousky, které pak vhazujte plnicím hrdlem na běžící nůž.
 - Při přípravě sladkého těsta používejte vychlazený, na kostky rozkrájený pokrmový tuk. Zpracujte ho s moukou, až se vytvoří "drobení", pak postupně plnicím hrdlem přilévejte dostatečné množství vody, aby se vytvořilo těsto. Strojek vypněte okamžitě, jakmile se všechny příměsi spojí.
 - Během zpracování se kolem okraje víka mohou nashromáždit zpracovávané příměsi. Tomu zabráníte tak, že v polovině zpracování strojek zastavíte, příměsi ze stěn stěrkou setřete a strojek opět spusťte.
 - Dávejte pozor, abyste při použití sekacího nože směs nepřepracovali.

- maximální množství**
- **těsto** (váha mouky) 300 g
 - **maso** 340 g





příslušenství kuchyňského stroju pokračování...

kráječ/struhadlo/hranolkovač

Kráječ/struhadlo slouží k plátkování, krouhání a strouhání ovoce, zeleniny a sýra. Kotouč na hranolky k sekání zeleniny (např. brambor) a ovoce.

- ① tlačidla: velké a malé
- ② plnicí hrdlo
- ③ víko stroju
- ④ mísa stroju

dodávané kotouče ⑤ hrubý krájecí/strouhací

⑥ jemný krájecí/strouhací

⑦ na supertenké (ve stylu 'julienne') hranolky

kotouče k dokoupení ⑧ extra hrubý strouhací (objednací číslo 639021)

⑨ na strouhání syrových brambor (objednací číslo 639150)

⑩ na běžné bramborové hranolky (objednací číslo 639083)

☒ Chceteli zakoupit příslušenství, které není součástí vybavení Vašeho robota, volejte opravnu spotřebičů KENWOOD.

k čemu slouží jednotlivé kotouče

krájecí/strouhací

Kotouče ⑤ a ⑥ jsou oboustranné: na jedné straně kotouče plátkují, na straně druhé strouhají. Plátkovat můžete sýr, mrkev, brambory, zelí, okurky, cukíny, červenou řepu a cibuli. Strouhat můžete sýr, mrkev, brambory a potraviny podobné struktury. *Požadovaná strana kotouče musí směřovat vzhůru.*

na supertenké hranolky ⑦ seká brambory na super tenké (julienne) pomfrity a pevné ingredience na saláty, zeleninové oblohy, "casseroles" a čínská jídla typu "stir-fry" (např. mrkev, tuřín, cukíny a okurky).

extra hrubý strouhací ⑧ nastrouhá sýr a mrkev na velmi hrubo.

na syrové brambory ⑨ ke strouhání parmazánu a syrových brambor na bramborové knedlíky.

kotouč na hranolky ⑩ seká brambory na tenké bramborové hranolky a pevné ingredience na saláty a k namáčení do krémů (např. okurky a tuřín).

- bezpečnost
- **víko nesundávejte, dokud se kotouč uvnitř mísy zcela nezastaví.**
 - Pozor - kotouče jsou velmi ostré, zacházejte s nimi proto opatrně.
 - Nádobu pravidelně vyprazdňujte, aby zpracované potraviny nesahaly až ke kotouči.

postup použití kráječe/struhadla/hranolkovače

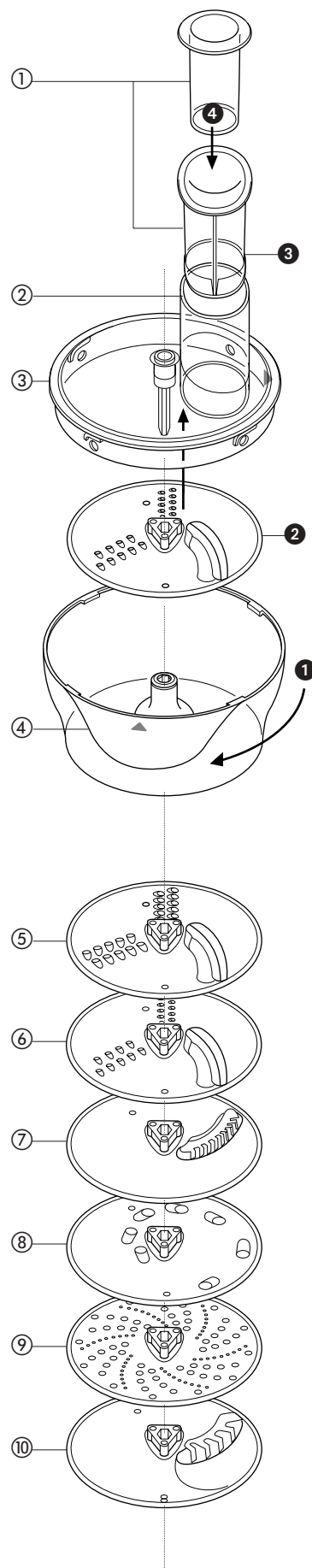
- 1 Rameno robotu sklopte, až se s cvaknutím uzavře.
- 2 Mísu stroju umístěte do robotu- s držadlem směřujícím dozadu- a otočte s ní směrem doprava, až s cvaknutím zapadne na místo ①
- 3 Vybraný kotouč nasuňte na hřídel ve víku. Požadovaná strana kotouče musí směřovat vzhůru ②
- 4 Víko nasadte na mísu tak, aby plnicí hrdlo bylo vpravo. Pak víkem otočte doprava, až jsou šípky v rovině
- 5 Vyberte si, které plnicí hrdlo chcete použít. Uvnitř tlačidla je užší plnicí hrdlo, které slouží ke zpracovávání jednotlivých kousků nebo tenkých ingrediencí.
- 6 Nejprve vsuňte velké tlačidlo do plnicího hrdla ③
- 7 Použijte obou tlačidel najednou ④
- 8 Potraviny natlačte do plnicího hrdla.
- 9 Strojek spusťte a rovnoměrným tlakem posunujte tlačidlo dolů - **do plnicího hrdla nikdy nestrkejte prsty.**

použití **úzkého** plnicího hrdla

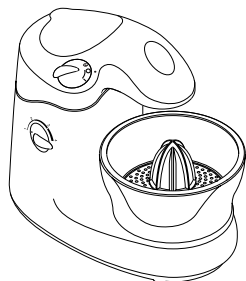
použití **širokého** plnicího hrdla

- radý
- Používejte čerstvé ingredience.
 - Nekrájejte potraviny na příliš malé kousky. Široké plnicí hrdlo vždy řádně napěchujte, aby potraviny při zpracovávání neujížděly do boku. Případně použijte úzké plnicí hrdlo.
 - Při použití kotoučů na hranolky, napěchujte tenké potraviny do hrdla vodorovně, nikoliv kolmo.
 - Napěchujete-li potraviny určené k plátkování nebo strouhání do hrdla kolmo, budou výsledné kousky kratší, než když jsou do hrdla napěchovány vodorovně.
 - Po každém použití kotoučů zůstane buď na kotouči, nebo v míse malé nezpracované množství.

návod k **čištění** naleznete na str. 16



lis na citrusové plody a odstředivka šťáv souprava MA110



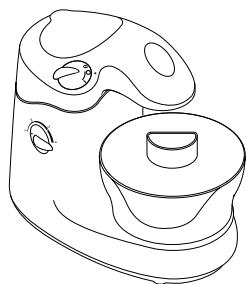
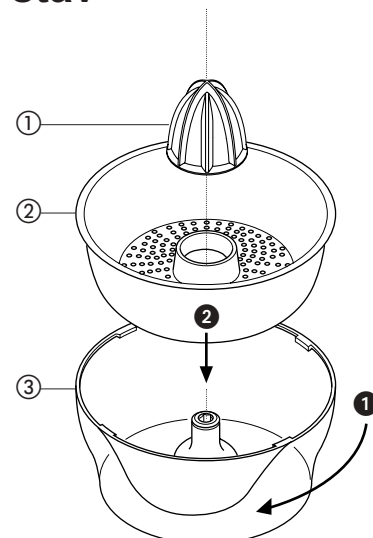
lis na citrusové plody

Tento lis slouží k lisování šťáv z citrusového ovoce (např. pomerančů, citrónů, limet a grapefruitů).

- ① lis
- ② sítko
- ③ mísa strojku

postup použití lisu na citrusové plody

- 1 Rameno robota stlačte dolů, až se s cvaknutím uzavře.
- 2 Misku umístěte do robota s uchem směřujícím doprava a otočte s ní směrem doprava ①
- 3 Do misky nasadte sítko, a pak do ní upevněte lis ②
- 4 Citrusový plod rozpulte. Spusťte robot a ovoce tlačte na lis.



odstředivka šťáv

Odstředivka šťáv slouží k přípravě šťáv/džusů z tvrdého ovoce a zeleniny.

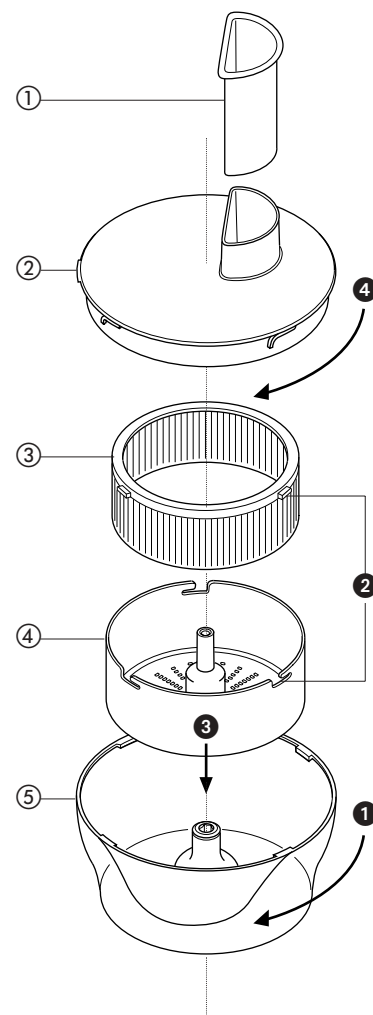
- ① Tlačidlo
- ② Víko
- ③ Sítko
- ④ Vnitřní mísa
- ⑤ mísa strojku

- bezpečnost**
- Odstředivka šťáv se nesmí používat bez nasazeného víka.
- důležité**
- Pokud robot začne vibrovat, vypněte ho a vyčistěte sítko (Vibrování strojku je způsobeno nerovnoměrným rozložením dužiny).
 - Na jeden záťah doporučujeme zpracovávat malé dávky (maximálně 450g) a pravidelně vyprazdňujte sítko i misku.
 - Některé druhy ovoce a zeleniny musíte před odšťavněním zbavit pecek či jader (např. papriky, meloun, švestky) a tvrdé slupky (např. meloun či ananas). Jablka a hrušky se před zpracováním nemusí loupat ani zbavovat jaderníku.

postup použití odstředivky šťáv

- 1 Rameno robota stlačte dolů, až se s cvaknutím uzavře.
- 2 Misku umístěte do robota s uchem směřujícím doprava a otočte s ní směrem doprava ①
- 3 Do vnitřní misky nasadte sítko tak, aby jeho výstupky zapadly do výřezů ve vnitřní misce ②
- 4 Vnitřní misku nasadte do hlavní misky ③
- 5 Na misku nasadte víko s plnicím hrdlem vpravo a otočte s ním doprava ④
- 6 Potravinu určené ke zpracování rozkrájejte. Jeden nebo dva kousky pak vhodte do plnicího hrdla.
- 7 Spusťte robot a rovnoměrným tlakem posunujte tlačidlo dolů - **do plnicího hrdla nikdy nestrkejte prsty**. Teprve až zpracovávané kousky zcela odšťavníte, přidejte další.
- 8 Po zpracování poslední várky nechte odstředivku běžet asi 20 sekund naprázdno, čímž získáte všechn džus zachycený v sítku.

- rady**
- Používejte čerstvé a pevné ovoce a zeleninu.
 - Šťávy získané odstředivkou z citrusového ovoce jsou hořké, protože se při zpracování dostane do džusu slupka i dužina. K tomuto účelu proto použijte lis na citrusové plody.



návod k čištění naleznete na str. 16

čištění a servis

čištění

- Před čištěním spotřebič vždy vypněte a zástrčku vytáhněte ze zásuvky.
- Hnací jednotka, šňůra a zástrčka nesmí přijít do styku s vodou.
- Pozor: se sekacími noži a kotouči zacházejte opatrně- jsou velmi ostré.
- Některé potraviny mohou zabarvit plastové součásti. Jde o naprosto normální jev, který tyto součásti nepoškodí a který žádným způsobem neovlivní chuť připravovaných pokrmů. Zabarvení se zbavíte tak, že postižené místo třete hadříkem namočeným v rostlinném oleji.
- Jednotlivé součásti spotřebiče se nesmí mýt v myčce na nádobí.

- hnací jednotka/robot
- Otřete navlhčeným hadříkem, a pak vysušte.
 - Nikdy nepoužívejte drsných čisticích prostředků a spotřebič neponořujte do vody.
- mixér
- 1 Naplňte teplou vodou, upevněte víko a zátku a na 20 - 30 sekund spusťte na maximální rychlost.
 - 2 Vyprázdněte a vypláchněte. Pokud není mixér stále řádně umyt, použijte štětku na nádobí.
 - 3 Vytřete a nechte na vzduchu uschnout.
- Nenechávejte mixér odmočit ve vodě. A ani nenechávejte vodu uvnitř mixéru.
- ostatní příslušenství
- Umyjte v ruce a do sucha utřete.

servis a služby zákazníkům

- Spotřebič používejte **pouze** k výrobcem doporučeným účelům.
- V případě poškození přípojné šňůry, může její výměnu z bezpečnostních důvodů provést pouze firma KENWOOD nebo firmou KENWOOD autorizovaná opravna.

Pokud potřebujete pomoc s:

- použitím spotřebiče
- objednáním nového příslušenství
- servisem a opravami,
volejte firmu, u níž jste spotřebič zakoupili.

recepty

zimní polévka

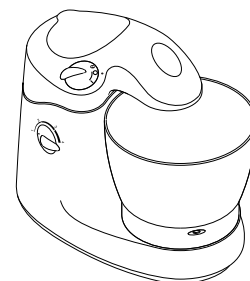
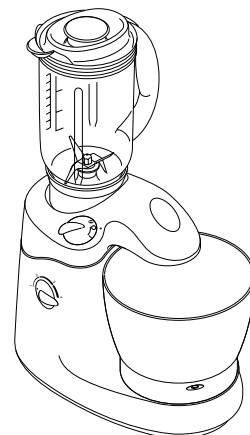
- přísady**
- mrkev, brambory a cibule: 16 dvoucentimetrových kostek každé zeleniny
 - vývary ze šunky
 - 100g čočky, propláchnuté
 - 250ml zeleninového vývaru
 - 400g konzervovaných sekaných rajčat
 - sůl a pepř
 - 200g vařené šunky (kýta) nakrájené na centimetrové kostičky

- postup**
- 1 Do **mixéru** vhodíme nejprve mrkev, pak brambory a nakonec cibuli.
 - 2 Přidáme vývar ze šunky, tak aby dosahoval ke značce 1 litru.
 - 3 Mixujeme maximálně 10 sekund.
 - 4 Nalejeme do kastrolu. Přidáme čočku, rajčata a zeleninový vývar a ochutíme.
 - 5 Za stálého míchání přivedeme do varu. Za pravidelného promíchání necháme bublat na mírném ohni asi hodinu, až jsou všechny příměsi uvařené.
 - 6 Přidáme kostičky šunky a 5 - 10 minut řádně prohřejeme. Okamžitě podáváme.

bílý chléb - bochník nebo housky

- přísady**
- 500g mouky
 - 1 lžička soli
 - 15g sádla
 - 15g čerstvých kvasnic; nebo 2 lžičky sušených kvasnic + 1 lžička cukru
 - 300ml vody teplé 43°C. Použijte teploměr nebo nalejte 100ml vařící vody do 200ml vody studené.
 - **V žádném případě nesmíte překročit maximální množství uvedené na str. 2.**

- postup**
- 1 **sušené kvasnice** (druh, který se musí rozpustit v tekutině): sušené kvasnice nasypane do misky s teplou vodou, přidáme cukr a necháme stát 5 - 10 minut, nebo tak dlouho, až se na směsi objeví pěna.
čerstvé kvasnice: rozdrobíme do mouky.
jiné druhy kvasnic: řiďte se doporučením výrobce.
 - 2 Tekutiny nalejeme do **mísy**. Přidáme mouku (s rozdrobenými čerstvými kvasnicemi, pokud je používáme), sůl a sádlo.
 - 3 Do robotu namontujeme **hnětače** a pak i mísu.
 - 4 Spustíme a postupně zrychlujeme běh na maximální rychlost.
 - 5 Pokračujeme v hnětení, až vznikne na pohled elastické **těsto-robot nesmí bez přestávky běžet déle než 10 minut - hrozí přehřátí**.
 - 6 Těsto přendáme buď do promaštěného igelitového pytlíku nebo do mísy, kterou přikryjeme utěrkou, a necháme v teple kynout, až se jeho objem zdvojnásobí.
 - 7 Vykynuté těsto položíme na moukou lehce posypaný váleček. Ručně ho asi 2 - 3 minuty hněteme, abychom ho zbavili vzduchu. Toto hnětení musíte provést ručně, protože takto velký objem těsta by mohl poškodit robot.
 - 8 Z těsta vytvarujeme bochník nebo 15 housek, které položíme na vymaštěné plechy a necháme v teple dokynout, až se jejich objem opět zdvojnásobí.
 - 9 Pečeme v předehřáté horké troubě o teplotě 230°C asi 20 - 25 minut (bochník) nebo 10 - 15 minut (housky).
 - 10 Řádně upečené bochníky a housky musí při poklepu zespodu znít dutě.



bevezetés

Az Ön által kiválasztott Kenwood robotgép hű konyhai segítőtárs. Akár kenyeret vagy felfújtat készít, akár habcsókot vagy süteménytészta kever, a Kenwood robotgép megkönnyíti munkáját. A készülékhez csatlakoztatható változatos tartozékok pedig még tovább bővítik a felhasználási lehetőségeket.

Az alapkészlet tartalma

	KM120 Cuisine Solo	KM150 Cuisine három gép egyben	KM180 Cuisine három gép egyben plus
keverés			
keverő-edény	✓	✓	✓
habverő	✓	✓	✓
dagasztókarok	✓	✓	✓
tésztakeverő	✓	✓	✓
turmixolás			
turmixoló	x	✓	✓
feldolgozás			
feldolgozó-edény, fedél és tömörudak	x	✓	✓
vágókés	x	✓	✓
3 szeletelő/reszelő/aprító lap	x	✓	✓
citrusfacsaró	x	x	✓
gyümölcscentrifuga	x	x	✓
műanyag kanál	✓	✓	✓
védőhuzat	x	x	x

a Kenwood robotgép használata

Az alapkészlethez mellékelt tartozékokról lásd a túloidalon levő tájékoztatót (Az alapkészlet tartalma)

első a biztonság

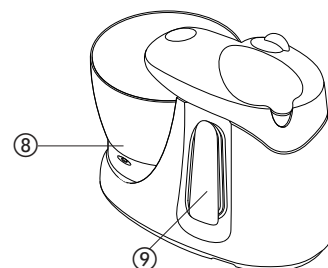
- Soha ne nyúljon a robotgép vagy a tartozékok mozgó alkatrészeihez.
- A kések és vágólapok rendkívül élesek, ezért mindig óvatosan kezelje őket.
- Működés közben soha ne hagyja magára a robotgépet.
- Ha a robotgép megsérül, ne használja tovább. Az újbóli bekapcsolás előtt szakemberrel ellenőriztesse a készüléket, és ha szükséges, javíttassa meg (l. 25. oldal, javíttatás).
- Csak a gyártó által jóváhagyott tartozékokat használjon. Egyszerre mindig csak egy tartozékot csatlakoztasson a készülékhez (kivételek a dagasztókar).
- A készülék csak háztartási célokra alkalmas.
- Soha ne lépje túl az egyszerre feldolgozható maximális mennyiségeket (l. 20. oldal).
- A keverőlapátok és a tartozékok cseréje, valamint a készülék tisztítása előtt mindig kapcsolja ki a robotgépet, és a hálózati vezetékét is húzza ki a konnektorból. Használat után is áramtalanítsa a készüléket.
- Gyermek vagy fizikai támogatásra szoruló (idősek, betegek) csak felügyelet mellett használhatják a készüléket.
- Soha ne engedje, hogy kisgyermek játsszanak a készülékkel.

csatlakoztatás

- A falidugasz csatlakoztatása előtt ellenőrizze, hogy a hálózati feszültség megegyezik-e a robotgép alján feltüntetett üzemi feszültséggel.
- A készülék megfelel az Európai Közösség 89/336/EEC sz. előírásának.

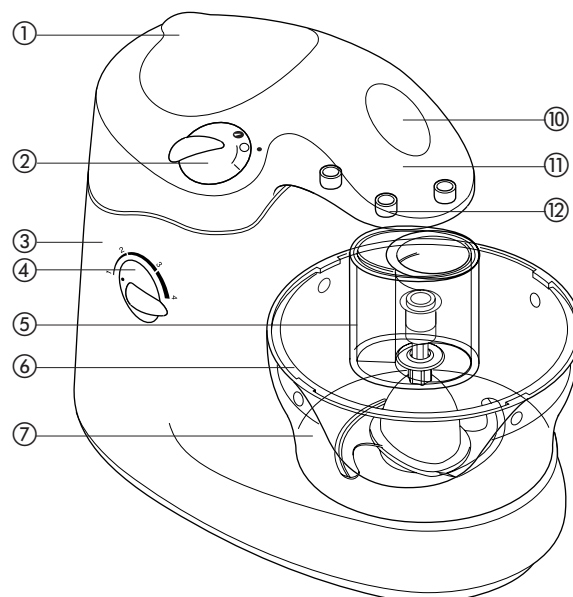
az első használat előtt...

- 1 Távolítson el minden csomagolóanyagot. A vágókés műanyag védőburkát is vegye le és dobja ki, mert erre csak a gyártás és szállítás során van szükség.
- 2 Mossa el az alkatrészeket (l. 25. oldal, a készülék tisztítása).
- 3 A lelógó hálózati vezetékét tekerje fel a robotgép hátoldalán levő dobra.



a Kenwood konyhai robotgép részei

- ① a meghajtó csomagtartó fedele (a tartozékok csatlakoztatásához)
- ② főkapcsoló és a keverőgém kioldója
- ③ géptest
- ④ sebességválasztó kapcsoló
- ⑤ tömőrudak
- ⑥ feldolgozó edény fedele
- ⑦ feldolgozó edény
- ⑧ keverő-edény
- ⑨ vezeték tároló dob
- ⑩ keverő kioldó gomb
- ⑪ keverőgém
- ⑫ keverő csatlakozók



a robotgép tartozékai
keverők

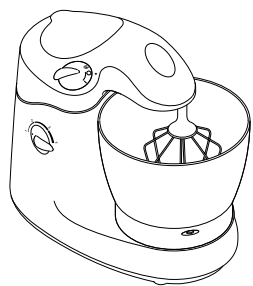
habverő 20. oldal
dagasztókar 20. oldal
tésztakeverő 20. oldal
turmixoló 21. oldal

feldolgozó eszközök

vágókés 22. oldal
szeletelő/reszelő/aprító 23. oldal
citrusfacsaró 24. oldal
gyümölcscentrifuga 24. oldal
műanyag kanál
védőhuzat cikkszám 492239

☞ Az alapsomagban nem mellékelt tartozékok külön is megvásárolhatók. Forduljon a helyi KENWOOD javítóvállalathoz.

- A feldolgozó eszközök ugyanazzal a feldolgozó edénnyel működnek. Ezért a robotgéphez csak egy ilyen edény tartozik - akkor is, ha több feldolgozó eszköz található a dobozban.



a keverőgép

A keverőgépet tészták, sütemények, kenyérfélék vagy habcsók készítéséhez használja.

a csatlakoztatható keverők

- habverő ① tojásfehérje, tejszín felveréséhez; puding- és tésztaapok, valamint margarin és cukor kikeveréséhez (ehhez szobahőmérsékletű kockamargarint használjon); tojás és piskótatészta összekeveréséhez.
- dagasztókar ② mindenféle kelttészta dagasztásához. A két dagasztókart mindig együtt használja.
- tésztakeverő ③ liszt vagy gyümölcs bekeveréséhez; hájastészta készítéséhez.

- fontos megjegyzések
- Ne használja a keverőgépet egyhuzamban 10 percnél tovább, mert a motor túlmelegszik.
 - Sűrű keverékek károsíthatják a habverőt, ezért ezekhez ne használja.
 - Tisztítás után mindig helyezze vissza a keverőedényt, mert ezzel védi a készüléket a szennyeződésektől.

a keverőgép használata

- 1 A főkapcsolót állítsa a kioldás 'I' állásra, és hajtsa fel a keverőgémet ①
- 2 Tegye az összetevőket a keverő-edénybe, majd tegye az edényt a géptestre. Ha az edény nem illeszkedik tökéletesen, kissé fordítsa el, hogy a helyére csússzon.
- 3 Válassza ki a használni kívánt keverőt, és csúsztassa a keverőgémen levő csatlakozóba - szükség esetén kissé fordítsa el a keverőt. A keverőkön, illetve a csatlakozókon színkódok jelzik, hogy melyik keverőt melyik csatlakozóba kell illeszteni ②
- A két dagasztókart mindig együtt használja, a többi keverőt azonban csak külön-külön csatlakoztassa a géphez.
- 4 Hajtsa le a keverőgémet. A gém rögzülését a zárszerkezet kattánása jelzi. Ha a keverőgém nincs teljesen lehajtva, **a készülék nem indul el.**
- 5 Állítsa be a kívánt keverési sebességet ③
- 6 A hálózati dugaszt csatlakoztassa a konnektorba, és a főkapcsolót fordítsa 'I' állásba ④
- 7 A motor kikapcsolásához a főkapcsolót fordítsa vissza a 'O' állásba.

- a keverők kiemelése
- 1 Kapcsolja ki a motort.
 - 2 Hajtsa fel a keverőgémet ①
 - 3 Nyomja meg a keverő kioldó gombot ⑤
 - Először mindig húzza ki a keverőt, és csak **azután** vegye le a keverő-edényt.

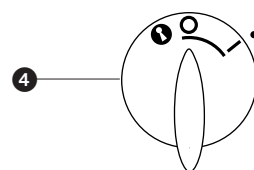
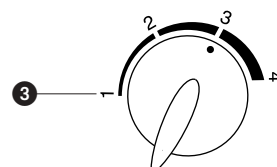
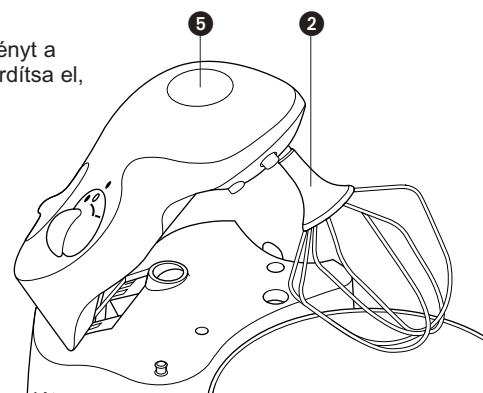
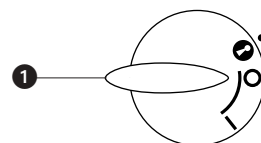
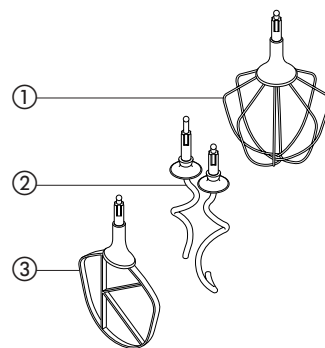
- megjegyzések
- Ha keverő-edényben levő összetevők (pl. tejszín vagy liszt) kifröccsenhetnek, mindig alacsony sebességen kezdje a keverést, és ha szükséges, fokozatosan növelje a sebességet.
 - Ha a robotgép motorja erőlködik, növelje a sebességet.

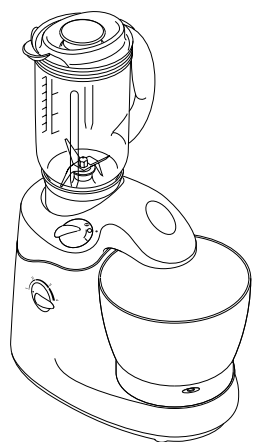
a sebesség megválasztása

- A helyes sebesség a feladattól függ:**
- **habverés** gyors
 - **dagasztás** gyors
 - **liszt vagy gyümölcsök bekeverése** lassú-közepes
 - **tésztakeverés** lassú-közepes
 - **turmixoló** gyors
 - **vágókés** közepes-gyors
 - **szeletelő/reszelő/aprító** közepes-gyors
 - **citrusfacsaró** lassú-közepes
 - **gyümölcscentrifuga** gyors

- maximális mennyiségek
- **tojásfehérje** 8
 - **turmixoló** 1 liter
 - **piskótatészta** teljes tömeg 1,2kg
 - **gyümölcskenyér** teljes tömeg 1,75kg
 - **egyéb süteménytészta** max. 300g lisztből
 - **kenyértészta** max. 1kg lisztből - a tészta folyadéktartalma azonban legalább 5dl legyen. Ha a tészta ennél szárazabb, két adagban dolgozza fel, mert különben túlterheli a készüléket.
 - **hús (aprításkor)** 340 g

a készülék **tisztítása** - 25. oldal





a turmixoló

A turmixoló levesek, italok, pástétomok és majonéz kikeverésére, zsemle- és kekszmorzsza készítésére, valamint diófélék darálására alkalmas.

- ① a töltőnyílás kupakja. A kupak levételével turmixolás közben is betöltheti a hozzávalókat (pl. majonéz készítésnél az olajat, vagy a zsemlemorzsához való kenyeret).
- ② fedél
- ③ turmixoló edény

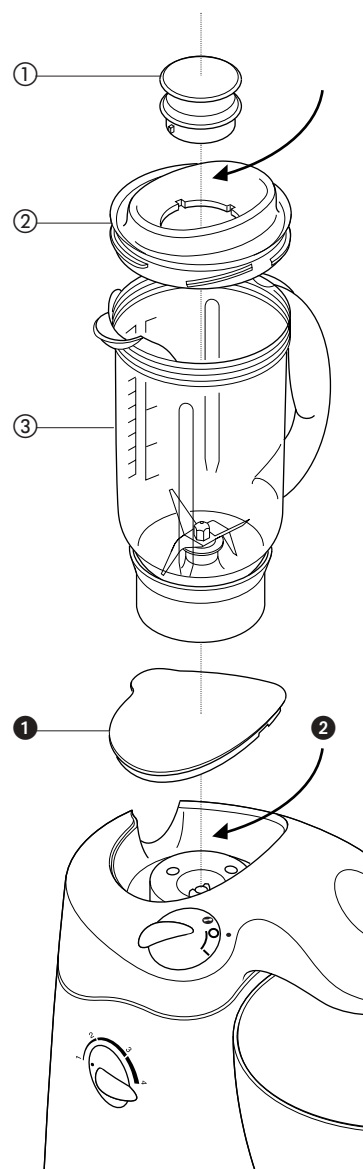
- első a biztonság
- Amíg a forgókés mozgásban van, sem a turmixoló edényt, sem a fedelet nem szabad levenni.
 - Soha ne turmixoljon forró folyadékokat.

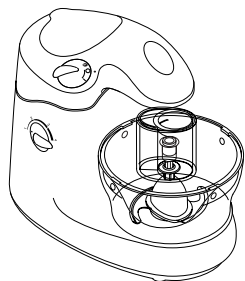
- fontos megjegyzések
- Ne használja a turmixolót egyhuzamban 1 percnél tovább, mert a motor túlmelegszik. A nagy sebességgel forgó vágókés minden ételt 1 percen belül képes feldolgozni.
 - A száraz összetevőket ne tegye előre a turmixoló edénybe. Előbb kapcsolja be a gépet, és a kockára vágott darabokat a töltőnyíláson keresztül dobja a forgásban levő késre.
 - Egyes fűszerek - pl. szegfűszeg, kapor, köménymag - károsítják a turmixoló edény műanyagát, ezért feldolgozásukat kerülni kell.
 - A turmixoló edény étel tárolására nem alkalmas. Az összetevőket csak közvetlenül a feldolgozás előtt tegye az edénybe, az elkészült ételt pedig azonnal öntse át másik edénybe.
 - A turmixolóval egyszerre legfeljebb 1 liter étel dolgozható fel. Soha ne lépje túl ezt az értéket.

a turmixoló használata

- 1 Hajtsa le a keverőgémet. A gém rögzülését a zárszerkezet kattánása jelzi.
- 2 Vegye le a meghajtó csomak fedelét ①
- 3 A feldolgozandó ételt tegye a turmixoló edénybe.
- 4 Tegye fel az edény fedelét, és a töltőnyílás kupakját is illessze a helyére.
- 5 A turmixoló edényt illessze a meghajtó csomakra, és fordítsa el úgy, hogy a géptesthez rögzüljön ②
- 6 Kapcsolja be a készüléket.

- megjegyzés
- Majonéz készítésekor az olaj kivételével öntsön minden hozzávalót a turmixoló edénybe, és kapcsolja be a gépet. Vegye le a töltőnyílás kupakját, és a nyíláson át - folyamatos turmixolás mellett - lassan és egyenletesen adja hozzá az olajat.





a feldolgozó egység

A feldolgozó egység aprításra, darabolásra, szeletelésre és reszelésre használható.

vágókés

A vágókést nyers és főtt húsok, főtt tojás, zöldségek, diófélék feldarabolására használhatja, de alkalmas pástétomok, mártások, illetve zsemlemorzsa és kekszaprólék készítésére is. Ezen kívül linzertészta és tésztareszelék készítésére is használható.

- ① kis és nagyméretű tömőrúd
- ② feldolgozó edény fedele
- ③ vágókés
- ④ feldolgozó edény

első a biztonság • **A feldolgozó edény fedelét soha ne vegye le addig, amíg a vágókés teljesen meg nem állt.**

- A vágókés rendkívül éles, ezért mindig óvatosan nyúljon hozzá. A készülék összeszerelésekor, illetve tisztításkor mindig a felső forgórésznél, az élektől távol fogja meg a kést.
- A feldolgozó edény tartalmának kiöntése előtt mindig vegye ki a vágókést.

- fontos megjegyzés
- Ne használja a vágókést jégkocka vagy kemény ételek (pl. fűszerek) felaprítására, mert ez károsíthatja a készüléket.
 - Szintén túlterhelheti a motort, ha a vágókéssel sűrű masszát (pl. kelt tésztát) kever. Az ilyen ételekhez használja a dagasztókarokat.
 - A feldolgozó edény folyadékok keverésére nem alkalmas, mert a fedél nem zár vízmentesen. Folyadékok keveréséhez használja a turmixolót.
 - Nyers hús darabolása közben a robotgép beremeghet, sőt kissé el is mozdulhat. Ez normális jelenség, és nem jelenti a készülék hibáját.

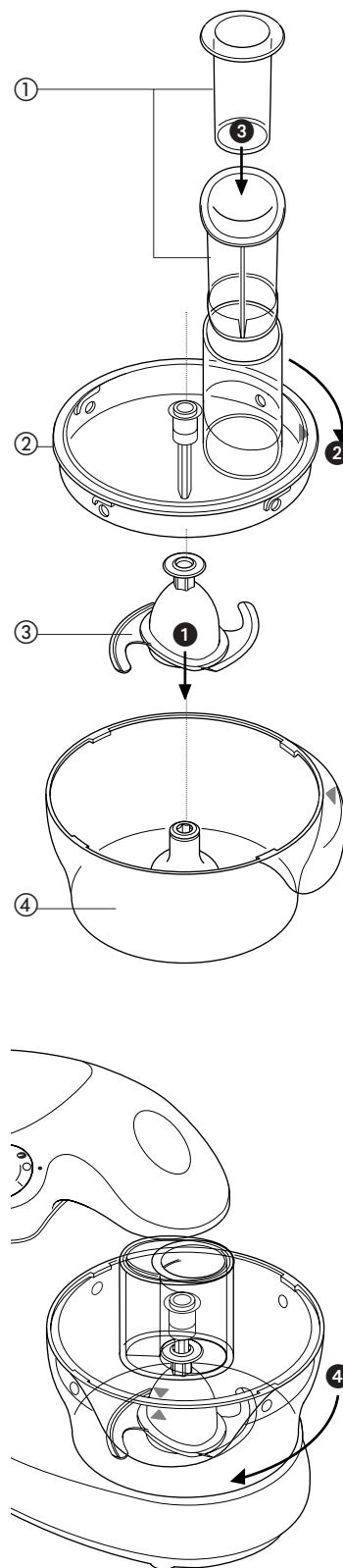
a vágókés használata

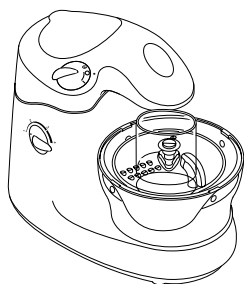
- 1 Hajtsa le a keverőgémet. A gémm rögzülését halk kattanás jelzi.
- 2 Helyezze a vágókést a feldolgozó edénybe ①
- 3 Vágja fel az ételt, és a darabokat tegye a feldolgozó edénybe. Ügyeljen arra, hogy a vágókés tengelyén levő nyílásba ne kerüljön étel.
- 4 Helyezze fel a feldolgozó edény fedelét úgy, hogy ha az edény fogantyúja jobbra esik, a fedélen levő adagoló tölcser az edény háta felé legyen. Forgassa el a fedelet az óramutató járásának irányában ② mindaddig, amíg az edényen, illetve a fedélen levő nyilak egymás mellé kerülnek.
- Ha a fedél nem illeszkedik jól a vágókés tengelyére, vegye le a fedelet, fordítsa el kissé a kést, és próbálkozzék újból.
- 5 A tömőrudakat csúsztassa az adagoló tölcserbe ③
- 6 Helyezze a feldolgozó edényt a gépre, úgy, hogy a fogantyú hátrafelé nézzen, majd fordítsa el az óramutató járásának irányában mindaddig, amíg a helyére pattan ④
- 7 Kapcsolja be a gépet, és várja meg, amíg az étel a kívánt állagú lesz.

- megjegyzések
- Feldolgozás előtt vágja fel az ételt. A húsokat, zöldségeket, kenyérféléket és egyéb, hasonló állagú ételeket vágja kb. 2 cm-es kockákra. Kéksz feldolgozásakor a darabokra tört kekszet az adagoló tölcseren át kell a már forgó késre szórni.
 - Süteménytészta készítésekor használjon hűtőszekrényben tárolt, kockára vágott vaját vagy margarint. Adja a zsiradékot a liszthez, és keverje addig, amíg zsemlemorzsa állagú lesz. Folytassa a keverést, és a kés forgása közben - az adagoló tölcseren át - fokozatosan öntsön vizet a tésztahoz. Amikor a tészta kezd összeállni, kapcsolja ki a gépet.
 - Egyes ételek feldolgozása közben a keverék a fedél pereme mentén lerakódhat. Ilyenkor állítsa meg a gépet, kanalazza vissza a lerakódott ételt az edénybe, és folytassa a keverést.
 - Ügyeljen arra, hogy időben kapcsolja ki a gépet, és ne dolgozza fel túlságosan az összetevőket.

- maximális mennyiségek
- **süteménytészta** 300 g lisztből
 - **hús** 340 g

a készülék **tisztítása** - 25. oldal





a feldolgozó egység folytatás...

szeletelő/reszelő/aprító

A szeletelő/reszelő/aprító gyümölcsök, zöldségek szeletelésére, sajtreszelésre, illetve gyümölcsök és zöldségek aprítására (pl. hasábburgonya készítésére) használható.

- ① kis és nagyméretű tömörűd
- ② adagoló tölsér
- ③ feldolgozó edény fedele
- ④ feldolgozó edény
- mellékelt vágólapok ⑤ vastagon szeletelő/durván reszelő vágólap
- ⑥ vékonyan szeletelő/finoman reszelő vágólap
- ⑦ vékony hasábburgonya szeletelő
- külön rendelhető vágólapok ⑧ extra durva reszelőlap, cikkszám: 639021
- ⑨ krumplinyomó, cikkszám: 639150
- ⑩ normál hasábburgonya szeletelő, cikkszám: 639083

☛ A külön rendelhető vágólapokat a helyi Kenwood képviselőnél lehet beszerezni.

a vágólapok kiválasztása

szeletelő/reszelő lapok

Az ⑤ és ⑥ lapok megfordíthatók: egyik oldaluk szeletel, a másik reszel. A szeletelő éllel sajtokat, répát, burgonyát, káposztát, uborkát, cukkínit, céklát vagy hagymát szeletelhet. A reszelő éllel sajt, répa, burgonya, illetve ezekhez hasonló állagú élelmiszerek reszelésére alkalmas. *Mindig a használni kívánt élnek felfelé néznie.*

vékony hasábburgonya szeletelő ⑦ Extra vékony hasábburgonya készítésére alkalmas. Emellett - köretekhez, salátákhoz és ragukhoz - kemény gyümölcsöket és zöldségeket is felapríthat vele (pl. sárgarépát, fehérrépát, cukkínit vagy uborkát).

extra durva reszelőlap

⑧ Sajt és répa durva reszelésére használható.

krumplinyomó

⑨ Krumpliszelet készítéséhez, illetve parmezán sajt reszeléséhez ajánlott.

normál hasábburgonya szeletelő

⑩ Ezzel a lappal hasábburgonyát készíthet, de használhatja kemény gyümölcsök és zöldségek (pl. fehérrépa, uborka) feldarabolásához is, salátákhoz vagy mártásba meríteni.

első a biztonság

- A feldolgozó edény fedelét soha ne vegye le addig, amíg a vágólap teljesen meg nem állt.
- A vágólapok rendkívül élesek, ezért mindig óvatosan kezelje őket.
- Ügyeljen arra, hogy a feldolgozó edényben összegyűlt étel szintje ne érje el a vágólapot. Rendszeresen ürítse ki az edényt.

a szeletelő/reszelő/aprító használata

- 1 Hajtsa le a keverőgémet. A gém rögzülését halk kattanás jelzi.
- 2 Helyezze a feldolgozó edényt a gépre, úgy, hogy a fogantyú hátrafelé nézzen, majd fordítsa el az óramutató járásának irányában mindaddig, amíg a helyére pattan ①
- 3 A használni kívánt vágólapot tolja a fedél aljából kilógó tengelyre. A választott élnek felfelé kell néznie ②
- 4 Helyezze fel a feldolgozó edény fedelét úgy, hogy az adagoló tölsér a jobb oldalon legyen, majd forgassa el a fedelet az óramutató járásának irányában mindaddig, amíg az edényen, illetve a fedélen levő nyilak egymás mellé kerülnek.
- 5 Válassza ki a használni kívánt tömörűdat. Egy-egy darab étel vagy vékony hozzávalók feldolgozásához használja a vékony tömörűdat.
- 6 Helyezze a vastag tömörűdat a tölsérbe, és ezen keresztül nyomja le az ételt ③
- 7 Helyezze a két tömörűdat csúsztassa egymásba, és együtt használja őket ④
- 8 Tegye a feldolgozandó ételt az adagoló tölsérbe.
- 9 Kapcsolja be a készüléket, és a tömörűdallal nyomja az ételt a tölsérbe. **Soha ne nyúljon kézzel az adagoló tölsérbe!**

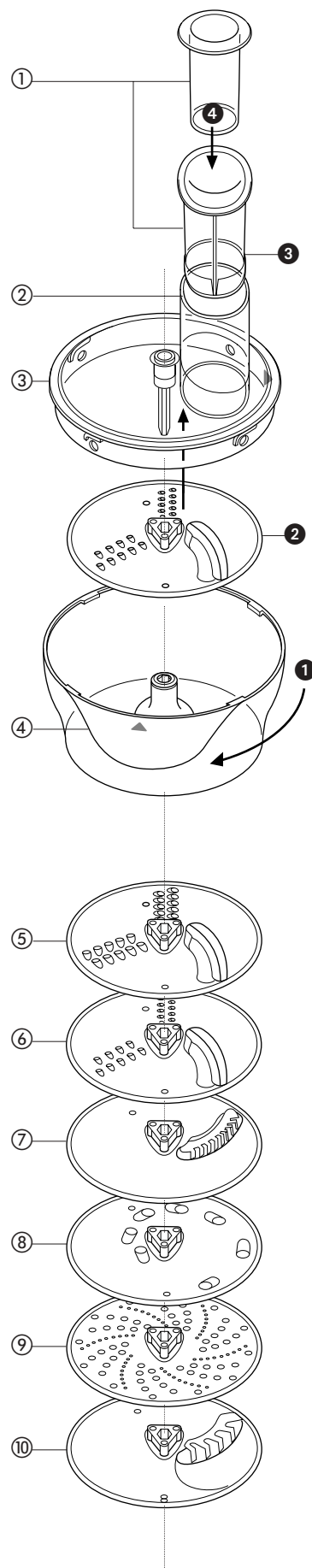
a vékony tömörűd használata

a vastag tömörűd használata

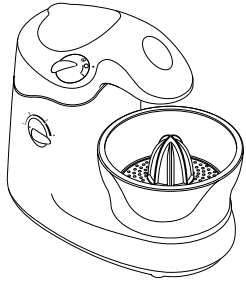
megjegyzések

- Mindig friss hozzávalókat használjon.
- Feldolgozás előtt vágja fel az ételt úgy, hogy a darabok teljes szélességében kitöltsék a vastag adagoló tölsért, mert így az étel nem kerül a tölsér és a vágólap közé. Ha erre nincs lehetőség, használja a vékony tömörűdat.
- Ügyeljen azonban arra, hogy ne vágja túl apróra az ételt.
- A hasábburgonya szeletelő lapoknál a vékony ételdarabokat függőlegesen tegye az adagoló tölsérbe.
- Ha szeleteléskor, illetve reszeléskor kisebb szeletekre van szüksége, a feldolgozandó ételt függőlegesen helyezze az adagoló tölsérbe. Nagyobb darabokhoz vízszintesen tegye be az ételt.
- A vágólapon vagy a felszeletelt, illetve lereszelt étel között mindig maradjon néhány feldolgozatlan darab.

a készülék tisztítása - 25. oldal



a citrusfacsaró és a gyümölcscentrifuga - MA110 készlet



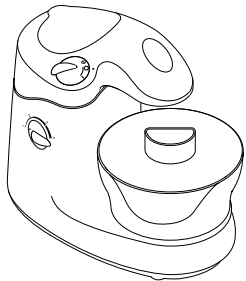
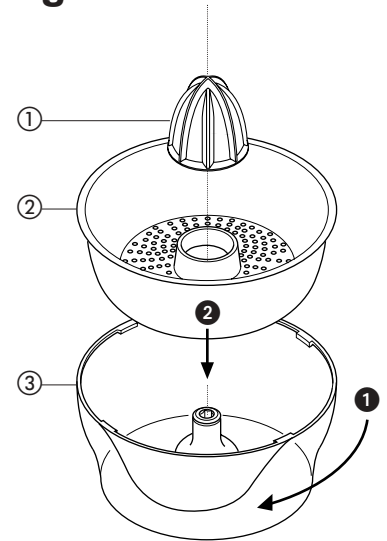
citrusfacsaró

A citrusfacsaró citrusfélék (pl. narancs, citrom, grape fruit) levének kicsavarására alkalmas.

- ① prés
- ② szűrő
- ③ feldolgozó edény

a citrusfacsaró használata

- 1 Hajtsa le a keverőgémet. A gém rögzülését a zárszerkezet kattanása jelzi.
- 2 Tegye a gyűjtő edényt a géptestre (a keverőgém alá) úgy, hogy a fogantyú hátrafelé nézzen. Az óramutató járásának irányában elfordítva rögzítse az edényt a géptestre ①
- 3 Illessze a szűrőt az edénybe, és helyezze rá a prést ②
- 4 Kapcsolja be a gépet, és a félbevágott gyümölcsöt nyomja a présre.



gyümölcscentrifuga

A gyümölcscentrifugával különböző zöldségek és gyümölcsök levét nyerheti ki.

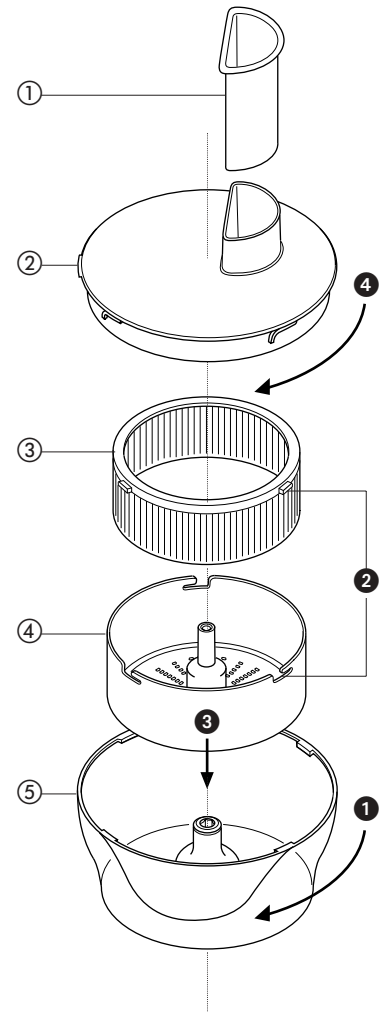
- ① tömörűd
- ② fedél
- ③ szűrő
- ④ belső edény
- ⑤ feldolgozó edény

első a biztonság fontos megjegyzések

- A fedél nélkül soha ne használja a gyümölcscentrifugát.
- Ha centrifugálás közben a gép remegni kezd, kapcsolja ki, és üritse ki a szűrőt. (A remegést az okozza, hogy a gyümölcspép egyenetlenül oszlik el a szűrőben.)
- A gyümölcscentrifugával egyszerre legfeljebb 450g zöldséget vagy gyümölcsöt dolgozzon fel, és rendszeresen üritse ki a szűrőt és a belső edényt is.
- Centrifugálás előtt az apró és kemény magokat (pl. paprika, dinnye, szilva magja) vegye ki a zöldségből vagy a gyümölcsből. A vastag héjú gyümölcsökről (pl. dinnye, ananász) előbb el kell távolítani a héjat. Alma vagy körte feldolgozásánál azonban nincs szükség sem hámozásra, sem a magház eltávolítására.

a gyümölcscentrifuga használata

- 1 Hajtsa le a keverőgémet. A gém rögzülését a zárszerkezet kattanása jelzi.
- 2 Tegye a gyűjtő edényt a géptestre (a keverőgém alá) úgy, hogy a fogantyú hátrafelé nézzen. Az óramutató járásának irányában elfordítva rögzítse az edényt a géptestre ①
- 3 Illessze a szűrőt a belső edénybe úgy, hogy a szűrő karmai a belső edény peremén kiképzett mélyedésekbe rögzüljenek ②
- 4 Tegye a belső edényt a gyűjtő edénybe ③
- 5 Illessze a fedelet az edényre úgy, hogy az adagoló tölcser a jobb oldalon legyen, majd az óramutató járásának irányában elfordítva rögzítse az edényre ④
- 6 A feldolgozandó ételt vágja darabokra, majd helyezzen egy-két darabot az adagoló tölcserbe.
- 7 Kapcsolja be a készüléket, és a tömörűddal egyenletesen nyomja a darabokat a tölcserbe. **Soha ne nyúljon kézzel az adagoló tölcserbe!** Várja meg, amíg a centrifuga teljesen feldolgozza az ételt, és csak ezután tegyen újabb darabot a tölcserbe.
- 8 Ha már minden ételt feldolgozott, további 20 másodpercig hagyja a gépet bekapcsolva, mert ez megnöveli a kinyert lé mennyiségét.



megjegyzések

- Mindig kemény, friss gyümölcsöt és zöldséget használjon.
- Citrusféléknél a hámozás után is megmaradó belső fehér héj és a gerezdek közötti rostok miatt a kinyert lé habos és keserű lesz. Javasoljuk, hogy a citrusfélékhez a centrifuga helyett a citrusfacsarót használja.

a készülék **tisztítása** - 25. oldal

tisztítás és javítás

a készülék tisztítása

- Tisztítás előtt mindig húzza ki a hálózati vezetékét a konnektorból.
- A géptestet, a hálózati vezetékét és a dugót óvja a nedvességtől.
- A vágókéseket és szeletelő lapokat mindig óvatosan kezelje, mert rendkívül élesek.
- Egyes ételektől a készülék műanyag alkatrészei elszíneződhetnek, ez azonban nem károsítja a műanyagot, és a feldolgozott ételek ízét sem befolyásolja. Az ilyen elszíneződések étolajba mártott papírkendővel dörzsölve legtöbbször eltávolíthatók.
- Az alkatrészeket ne tisztítsa mosogatógépben.

géptest/keverő • Először nedves, majd száraz ruhával törölje át.

- Ne használjon súrolószert, és soha ne merítse vízbe.

- turmixoló
- 1 Töltsön meleg vizet a turmixoló edénybe, tegye fel a fedelet és a töltőnyílás kupakját, majd 20-30 másodpercre kapcsolja a motort maximális sebességre.
 - 2 Öntse ki a vizet, és öblítse el az edényt. A makacs szennyeződéseket mosogatókefével távolíthatja el.
 - 3 Száraz ruhával törölje el az edényt, és hagyja meleg helyen, hogy teljesen kiszáradjon.
- A turmixoló edényt soha ne áztassa be, és az edényben se hagyja állni a vizet.

a többi alkatrész • Mosogassa el, majd alaposan szárítsa meg.

javíttatás és vevőszolgálat

- A készüléket **csak** rendeltetésszerűen szabad használni.
- Ha a hálózati vezeték megsérül, azonnal ki kell cserélni. A javítást - biztonsági okokból - csak a KENWOOD által megbízott javítóvállalat szakembere végezheti el.

Ha további segítségre van szüksége:

- a készülék használatával
- külön tartozékok rendelésével
- a készülék karbantartásával vagy javításával kapcsolatban, forduljon ahhoz az üzlethez, ahol a készüléket vásárolta.

receptek

téli meleg leves

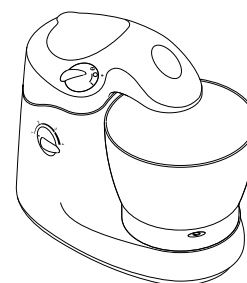
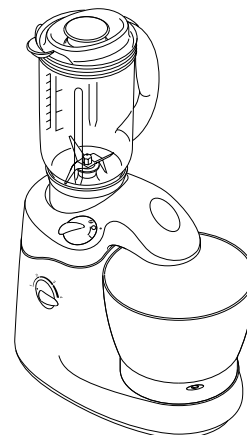
- hozzávalók**
- 2cm-es kockákra vágott répa, burgonya és hagyma (mindegyikből 16 kocka)
 - főtt sonka leve
 - 100g vörös lencse (megmosva)
 - 250ml zöldségleves-lé
 - 400g-os vágott paradicsom konzerv
 - só és bors
 - 200g főtt sonka, 1cm-es kockákra vágva

- elkészítés**
- 1 Tegyük először a kockára vágott répát a **turmixolóba**, majd a burgonyát és legvégül a hagymát is öntsük hozzá.
 - 2 Adjunk hozzá annyi húslét, hogy a folyadék szintje az 1 literes jelzésnél legyen.
 - 3 Turmixoljuk kb. 10 másodpercig (de ne tovább).
 - 4 Az összeturmixolt összetevőket öntsük egy lábosba, majd adjuk hozzá a lencsét, a paradicsomot, a zöldségleves-lét és a fűszereket.
 - 5 Folyamatos keverés közben forraljuk fel, és főzzük addig, amíg az összetevők megpuhulnak (kb. 1 óráig). Főzés közben rendszeresen keverjük meg az ételt.
 - 6 Adjuk hozzá a sonkadarabokat, és forraljuk további 5 - 10 percig. Az elkészült levest azonnal tálaljuk.

fehér kenyér/zsemle

- hozzávalók**
- 500g durva őrlésű liszt
 - 1 kávéskanál só
 - 15g zsír
 - 15 friss élesztő vagy 2 kávéskanál szárított élesztő és 1 kávéskanál porcukor
 - 300ml 43°C hőmérsékletű víz (használon hőmérőt, vagy adjon 100ml forrásban levő vizet 200ml hideg vízhez).
 - **soha ne lépje túl a robotgéppel egyszerűen feldolgozható maximális mennyiségeket** (2. oldal).

- elkészítés**
- 1 **szárított élesztővel:** töltsük a meleg vizet a keverő-edénybe. Szórjuk az élesztőt a vízbe, adjuk hozzá a cukrot, és hagyjuk állni 5 - 10 percig, amíg habos lesz.
friss élesztővel: a darabokra tört élesztőt keverjük a liszthez.
egyéb élesztők: kövessük a csomagoláson levő utasítást.
 - 2 Öntsük a folyadékot a **keverő-edénybe**, majd adjuk hozzá a lisztet (illetve, ha friss élesztőt használunk, az élesztővel kevert lisztet). Ezután tegyük bele a zsírt és a sót is.
 - 3 Illesszük a **dagasztókarokat** a keverőgémbe, majd tegyük a helyére a keverő-edényt is.
 - 4 Kapcsoljuk a gépet alacsony sebességfokozatra, majd fokozatosan kapcsoljunk maximális sebességre.
 - 5 Dagasszuk addig, amíg a tészta rugalmassá válik - **de ne használjuk a gépet egyhuzamban 10 percnél tovább, mert a motor túlmelegszik.**
 - 6 A tésztát tegyük zsírral kikent műanyag zacskóba vagy egy konyharuhával letakart edénybe, és meleg helyen hagyjuk kelni addig, amíg a tészta kb. kétszeresére dagad.
 - 7 A megkelt tésztát tegyük enyhén beliszteztett gyúródeszkára, és kézzel dagasszuk további 2-3 percig, hogy ne maradjon benne levegő. A megkelt tésztát ne dagasszuk a géppel, mert túlterhelheti a robotgép motorját.
 - 8 A tésztából formázzunk cipót vagy kb. 15 zsemlet, és tegyük zsírral kikent tepsibe. Tegyük a tepsit meleg helyre, és hagyjuk a tésztát tovább kelni, amíg újból kétszeresére dagad.
 - 9 A megkelt tésztát tegyük 230°C hőmérsékletű sütőbe. A cipót 20-25 percig, a zsemléket 10-15 percig süssük.
 - 10 A sütés végén kopogtassuk meg a cipó alját: ha üregesnek hangzik, a tészta valóban teljesen átsült, kivehetjük a sütőből.



wstęp

Twój malakser Kenwood pomoże Ci w licznych pracach kuchennych. Czy to będzie chleb, czy suflet; bezy czy tort - Kenwood ułatwi Ci pracę. A przy tak szerokim wyborze narzędzi jego wszechstronność jest praktycznie nieograniczona.

Zawartość zestawu

	KM120 Cuisine Solo	KM150 Cuisine 3 in 1	KM180 Cuisine 3 in 1 plus
ubijanie/zagniatanie			
miska do mieszania	✓	✓	✓
trzepaczka	✓	✓	✓
zagniatacze do ciasta	✓	✓	✓
mieszadło	✓	✓	✓
miksowanie			
mikser	x	✓	✓
obróbka żywności			
miska przystawki, pokrywa i popychacze	x	✓	✓
nóż	x	✓	✓
3 tarcze do krajania/siekania/frytek	x	✓	✓
sokownica do cytrusów	x	x	✓
sokowirówka	x	x	✓
szpatułka	✓	✓	✓
pokrowiec	x	x	x

poznaj swój malakser kuchenny Kenwood

prosimy się odnieść do wykazu zawartości kartonu na stronie obok

bezpieczeństwo

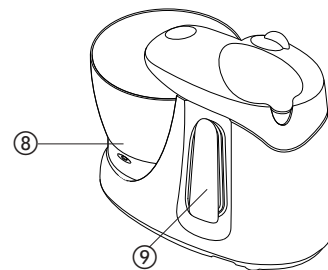
- Trzymaj palce z daleka od części ruchomych i założonych narzędzi.
- Obchodź się ostrożnie z ostrzami i tarczami tnącymi - są one nadzwyczaj ostre.
- Nigdy nie pozostawiaj włączonego urządzenia bez opieki.
- Nigdy nie pracuj na uszkodzonym malakserze. Sprawdź go w punkcie obsługi lub oddaj do naprawy - patrz str. 34.
- Nigdy nie używaj narzędzi nie autoryzowanych, ani też więcej, niż jednego narzędzia na raz (za wyjątkiem zagniatczy do ciasta).
- Malakser jest przeznaczony wyłącznie do użytku domowego.
- Nigdy nie przekraczaj ilości maksymalnych, podanych na str. 29.
- Wyłącz i wyjmij wtyczkę z gniazdka sieciowego przed zakładaniem lub zdejmowaniem narzędzi, po użyciu i przed czyszczeniem.
- Urządzenie nie jest przeznaczone do obsługi bez nadzoru przez małe dzieci i osoby niepełnosprawne.
- Nie pozwalaj, aby urządzeniem bawiły się dzieci.

przed włożeniem wtyczki do gniazdka

- Upewnij się, że napięcie sieci jest takie samo, co podane na tabliczce znamionowej pod spodem malaksera.
- Urządzenie jest zgodne z Dyrektywą EWG Nr. 89/336/EEC.

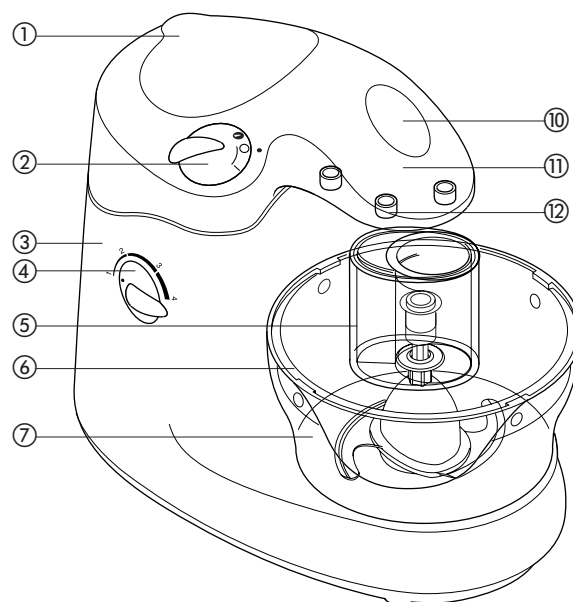
przed użyciem po raz pierwszy

- 1 Usuń wszystkie materiały opakowania włącznie z plastikowymi ochroniaczami brzeszczotów noża. Ochroniacze należy wyrzucić, gdyż służą one do zabezpieczenia ostrzy wyłącznie na czas produkcji i transportu.
- 2 Umyj części: patrz punkt "czyszczenie" na str. 34.
- 3 Owiń nadmiar sznura na zaczepach z tyłu malaksera.



poznaj swój malakser Kenwooda

- 1 pokrywa końcówki
- 2 włącznik/wyłącznik i podniesienie głowicy
- 3 zespół napędowy
- 4 regulacja prędkości
- 5 popychacze
- 6 pokrywa miski przystawki
- 7 miska przystawki
- 8 miska do mieszania
- 9 zaczep na nadmiar sznura
- 10 przycisk zwalniania narzędzia miksującego
- 11 głowica miksująca
- 12 gniazda na narzędzie miksujące



dostępne narzędzia
mikser

trzepaczka str. 29
zagniatacze do ciasta str. 29
mieszadło str. 29

mikser str. 30

narzędzia do obróbki żywności

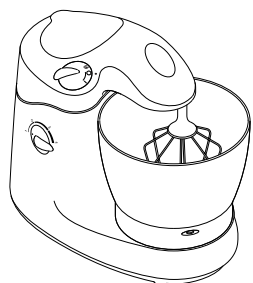
nóż strona 31
tarcze do krajania/siekania/frytek strona 32
sokownica do cytrusów strona 33
sokowirówka strona 33

szpatułka

pokrowiec część nr 492239

☛ Aby kupić narzędzie nie przewidziane w zestawie, prosimy się skontaktować z punktem usługowym KENWOODA.

- Narzędzia do obróbki żywności współpracują z tą samą miską, dlatego też do zestawu kilku narzędzi jest dołączona tylko jedna miska.

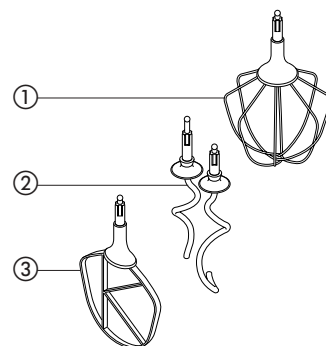


ubijanie/zagniatanie

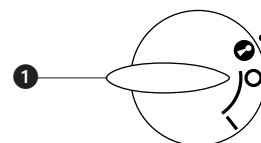
Używaj miski do robienia ciast słodkich, zagniatania chleba i ciasta kruchego oraz do ubijania bezów.

narzędzia i niektóre ich zastosowania

- trzepaczka ① do ubijania białek, śmietanki, budyniów, ciast metodą "wszystko od razu"; ucierania margaryny z cukrem (używaj margaryny w kostkach w temperaturze pokojowej); bicia jaj na biszkopty i keksy.
- zagniatacz do ciasta ② do wszystkich ciast drożdżowych. Używaj obu zagniataczy jednocześnie.
- mieszadło ③ do łączenia mąki lub owoców z mieszaniną na ciasta słodkie; do zagniatania ciast kruchych.

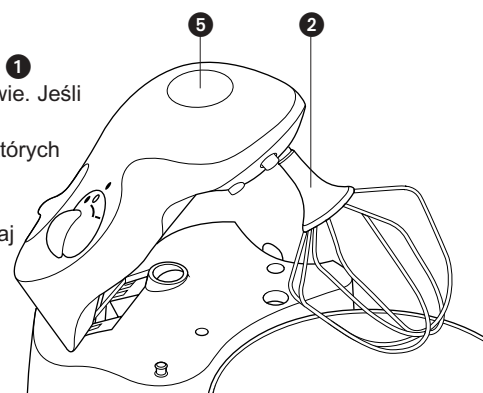


- Uwaga:
- Nigdy nie włączaj malaksera na dłużej, niż 10 minut, gdyż może się on przegrzać.
 - Nie używaj trzepaczki do mieszanin ciężkich - może ją to uszkodzić.
 - Po umyciu miski załóż ją z powrotem. Przez to mechanizm w podstawie zostanie zakryty.



jak używać funkcji ubijania/zagniatania

- 1 Przetaw wyłącznik na 'I' aby podnieść głowicę malaksera ①
- 2 Umieść składniki w misce, następnie załóż miskę na podstawie. Jeśli trzeba, to obróć ją z lekka, aż opadnie.
- 3 Narzędzia są oznaczone kolorami, jak również gniazda, do których pasują. Wybierz narzędzie, znajdź gniazdo z tym samym kolorem; wsuń narzędzie obracając je i wepchnij ②
- Zagniatacz do ciasta używaj razem; innych narzędzie używaj pojedynczo.
- 4 Opuść głowicę mieszającą, aż się zatrzaśnie - w przeciwnym razie malakser się nie włączy.
- 5 Nastaw odpowiednią prędkość ③
- 6 Włóż wtyczkę do gniazdka i obróć wyłącznik na 'I' ④
- 7 Aby wyłączyć, obróć wyłącznik z powrotem na 'O'



- aby wyjąć narzędzie
- 1 Wyłącz malakser.
 - 2 Odrygluj głowicę mieszającą ①
 - 3 Wciśnij przycisk odryglowania narzędzia ⑤
 - Zdejmij narzędzie **zanim** zdejmiesz miskę.

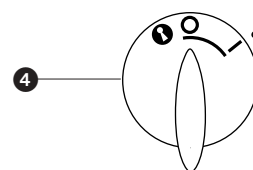
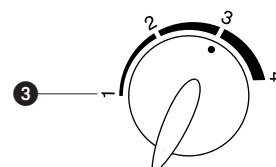
- wskazówki
- Mając w misce składniki, które mogą się rozpryskiwać (np. śmietankę lub mąkę), zacznij od najniższej prędkości i zwiększaj, jeśli trzeba.
 - Jeśli słychać, że urządzenie pracuje z wysiłkiem, to zwiększ prędkość.

jak wybierać prędkość

- do wszystkich funkcji**
- **ubijanie** wysoka
 - **zagniatanie** wysoka
 - **łączenie mąki/owoców z mieszaniną na ciasta** niska do średniej
 - **kruche ciasto** niska do średniej
 - **miksowanie** wysoka
 - **nóż** średnia do wysokiej
 - **krajanie/siekane/frytki** średnia do wysokiej
 - **sokownica do cytrusów** niska do średniej
 - **sokowirówka** wysoka

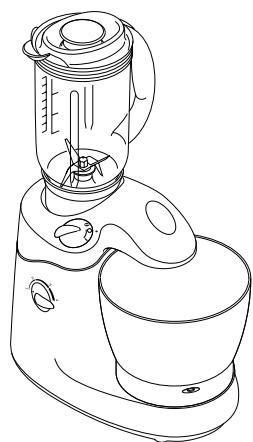
maksymalne ilości

- **białka jaj** 8
- **mikser** 1 litr
- **ciasto biszkoptowe "wszystko od razu"** całkowita masa 1,2kg
- **keks** całkowita masa 1,75kg
- **ciasto słodkie** z mąki do 30dag
- **ciasto chlebowe** z mąki do 1kg - lecz tylko, gdy jest dodane co najmniej ½ litra płynów. Jeśli ciasto jest bardziej suche, to należy je zagniatć w dwóch porcjach - w przeciwnym razie malakser zostanie przeciążony.
- **mielenie mięsa** 34 dag



czyszczenie jest opisane na str. 34

mikser



Miksera można używać do sporządzania zup, napojów, pasztetów, majonezu, tartej bułki, siekania biszkoptów i orzechów.

- ① wieczko wlewu. Można je zdjąć i dodawać składniki mając mikser w ruchu (np. robiąc majonez lub tartą bułkę).
- ② pokrywa
- ③ dzbanek

bezpieczeństwo

- Nigdy nie zdejmuj miksera ani pokrywy, dopóki ostrza nie zatrzymają się całkowicie.
- Nigdy nie miksuj bardzo gorących płynów.

ważne

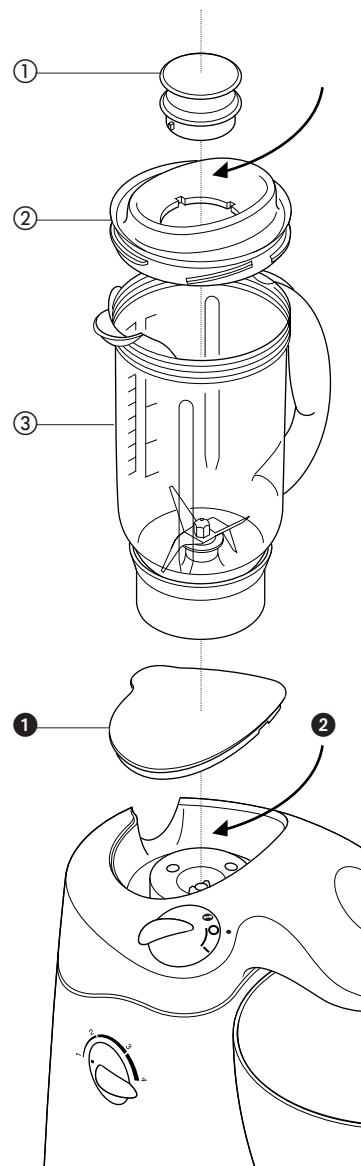
- Nigdy nie pracuj mikserem dłużej, niż przez jedną minutę - gdyż się przegrzeje. W przeciągu minuty mikser przerobi każdy surowiec.
- Nie wsypuj suchych składników do dzbanka przed włączeniem miksera. Pokraj je w kostkę i wrzucaj przez otwór wlewu, gdy mikser pracuje.
- Nie przerabiaj przypraw takich, jak goździki, nasiona kopru lub kminku, gdyż mogą one uszkodzić tworzywo dzbanka.
- Dzbanek nie nadaje się do przechowywania żywności. Nie pozostawiaj w nim surowców na dłuższy czas ani przed, ani po przerobieniu.
- Nigdy nie przekraczaj maksymalnej pojemności 1 litra.

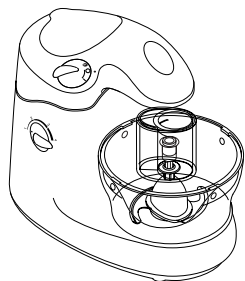
jak używać miksera

- 1 Opuść głowicę, aż się zatrzaśnie.
- 2 Zdejmij pokrywę końcówki napędzającej ①
- 3 Wlej składniki do dzbanka.
- 4 Zakręć pokrywę i załóż wieczko wlewu na dzbanek.
- 5 Nakręć dzbanek na końcówkę ②
- 6 Włącz.

wskazówka

- Sporządzając majonez, włóż wszystkie składniki do dzbanka za wyjątkiem oliwy. Następnie mając mikser włączony, zdejmij wieczko wlewu i wlewaj oliwę powoli i równomiernie.





przystawka do obróbki żywności

używaj przystawki do obróbki żywności do siekania, krajania, rozdrabniania oraz do robienia frytek

nóż

Nóż służy do siekania mięsa surowego i ugotowanego, jajek na twardo, warzyw, orzechów, pasztetów i mas do smarowania, jak również do robienia tartej bułki i rozdrabniania biszkoptów. Można go również używać do robienia kruchego ciasta i kruszonki.

- ① popychacze: duży i mały
- ② pokrywa przystawki
- ③ nóż
- ④ miska przystawki

bezpieczeństwo • **Nigdy nie zdejmuj pokrywki, dopóki nóż nie zatrzyma się całkowicie.**

- Brzeczczoty noża są ostre, obchodź się z nimi ostrożnie. Trzymaj nóż za uchwyt na wierzchu, z dala od krawędzi tnących - zarówno podczas używania, jak i podczas mycia.
- Zawsze zdejmij nóż przed opróżnianiem miski.

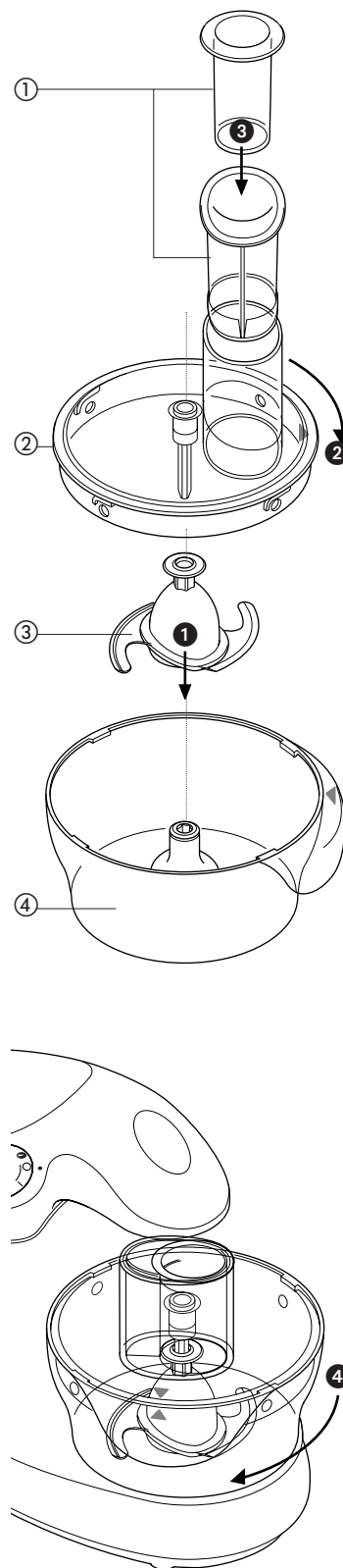
- uwaga**
- Nie rozdrabniaj kostek lodu ani też twardych przypraw; mogą one uszkodzić przystawkę.
 - Nie używaj noża do mieszania ciężkich mieszanin, np. ciasta chlebowego - może to spowodować uszkodzenie urządzenia. Posłuż się zagniataczami do ciasta i miską do mieszania.
 - Nie miksuj płynnych składników w przystawce - mogą one wyciekać spod pokrywki. Posłuż się mikserem.
 - Podczas mielenia surowego mięsa może wystąpić bicie; jest to normalne.

jak używać noża

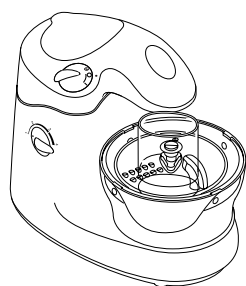
- 1 Opuść głowicę miksującą, aż się zatrzaśnie.
- 2 Załóż nóż w misce przystawki ①
- 3 Pokraj żywność i włóż ją do miski; uważaj, aby nie wpadała do środkowego otworu w osadzie noża.
- 4 Załóż pokrywkę na misce - mając rękojeść miski z prawej strony i rurę podającą z tyłu, obracaj miskę aż do zestawienia się strzałek ②
- Jeśli trzpień w pokrywie nie chce łatwo wejść w osadę noża, obróć z lekka wierzch noża i spróbuj jeszcze raz.
- 5 Załóż rury podające ③
- 6 Załóż zespół na podstawę miksera, rękojeścią do tyłu; obróć w prawo, aż się zatrzaśnie ④
- 7 Włącz i przerabiaj aż do osiągnięciażądanego rezultatu.

- wskazówki**
- Pokraj żywność przed włożeniem jej do przystawki. Mięso, chleb, warzywa i inną żywność o podobnej konsystencji należy pokrajać w kostkę o boku ok. 2 cm. Biszkopty należy pokruszyć na kawałki i wkładać do rury podającej, gdy urządzenie jest w ruchu.
 - Do robienia kruchego ciasta używaj tłuszczu twardego prosto z lodówki, pokrojonego w kostkę. Mieszaj z mąką aż do osiągnięcia konsystencji okruszków. Stopniowo dodawaj wody przez rurę podającą, na tyle tylko, aby uformować ciasto. Wyłącz natychmiast po połączeniu się składników.
 - Podczas przerobu pewne składniki mogą się zbierać na brzegu pokrywki. Aby temu zapobiec, wyłącz w połowie przerobu, zeskrób i przerabiaj dalej.
 - Używając noża uważaj, aby nie przerobić żywności zanadto.

- Maksymalne pojemności**
- **ciasto** (ciężar mąki) 30 dag
 - **mięso** 34 dag



czyszczenie jest opisane na str. 34



przystawka do obróbki żywności c.d.

tarcze do krajania/siekania/frytek

Używaj tarczy do krajania/siekania do krajania lub siekania owoców, warzyw i sera; tarczy do frytek do krajania warzyw, np. ziemniaków oraz owoców.

- ① popychacze: duży i mały
- ② rura podająca
- ③ pokrywa przystawki
- ④ miska przystawki
- dołączone tarcze tnące ⑤ zgrubna do krajania/siekania
- ⑥ drobna do krajania/siekania
- ⑦ drobna do krajania w zapalki (a la julienne)
- opcjonalne tarcze tnące ⑧ bardzo zgrubna do siekania nr części 639021
- ⑨ tarcza dfo ucierania nr części 639150
- ⑩ tarcza do frytek normalnych nr części 639083

☛ Aby kupić tarczę tnącą nie objętą zestawem, prosimy się skontaktować z punktem obsługi technicznej KENWOODA.

krajanie/siekanie jak działają tarcze tnące

Tarcze ⑤ i ⑥ są odwracalne: jedna strona kraje, druga strona sieka. Krajać można krajać ser, marchew, ziemniaki, kapustę, ogórki, cukinie, buraki, cebulę. Siekać można ser, marchew, ziemniaki i żywność o podobnej konsystencji. Strona wybrana do obróbki musi się znajdować na wierzchu.

tarcza do krajania w zapalki ⑦ kraje ziemniaki na bardzo cienkie frytki (francuskie), twarde składniki na sałatki, garniry, zapiekanki i do smażenia na sposób chiński (marchew, brukiew, cukinie, ogórek).

tarcza bardzo zgrubna ⑧ zgrubnie sieka ser i marchew.

tarcza do ucierania ⑨ trze: parmezan, ziemniaki na placki ziemniaczane.

tarcza do normalnych frytek ⑩ kraje: ziemniaki na cienkie frytki, twarde jarzyny na sałatki i smarowidła (np. brukiew, ogórek).

bezpieczeństwo • **nigdy nie zdejmuj pokrywy, dopóki tarcza tnąca nie zatrzyma się całkowicie.**

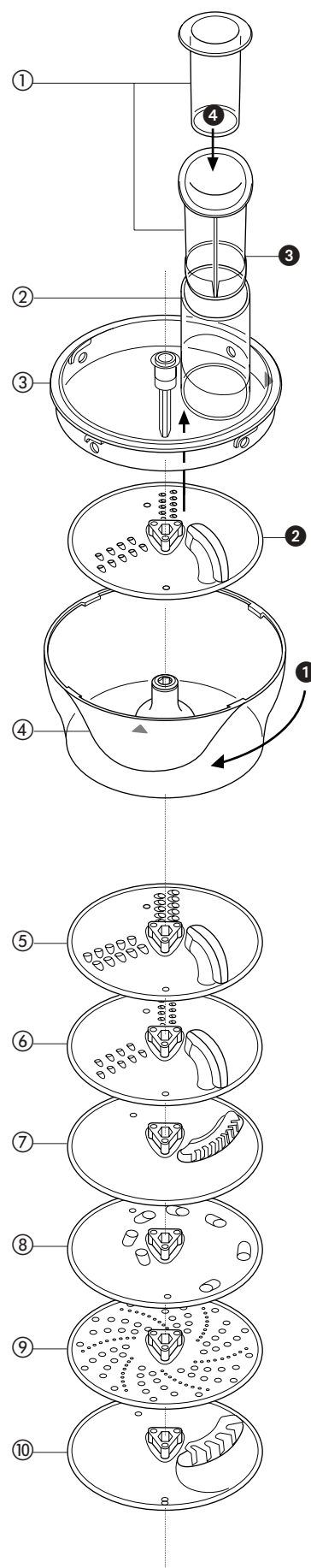
- Obchodź się z tarczami tnącymi ostrożnie - są one nadzwyczaj ostre.
- Nie czekaj, aż miska napełni się do poziomu tarczy; opróżniaj ją regularnie.

jak używać funkcji krajania/siekania/frytek

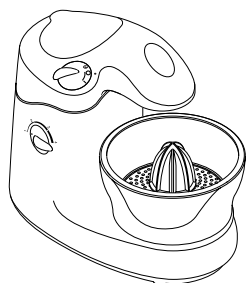
- 1 Opuść głowicę, aż się zatrzaśnie.
- 2 Załóż miskę na podstawie - rękojeścią do tyłu - i obróć ją w prawo, aż się zatrzaśnie ①
- 3 Nasuń tarczę tnącą na wałek wewnątrz pokrywy. Strona tnąca musi się znajdować do góry ②
- 4 Załóż pokrywę na miskę - rurą podającą po prawej stronie - i obróć w prawo aż do zestawienia się strzałek.
- 5 Zdecyduj, której rury podającej będziesz używać. Popychacz zawiera mniejszą rurę podającą do przerobu pojedynczych kawałków lub cienkich składników.
- aby użyć **małej** rury podającej • Najpierw włóż duży popychacz do rury podającej ③
- aby użyć **dużej** rury podającej • Używaj obu popychaczy złożonych razem ④
- 6 Włóż surowce do rury podającej.
- 7 Włącz i równomiernie popychaj w dół posługując się popychaczem - **nigdy nie wkładaj palców do rury podającej.**

- wskazówki**
- Używaj świeżych składników.
 - Nie kraj żywności zbyt drobno. Dużą rurą podającą upakuj raczej ciasno, aby żywność nie ześlizgiwała się w bok podczas obróbki - względnie używaj mniejszej rury podającej.
 - Używając tarczy do frytek, układaj cienkie składniki poziomo.
 - Krajane lub siekane kawałki będą krótsze, gdy surowce upakować pionowo; dłuższe, gdy je wkładać poziomo.
 - Po użyciu tarczy tnącej zawsze będzie niewielka ilość odpadu na tarczy lub w przerobionej żywności.

czyszczenie jest opisane na str. 34



sokownica do cytrusów i sokowirówka zestaw MA110



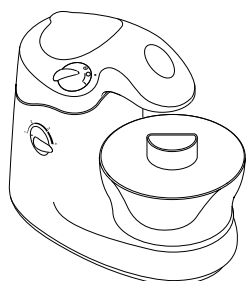
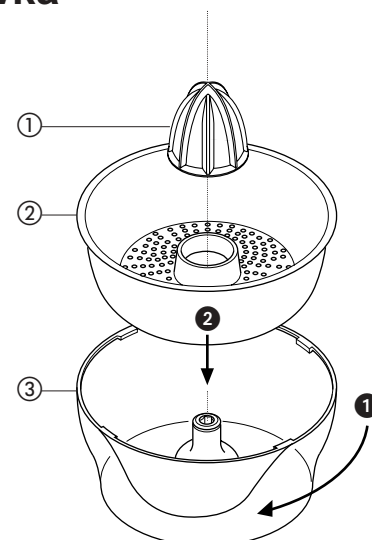
sokownica do cytrusów

Sokownicy do cytrusów używaj do wyciskania soku z owoców cytrusowych (np. pomarańcze, cytryn, limonów, grejpfrutów.)

- ① rdzeń
- ② sitko
- ③ miska przystawki

Jak używać sokownicy do cytrusów

- 1 Opuść głowicę, aż się zatrzaśnie.
- 2 Załóż miskę na podstawę -rękojeścią do tyłu - i obróć w prawo ①
- 3 Włóż sitko do miski, a następnie rdzeń ②
- 4 Przekraj owoc na pół. Włącz i dociskaj go do rdzenia.



sokowirówka

Sokowirówki używaj do wyciskania soku z twardych owoców i warzyw.

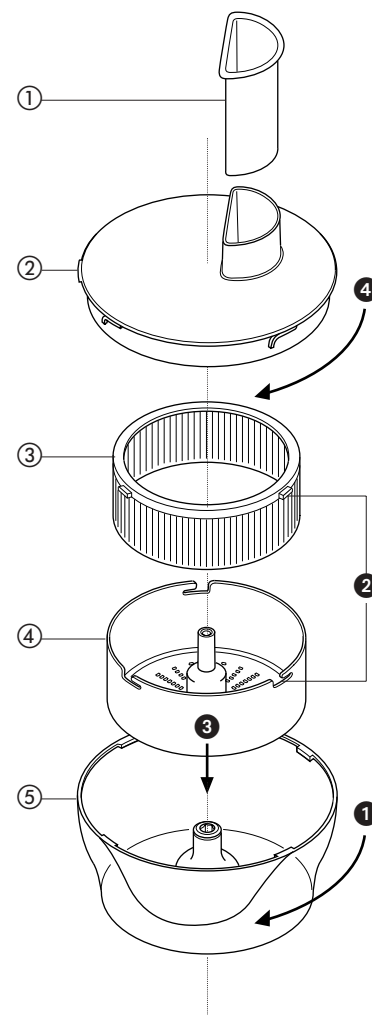
- ① popychacz
- ② pokrywa
- ③ sito
- ④ miska wewnętrzna
- ⑤ miska przystawki

- bezpieczeństwo**
- Nigdy nie używaj sokowirówki bez założonej pokrywy.
- uwaga**
- Jeśli malakser wibruje, to wyłącz i opróżnij sito. (Sokowirówka wpada w drgania z powodu nierównomiernego rozproszczenia pulpy).
 - Przerabiaj niewielkie ilości na raz (maksimum 45dag) i regularnie opróżniaj sito i miskę wewnętrzną.
 - Przed przerobem usuń pestki (np. z papryki strąkowej, melona, śliwek) i obierz twarde skóry (melon, ananas). Nie ma potrzeby obierania jabłek lub gruszek.

jak używać sokowirówki

- 1 Opuść głowicę, aż się zatrzaśnie.
- 2 Załóż miskę na podstawę -rękojeścią do tyłu - i obróć w prawo ①
- 3 Włóż sitko do miski wewnętrznej, uważając na wejście występów ② w wycięcia.
- 4 Załóż miskę wewnętrzną w głównej misce ③
- 5 Załóż pokrywę na miskę - rurą podającą w prawo - i obróć w prawo ④
- 6 Pokraj żywność na kawałki; włóż jeden lub dwa do rury podającej.
- 7 Włącz i równomiernym dociskiem podawaj żywność w dół rury. **Nigdy nie wkładaj palców do rury podającej.** Przed dodaniem dalszych ilości przepuść do końca surowiec włożony przedtem.
- 8 Po przepuszczeniu całej żywności pozostaw malakser włączony bez obciążenia na dalsze 20 sekund, aby wycisnąć wszystkie sok z sitka.

- wskazówki**
- Używaj jędrnych, świeżych surowców.
 - Sok z cytrusów będzie gorzki i spieniony, ponieważ "wata" i skórka zostaną również przerobione. Zamiast sokowirówki używaj sokownicy do cytrusów.



czyszczenie jest opisane na str. 34

czyszczenie i serwis

czyszczenie

- Zawsze wyłącz i wyjmij wtyczkę z gniazdka przed czyszczeniem.
- Nigdy nie dopuszczaj do zamoczenia korpusu z silnikiem, sznura ani wtyczki.
- Obchodź się ze wszystkimi nożami i tarczami tnącymi ostrożnie - są one nadzwyczaj ostre.
- Niektóre surowce mogą zabarwiać tworzywo sztuczne. Jest to normalne i nie ma wpływu na materiał malaksera ani na smak żywności. W usuwaniu plam pomoże przecieranie ich ściereczką, zwilżoną olejem roślinnym.
- Nie myj części w zmywarce do naczyń.

- podstawa z silnikiem/zagniatacz
- Wytrzyj wilgotną ściereczką, a następnie suchą.
 - Nigdy nie używaj abrazyjnych środków czyszczących i nie zanurzaj w wodzie.
- mikser
- 1 Napełnij ciepłą wodą, załóż pokrywę i wieczko, włącz na najwyższej prędkości na 20 - 30 sekund.
 - 2 Opróżnij i wypłucz. Jeśli nadal brudny, użyj szczoteczki.
 - 3 Wytrzyj i pozostaw do wyschnięcia na powietrzu.
- Nie zostawiaj miksera do namoczenia w wodzie. Nie zostawiaj wody w mikserze.
- wszystkie pozostałe części
- Umyj w rękę, następnie dokładnie osusz.

serwis i łączność z klientami

- Używaj malaksera **tylko** zgodnie z jego przeznaczeniem.
- Jeśli sznur ulegnie uszkodzeniu, to z uwagi na bezpieczeństwo musi go wymienić wyłącznie KENWOOD, względnie autoryzowany punkt naprawczy KENWOODA.

Gdy potrzebujesz pomocy:

- W posługiwaniu się malakserem
- W zamówieniu innego narzędzia
- W serwisie lub naprawie

Prosimy się skontaktować z miejscem zakupu swego malaksera.

przepisy

rozgrzewająca zupa zimowa

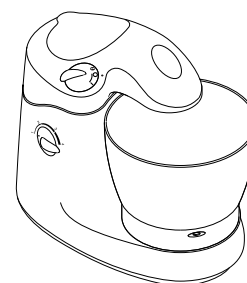
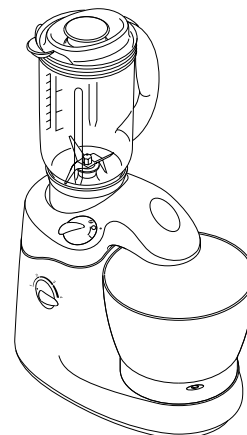
- składniki
- marchew, ziemniaki i cebula: szesnaście kostek o boku 2cm każdego warzywa
 - rosół z szynki
 - 10dag wypłukanej czerwonej soczewicy
 - 0,25 l wywaru z jarzyn
 - 1 puszka 40dag siekanych pomidorów
 - sól i pieprz
 - 20dag ugotowanej szynki, pokrajanej w 1 cm kostkę

- metoda
- 1 Wkładaj warzywa do **miksera** w kolejności: marchew, ziemniaki, cebula.
 - 2 Wlej wywar z szynki do kreski 1 litra.
 - 3 Miksuj nie dłużej, niż 10 sekund.
 - 4 Wlej do garnka. Następnie dodaj soczewicę, pomidory, wywar z jarzyn i przyprawy.
 - 5 Zagotuj ciągle mieszając, następnie trzymaj na małym ogniu przez ok. 1 godzinę mieszając regularnie, aż składniki będą ugotowane.
 - 6 Dodaj pokrajaną szynkę i podgrzewaj przez 5 - 10 minut. Podawaj natychmiast.

biały chleb - bochenek lub bułeczki

- składniki
- 50dag mąki chlebowej
 - 5ml (1 łyżeczka) soli
 - 1,5dag smalcu
 - 1,5dag świeżych drożdży lub 10ml (2 łyżeczki) drożdży suszonych plus 5ml (1 łyżeczka) cukru-kryształu
 - 0,3 l ciepłej wody (43°C). Użyj termometru, lub wlej 0,1 l wrzątku do 0,2 l zimnej wody.
 - **nigdy nie przekraczaj ilości maksymalnych** podanych na str. 2.

- metoda
- 1 **drożdże suszone** (typ wymagający rozrobienia): wlej ciepłej wody do miski. Dodaj drożdże, cukier i odstaw na ok. 10 minut, aż się spienią.
drożdże świeże: rozkrusz do miski z mąką.
Inne rodzaje drożdży: postępuj według wskazówek wytwórcy.
 - 2 Wlej płyn do **miski**. Następnie dodaj mąkę (ze świeżymi drożdżami, jeśli użyte), solą i smalcem.
 - 3 Załóż **zagniatacze do ciasta**, następnie załóż miskę.
 - 4 Włącz i stopniowo zwiększaj prędkość do maksimum.
 - 5 Wyrabiaj ciasto, aż będzie elastyczne - **nigdy nie zagniataj dłużej, niż 10 minut - gdyż silnik się przegrzeje**.
 - 6 Przelóż ciasto do nasmarowanej torby polietylenowej lub do miski, przykryj ściereczką. Pozostaw w ciepłym miejscu, aż podwoi swoją objętość.
 - 7 Połóż ciasto na lekko omączonej stolnicy. Wyrabiaj ręką przez 2 - 3 minuty, aby wybić powietrze. Rób to ręcznie, gdyż zwiększona objętość ciasta może uszkodzić malakser.
 - 8 Ukształtuj ciasto w bochenek lub ok. 15 bułeczek i połóż na nasmarowanych blachach do pieczenia. Pozostaw w ciepłym miejscu, aż podwoi swoją objętość.
 - 9 Piecz w 230°C/Gaz 8 przez 20 - 25 minut (chleb) lub 10 - 15 minut (bułeczki).
 - 10 Upieczony chleb powinien odzywać się pusto, gdy go postukać od spodu.



Введение

кухонный комбайн фирмы Kenwood поможет вам при выполнении многих операций. если вы будете выпекать хлеб или суфле, меренги или пироги, Kenwood всегда облегчит ваш труд. при таком широком ассортименте насадок практически не существует границ для использования кухонного комбайна.

Содержимое упаковки

	КМ120 Cuisine Ыщдц (Одинарный)	КМ150 Cuisine 3 in 1 (3 в одном)	КМ180 Cuisine 3 in 1 plus (3 в одном плюс)
взбивание			
чаша миксера	✓	✓	✓
взбивалка	✓	✓	✓
тестомешалки	✓	✓	✓
мешалка	✓	✓	✓
приготовление смесей			
гомогенизатор	✗	✓	✓
насадки для обработки продуктов			
чаша и крышка насадки и толкатели	✗	✓	✓
нож	✗	✓	✓
3 ломтерезка/терка/шинковка	✗	✓	✓
соковыжималка для citrusовых	✗	✗	✓
центробежная соковыжималка	✗	✗	✓
лопатка	✓	✓	✓
крышка	✗	✗	✗

ОЗНАКОМЬТЕСЬ С УСТРОЙСТВОМ КУХОННОГО КОМБАЙНА ФИРМЫ KENWOOD

См. перечень содержимого упаковки на обратной стороне.

меры предосторожности

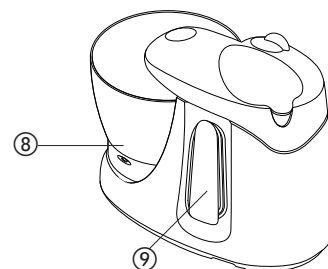
- Не касайтесь руками движущихся частей и установленных насадок.
- Обращайтесь с осторожностью с ножами и режущими пластинами, они очень острые.
- Никогда не оставляйте работающий кухонный комбайн без присмотра.
- Никогда не пользуйтесь неисправным комбайном. Проверьте его работоспособность или отремонтируйте; см. раздел очистка и уход на странице 43.
- Никогда не используйте запрещенные к применению насадки или более одной насадки сразу (за исключением мешалок для теста).
- Комбайн предназначен только для использования в домашнем хозяйстве.
- Никогда не превышайте допустимые перерабатываемые количества продуктов, указанные на странице 38.
- Перед поднятием или снятием инструментов/насадок, а также после использования и перед очисткой обязательно выключите кухонную машину и отсоедините сетевой шнур от розетки.
- Этот кухонный комбайн не предназначен для самостоятельного использования детьми и престарелыми.
- Не позволяйте детям играть с миксером.

перед включением комбайна

- Убедитесь, что напряжение электрической сети соответствует указанным, приведенным на нижней стороне вашего комбайна.
- Комбайн соответствует требованиям европейского экономического сообщества 89/336/ЕЭСс.

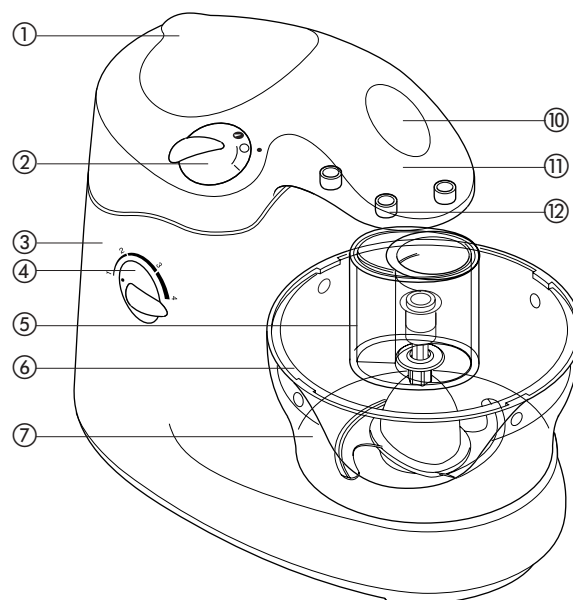
перед первым применением

- 1 Удалите все упаковочные материалы, включая пластмассовые крышки на лезвиях ножа. Эти крышки нужно выбросить, так как они предназначены для предохранения лезвий только во время изготовления и транспортировки.
- 2 Вымойте все части комбайна; см. раздел "очистка и уход" на странице 43.
- 3 Оберните излишек шнура вокруг скобы, расположенной на задней части комбайна.



Ознакомьтесь с устройством вашего кухонного комбайна фирмы KENWOOD

- 1 защитная крышка
- 2 переключатель включения/выключения и поднятия головки миксера
- 3 двигатель
- 4 переключатель скорости
- 5 проталкиватели
- 6 крышка насадки
- 7 чаша насадки
- 8 чаша миксера
- 9 скоба для намотки лишнего шнура
- 10 кнопка освобождения насадок миксера
- 11 головка миксера
- 12 гнезда для установки насадок миксера



имеющиеся насадки миксер

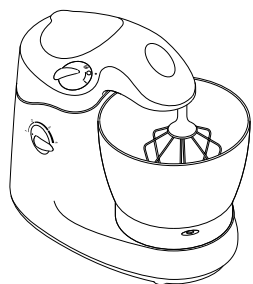
- сбивалка (страница 38)
- мешалки для теста (страница 38)
- мешалка (страница 38)
- гомогенизатор (страница 39)

насадки для обработки продуктов

- нож стр. 40
- ломтерезка/терка/шинковка стр. 41
- соковыжималка для citrusовых стр. 42
- центробежная соковыжималка стр. 42
- лопатка
- крышка номер детали 492239

Для приобретения насадок, которые не входят в комплект вашего кухонного комбайна, обратитесь в ремонтную мастерскую фирмы KENWOOD.

- Для всех насадок для обработки продуктов используется одна и та же чаша. Поэтому комплект с несколькими насадками содержит только одну чашу.



миксер

Используйте миксер для приготовления пирожных, хлеба, пирогов и меренг.

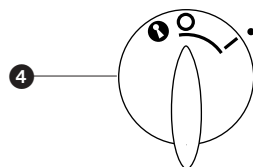
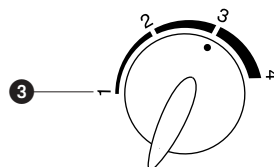
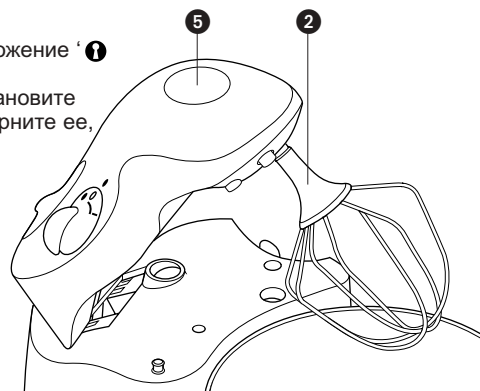
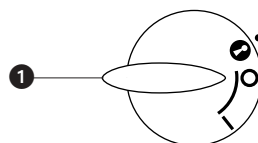
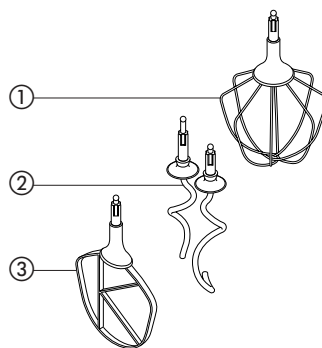
насадки для смешивания и их применение

- сбивалка ① предназначена для сбивания яичных белков, сливок, смесей для пудингов и теста для пирогов, маргарина с сахаром (используйте маргарин, нагретый до комнатной температуры), для смешивания яиц с легким тестом и тестом для фруктовых пирогов.
- мешалки для теста ② предназначены для любого дрожжевого теста. Устанавливайте обе мешалки сразу.
- мешалка ③ предназначена для смешивания муки или фруктов с тестом для пирогов, для приготовления песочного теста.

- важно**
- Никогда не держите миксер включенным в течение более 10 минут, он может перегреться.
 - Не используйте сбивалку при приготовлении густых смесей - она может сломаться.
 - После очистки установите емкость на место. Это защитит нижнюю часть механизма комбайна.

как пользоваться миксером

- 1 Установите переключатель включения/выключения в положение 'I' и поднимите головку миксера ①
- 2 Поместите ингредиенты в чашу миксера, после этого установите чашу на основание. В случае необходимости слегка поверните ее, чтобы она встала на место.
- 3 Все насадки и гнезда, куда они устанавливаются, имеют цветовую маркировку. Выберите используемую насадку, найдите соответствующее по цвету гнездо, вставьте насадку и надавите на нее ②
- Используйте обе мешалки для теста одновременно, другие насадки используйте по одной.
- 4 Опустите головку миксера до щелчка - **иначе миксер работать не будет.**
- 5 Установите требуемую скорость ③
- 6 Включите кухонный комбайн в сеть, установите переключатель включения/выключения в положение 'I' ④
- 7 Для выключения комбайна верните переключатель назад в положение 'O'.



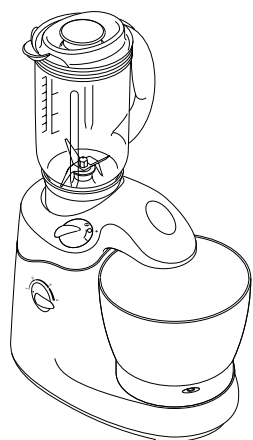
- для удаления насадок
- 1 Выключите комбайн.
 - 2 Освободите головку миксера ①
 - 3 Нажмите на кнопку освобождения насадок ⑤
 - Снимите насадку **перед** удалением емкости.

- советы**
- Если вы поместили в чашу миксера жидкий или сыпучий продукт (например, сливки или муку), начинайте перемешивание на минимальной скорости, а затем увеличьте скорость перемешивания, если в этом есть необходимость.
 - Если вы слышите, что комбайн работает с большим напряжением, увеличьте скорость.

- выбор скорости**
- для всех функций**
- **взбивание** высокая
 - **замешивание** высокая
 - **вымешивание муки/фруктов в смесях для приготовления пирожных** от низкой до средней
 - **приготовление сдобного теста** от низкой до средней
 - **гомогенизатор** высокая
 - **нож** от средней до высокой
 - **ломтерезка/терка/шинковка** от средней до высокой
 - **соковыжималка для цитрусовых** от низкой до средней
 - **центробежная соковыжималка** высокая

- максимальные количества перерабатываемых продуктов**
- **яичные белки** - 8 штук
 - **гомогенизированная смесь** - 1 литр
 - **легкое тесто** общим весом до 1,2 кг
 - **фруктовый пирог** общим весом до 1,75 кг
 - **мука для сдобного теста** - 300 г
 - **мука для выпечки хлеба** - 1 кг, если содержание жидкости не менее 500мл. Если смесь более сухая, выполняйте замешивание в двух емкостях. В ином случае возможна перегрузка миксера.
 - **измельчение мяса** 340 г

порядок **очистки**, см. стр. 43



гомогенизатор

Используйте гомогенизатор для приготовления супов, напитков, паштетов, майонеза, хлебных крошек, бисквитных крошек и измельчения орехов.

- ① колпачок горловины. Вы можете удалить колпачок и добавлять компоненты в процессе работы комбайна (как при приготовлении майонеза или панировочной крошек).
- ② крышка
- ③ кружка

меры безопасности

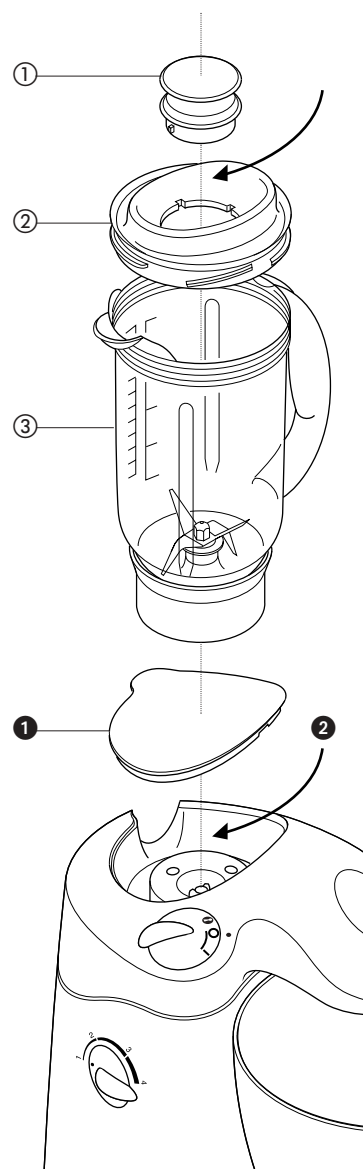
- Никогда не снимайте гомогенизатор или его крышку до полной остановки ножей.
- Никогда не обрабатывайте очень горячие жидкости.

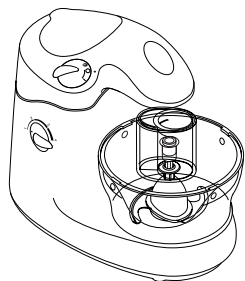
- важно**
- Никогда не держите гомогенизатор включенным более одной минуты, иначе он перегреется; за это время продукты будут полностью обработаны.
 - Не помещайте твердые продукты в гомогенизатор перед его включением; нарежьте продукты кубиками и добавляйте их через горловину для заполнения в процессе работы гомогенизатора.
 - Не перерабатывайте в гомогенизаторе такие специи, как гвоздика, укроп и тмин, поскольку они могут повредить пластик, из которого изготовлен гомогенизатор.
 - Гомогенизатор не предназначен для хранения продуктов; не оставляйте продукты в гомогенизаторе до и после переработки.
 - Никогда не превышайте максимально допустимую загрузку гомогенизатора - 1 литр.

как пользоваться гомогенизатором:

- 1 Опустите головку миксера до щелчка.
- 2 Удалите внешнюю крышку ①
- 3 Поместите компоненты в кружку.
- 4 Вверните в кружку крышку и колпачок горловины.
- 5 Вверните кружку в гнездо ②
- 6 Включите кухонный комбайн.

- совет**
- При приготовлении майонеза поместите все продукты, за исключением растительного масла, в гомогенизатор; при включенном комбайне снимите колпачок горловины и медленно и равномерно добавьте масло.





насадка для обработки продуктов

используйте насадку для обработки продуктов для измельчения, нарезания ломтиками, шинковки и терки

НОЖ

Используйте нож для измельчения сырого и вареного мяса, вареных яиц, овощей, орехов, приготовления паштетов и соусов, а также для приготовления панировочной крошки из хлеба и бисквитов. Нож также может использоваться для приготовления теста для песочного печенья и крошки для украшения верхней поверхности кондитерских изделий.

- ① проталкиватели: большой и маленький
- ② крышка насадки
- ③ нож
- ④ чаша насадки

меры предосторожности

- **Никогда не снимайте крышку до полной остановки ножа.**
- Лезвия ножа являются острыми, будьте осторожны. Лезвие следует брать за расположенный сверху захват для пальцев, а не за само лезвие (при установке и чистке).
- Перед удалением содержимого из чаши обязательно снимите нож.

внимание

- Не измельчайте кубики льда и другие твердые продукты, такие как, например, пряности, это может привести к повреждению насадки
- Не пользуйтесь ножом для приготовления густых смесей, например, теста. Это может привести к повреждению машины. Используйте для замешивания теста мешалку для теста в чаше для перемешивания.
- Не перемешивайте жидкие ингредиенты, так как они могут вытекать по краю крышки. Используйте для этого гомогенизатор.
- При измельчении мяса может произойти некоторое перемещение машины. Это нормальное явление.

использование ножа

- 1 Опустите головку миксера до ее фиксации со щелчком.
- 2 Установите нож в чашу насадки ①
- 3 Порежьте продукты и положите их в чашу. При этом следите за тем, чтобы продукты не провалились в центральное отверстие на оси ножа.
- 4 Наденьте на чашу крышку - при этом ручка чаши должна быть справа, а подающая трубка сзади - и поверните крышку по часовой стрелке до совмещения стрелок ②
- Если вы не можете вставить ось крышки в отверстие ножа, немного поверните верхнюю часть ножа, затем снова попробуйте вставить ось в отверстие ножа.
- 5 Установите подающие трубки ③
- 6 Установите узел насадки на основание миксера - ручка сзади - и поверните его по часовой стрелке до фиксации со щелчком в положении ④
- 7 Включите машину и выполните обработку продуктов до нужной кондиции.

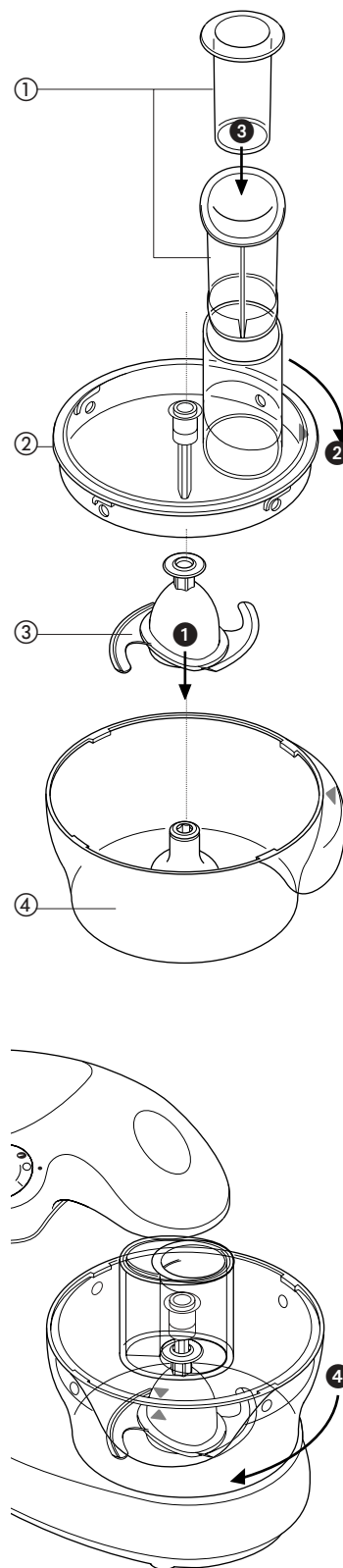
советы

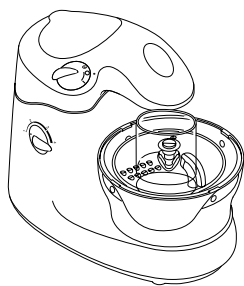
- Перед тем как поместить продукты в насадку, порежьте их. Мясо, хлеб, овощи и другие продукты с аналогичной структурой должны быть порезаны на кубики размером приблизительно 2 см. Бисквиты должны быть разломаны на кусочки и должны добавляться в подающую трубку во время работы машины.
- При приготовлении сдобного теста используйте твердые кубики жира, замороженного в холодильнике. Замешивайте с мукой до консистенции панировочных сухарей. Постепенно добавляйте воду через подающую трубку в количестве, достаточном для приготовления теста. После полного смешивания ингредиентов немедленно выключите машину.
- Во время обработки некоторые продукты могут налипать на обод крышки. Для предотвращения этого остановите перемешивание, удалите налипшие продукты, а затем продолжите перемешивание.
- При использовании ножа не закладывайте слишком много продуктов.

максимальная загрузка

- **сдобное тесто** (вес муки) 300 г
- **мясо** 340 г

порядок **очистки**, см. стр. 43





насадка для обработки продуктов продолжение

ломтерезка/терка/шинковка

Используйте ломтерезку/терку для нарезания или натирания фруктов, овощей и сыра, а шинковку для мелкой резки овощей, например картофеля, и фруктов.

- включая режущие пластины
- ① проталкиватели: большой и маленький
 - ② подающая трубка
 - ③ крышка насадки
 - ④ чаша насадки
 - ⑤ грубая ломтерезка/терка
 - ⑥ тонкая ломтерезка/терка
 - ⑦ шинковка для тонкой стружки (структура жюльена)
- дополнительные режущие пластины
- ⑧ очень грубая терка, номер детали 639021
 - ⑨ пластина для натирания, номер детали 639150
 - ⑩ стандартная шинковка, номер детали 639083

Для приобретения насадок, которые не входят в комплект вашего кухонного комбайна, обратитесь в ремонтную мастерскую фирмы KENWOOD.

ломтерезка/терка

какую функцию выполняют режущие пластины

Пластины ⑤ и ⑥ являются двусторонними: одна сторона режет ломтиками, а вторая сторона работает как терка. Вы можете резать ломтиками сыр, морковь, картофель, капусту, огурцы, кабачки, свеклу, лук. Вы можете натереть сыр, морковь, картофель и продукты аналогичной структуры. *Выбранная вами режущая сторона должна быть верхней.*

шинковка для тонкой стружки (структура жюльена)

⑦ режет: картофель для приготовления картофеля фри по-французски со структурой жюльена; твердые ингредиенты для салатов, гарниров, запеканок из овощей и тертых продуктов (например, морковь, брюква, кабачки, огурцы).

очень грубая терка пластина для натирания

⑧ крупно натирает: сыр и морковь.
⑨ натирает: сыр пармезан, картофель для картофельных клецок по-немецки.

стандартная шинковка

⑩ режет: картофель для приготовления картофеля фри по-французски; твердые ингредиенты для салатов и соусов (например, брюква, огурцы)

меры предосторожности

- **никогда не снимайте крышку до полной остановки режущей пластины.**
- Обращайтесь с режущими пластинами осторожно - они очень острые.
- Не допускайте заполнения чаши до уровня режущей пластины - регулярно опорожняйте чашу.

использование ломтерезки/терки/ шинковки

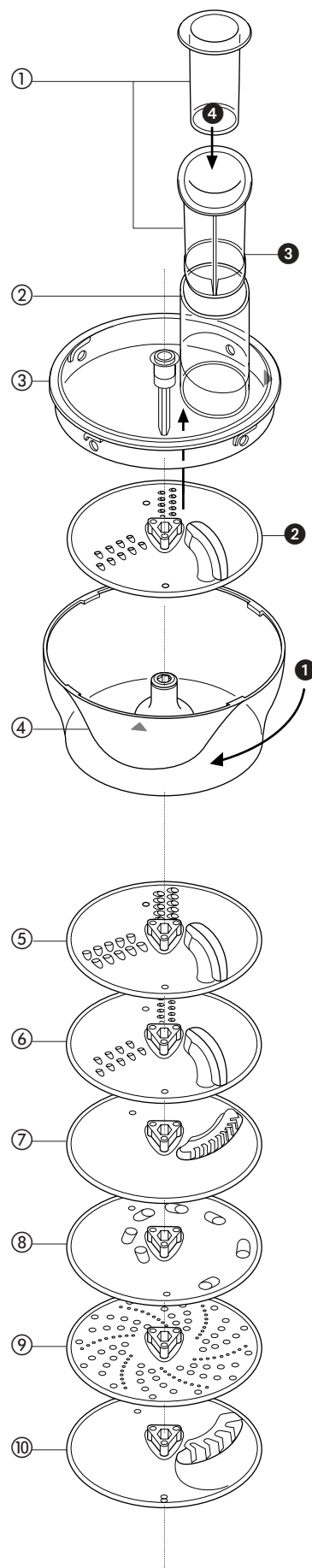
- 1 Опустите головку миксера до ее фиксации со щелчком.
- 2 Установите чашу на основание миксера - ручка сзади - и поверните ее по часовой стрелке до фиксации со щелчком в положение ①
- 3 Наденьте режущую пластину на ось в крышке. Режущая сторона должна быть сверху ②
- 4 Наденьте на чашу крышку - при этом подающая трубка должна быть справа - и поверните крышку по часовой стрелке до совмещения стрелок.
- 5 Выберите нужную подающую трубку. Проталкиватель содержит меньшую подающую трубку для обработки мелко нарезанных и тонких ингредиентов.
- 6 Сначала вставьте большой проталкиватель в подающую трубку ③
- 7 Используйте оба проталкивателя вместе ④
- 6 Поместите продукты в подающую трубку.
- 7 Включите машину и проталкивайте продукты проталкивателем равномерно - **никогда не используйте для этой цели пальцы.**

для использования **маленькой** подающей трубки
для использования **большой** подающей трубки

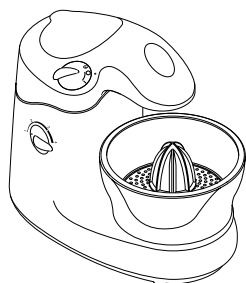
советы

- Используйте свежие ингредиенты.
- Не режьте продукты слишком мелко. Большая трубка должна быть полностью заполнена по ширине. Это предотвратит разбрасывание продуктов в стороны во время обработки. В противном случае используйте маленькую подающую трубку.
- При использовании шинковки располагайте тонкие ингредиенты горизонтально.
- При резке ломтиками или натирании: продукты, расположенные вертикально, выходят более короткими, чем продукты, расположенные горизонтально.
- После использования режущей пластины на пластине или в продуктах всегда будет небольшое количество отходов.

порядок **очистки**, см. стр. 43



Соковыжималка для цитрусовых и центробежная соковыжималка MA110



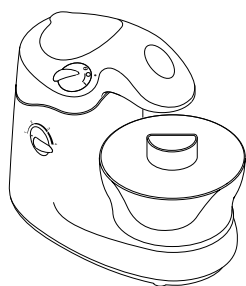
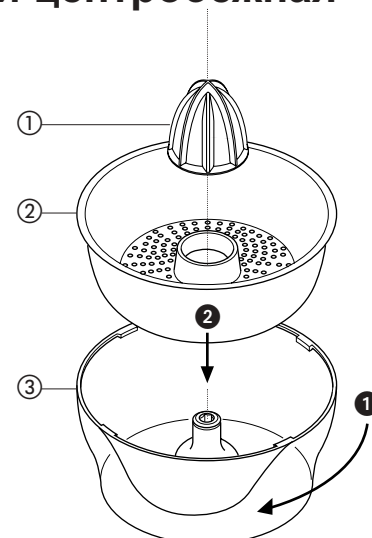
соковыжималка для цитрусовых

Используется для отжима сока из цитрусовых (апельсинов, лимонов, лаймов, грейпфрутов).

- ① конус
- ② сито
- ③ чаша насадки

как пользоваться соковыжималкой для цитрусовых

- 1 Опустите головку миксера до щелчка.
- 2 Установите емкость на основание ручкой назад и поверните ее по часовой стрелке ①
- 3 Установите сито в емкости, затем установите конус ②
- 4 Разрежьте плод пополам, затем включите соковыжималку и прижмите разрезанный плод к конусу.



центробежная соковыжималка

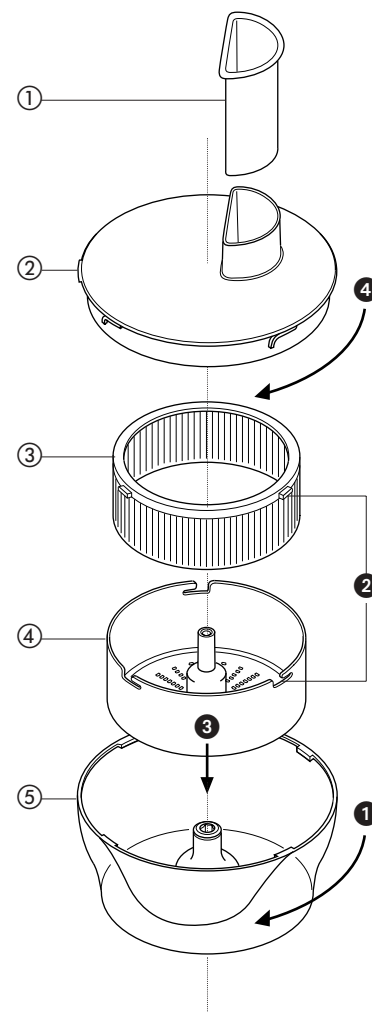
Используйте центробежную соковыжималку для приготовления соков из твердых фруктов и овощей.

- ① проталкиватель
- ② крышка
- ③ фильтр
- ④ внутренняя емкость
- ⑤ чаша насадки

- меры безопасности важно!
- Никогда не используйте центробежную соковыжималку без крышки.
 - Если комбайн вибрирует, выключите его и освободите фильтр. (Комбайн будет вибрировать, если жмых будет распределен неравномерно.)
 - Перерабатывайте небольшие количества (не более 450г) и регулярно освобождайте фильтр и внутреннюю емкость.
 - Перед переработкой удалите из плодов косточки и зернышки (например из перца, дыни, сливы) и плотную кожуру (например, с дыни или ананаса). Нет необходимости очищать от кожуры или семечек яблоки или груши.

как пользоваться центробежной соковыжималкой

- 1 Опустите головку миксера до щелчка.
- 2 Установите емкость на основание ручкой назад и поверните ее по часовой стрелке ①
- 3 Установите фильтр во внутренней емкости, используя выступы ②
- 4 Установите внутреннюю емкость в основную емкость ③
- 5 Установите крышку на емкость - подающая трубка расположена справа - и поверните ее по часовой стрелке ④
- 6 Нарезьте продукты, поместите один-два кусочка в подающую трубку.
- 7 Включите комбайн и начните равномерно проталкивать продукты толкателем - **никогда не используйте для этой цели пальцы**. полностью переработайте продукты перед закладкой следующей порции.
- 8 После добавления последней порции продуктов дайте комбайну поработать в течение 20 секунд для извлечения сока из остатка на фильтре.



- советы
- Используйте твердые свежие продукты.
 - Кожура и мякоть сделают сок цитрусовых горьким и пенистым. Рекомендуется использовать соковыжималку для цитрусовых.

порядок **очистки**, см. стр. 43

ОЧИСТКА И УХОД

ОЧИСТКА

- Всегда выключайте комбайн и вынимайте сетевой шнур из розетки перед его очисткой.
 - Никогда не допускайте попадания влаги на двигатель, шнур питания или вилку.
 - Обращайтесь с лезвиями и режущими пластинами с осторожностью - они очень острые.
 - Некоторые продукты изменяют окраску пластика, это нормально и не вредит пластику, а также не отражается на аромате продуктов. протрите окрашенное место тканью, смоченной в растительном масле. Это поможет удалить окрашивание.
 - Не мойте детали кухонного комбайна в посудомоечной машине.
- двигатель/миксер
- Протирайте влажной тканью, затем вытирайте насухо.
 - Никогда не используйте абразивные вещества и не погружайте в воду.
- гомогенизатор
- 1 Наполните теплой водой, установите крышку и колпачок горловины, затем включите комбайн на высшую скорость на 20 - 30 секунд.
 - 2 Вылейте содержимое, ополосните водой; если гомогенизатор остался грязным, используйте щетку.
 - 3 Протрите и оставьте до полного высыхания на воздухе.
- Не замачивайте миксер в воде. Своевременно удаляйте влагу из миксера.
- другие части
- мойте вручную, затем тщательно вытирайте.

обслуживание и ремонт

- используйте комбайн только по его **непосредственному** назначению.
- если поврежден шнур питания, в целях безопасности замените его шнуром фирмы KENWOOD или другим подходящим шнуром.

Если Вам потребуется помощь:

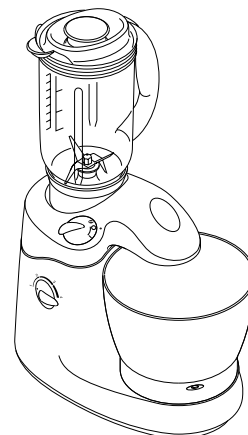
- при использовании кухонного комбайна
- в приобретении другой насадки
- для обслуживания или ремонта обратитесь в магазин, где вы приобрели кухонный комбайн.

рецепты

зимний суп

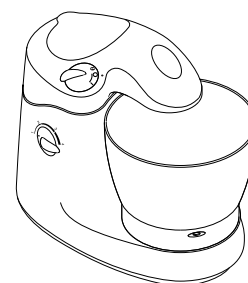
- Ингредиенты
- морковь, картофель и лук: по 16 кубиков каждого продукта размером 2 см
 - бульон из свиной грудинки
 - 100 грамм красной чечевицы, промытой
 - 250 мл овощного бульона
 - 400 г тонко измельченных консервированных томатов
 - соль и перец
 - 200 г готовой свиной грудинки, нарезанной кубиками в 1 см

- Способ приготовления
- 1 Положите морковь, картофель и лук в **гомогенизатор в указанной последовательности**.
 - 2 Добавьте бульон из свиной грудинки до объема в 1 литр.
 - 3 Включите гомогенизатор на 10 секунд.
 - 4 Вылейте смесь в кастрюлю. Затем добавьте чечевицу, томаты, овощной бульон и приправы.
 - 5 Доведите до кипения при непрерывном помешивании. Затем томите на небольшом огне в течение часа до полной готовности продуктов при регулярном помешивании.
 - 6 Добавьте грудинку, нарезанную кубиками, и подогревайте в течение 5 - 10 минут. Подавайте на стол немедленно.

**белый хлеб** (буханка или булочки)

- Ингредиенты
- 500 г муки высшего сорта
 - 1 чайная ложка соли
 - 15 г свиного сала
 - 15 г свежих дрожжей или 2 чайные ложки сухих дрожжей и 1 чайная ложка сахарной пудры
 - 300 мл теплой воды: 43°C. Используйте термометр или прибавьте 100 мл кипящей воды к 200мл холодной воды
 - **Никогда не превышайте максимальные количества продуктов,** приведенные на странице 2

- Способ приготовления
- 1 **Сухие дрожжи** (тип, который требует перевода в активное состояние): налейте теплой воды в емкость; затем добавьте дрожжи и сахар и подождите 5 - 10 минут до появления пены.
свежие дрожжи: покрошите в муку.
дрожжи других типов: следуйте указаниям изготовителя.
 - 2 Налейте жидкость в **чашу**. Затем добавьте муку (со свежими дрожжами, если они используются), соль и свиной жир.
 - 3 Установите **мешалки для теста**, а затем установите чашу.
 - 4 Включите комбайн, постепенно увеличивая скорость до максимума.
 - 5 Вымешивайте тесто до эластичного состояния - **никогда не вымешивайте дольше 10 минут** - комбайн перегреется.
 - 6 Поместите тесто в смазанный жиром полиэтиленовый пакет или в емкость, накрытую полотенцем. Затем оставьте на некоторое время в тепле до тех пор, пока оно не увеличится в объеме в 2 раза.
 - 7 Выложите тесто на посыпанную мукой поверхность; вымешивайте руками в течение 2 - 3 минут для удаления из теста воздуха. выполните эту операцию вручную, поскольку увеличившееся в объеме тесто может повредить ваш миксер.
 - 8 Придайте тесту форму буханки или сделайте 15 булочек и поместите на смазанный противень. Затем оставьте еще на некоторое время в тепле до тех пор, пока оно не увеличится в объеме в 2 раза.
 - 9 Выпекайте при температуре 230°C/на отметке 8 для газовых плит в течение 20 - 25 минут (для буханки) или 10 - 15 минут (для булочек).
 - 10 Когда хлеб готов, он будет издавать пустой звук при постукивании по нижней стороне буханки.



Kenwood Limited, New Lane, Havant, Hampshire PO9 2NH, UK
www.kenwood.co.uk

