



**Air-conditioner  
PAC 35**

**Instructions for use**

---

**Please read this instruction booklet carefully before installing and using the appliance. In this way, you will obtain the best possible results and maximum operating safety. In particular, refer to the safety warnings on page 24.**



## INTRODUCTION

The new PAC 35 consists of two units: the internal unit is designed to operate inside the room to be conditioned; the external unit is installed in the open.

The two units are connected by a special hose, approximately 3,5 metres in length. This hose contains the freon tubes, the electrical wiring and the condensation discharge tube.

## TECHNICAL DATA

For this equipment's technical features, read the plate listing those features.

Tube length	3500 mm
Tube size	20 x 44 mm
Dimensions (internal unit):	
• width	560 mm
• height	735 mm
• depth	355 mm
• weight	44 kg

Dimensions (external unit):	
• width	450 mm
• height	470 mm
• depth	210 mm
• weight	14 kg

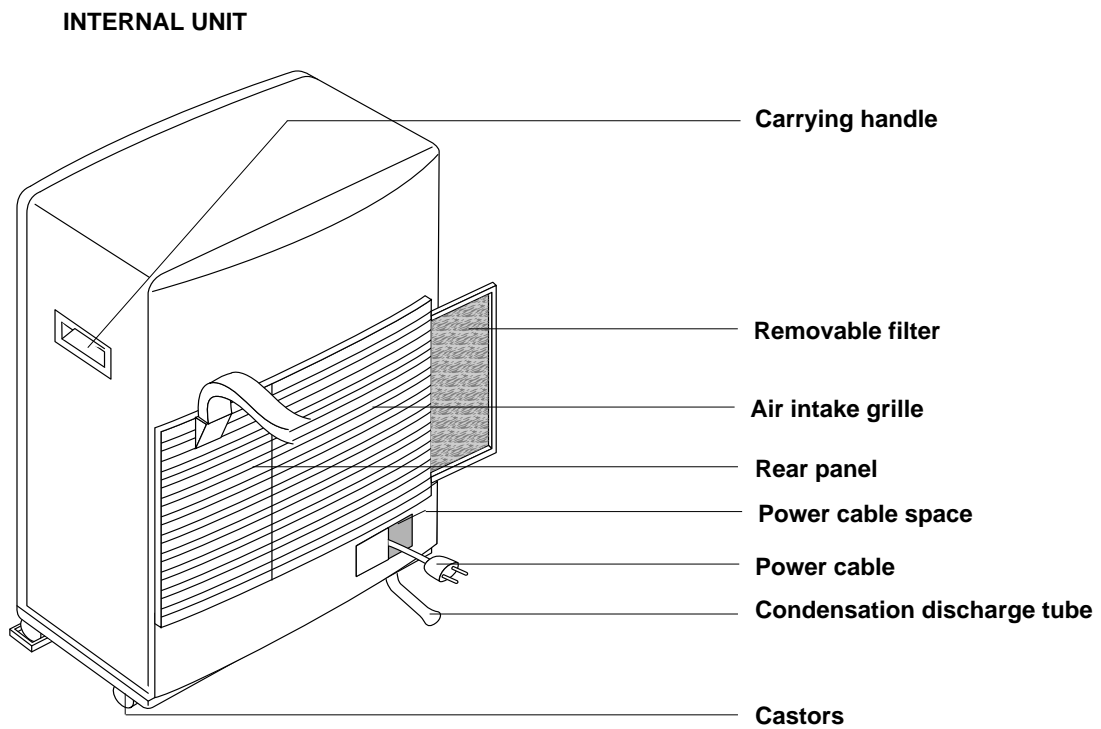
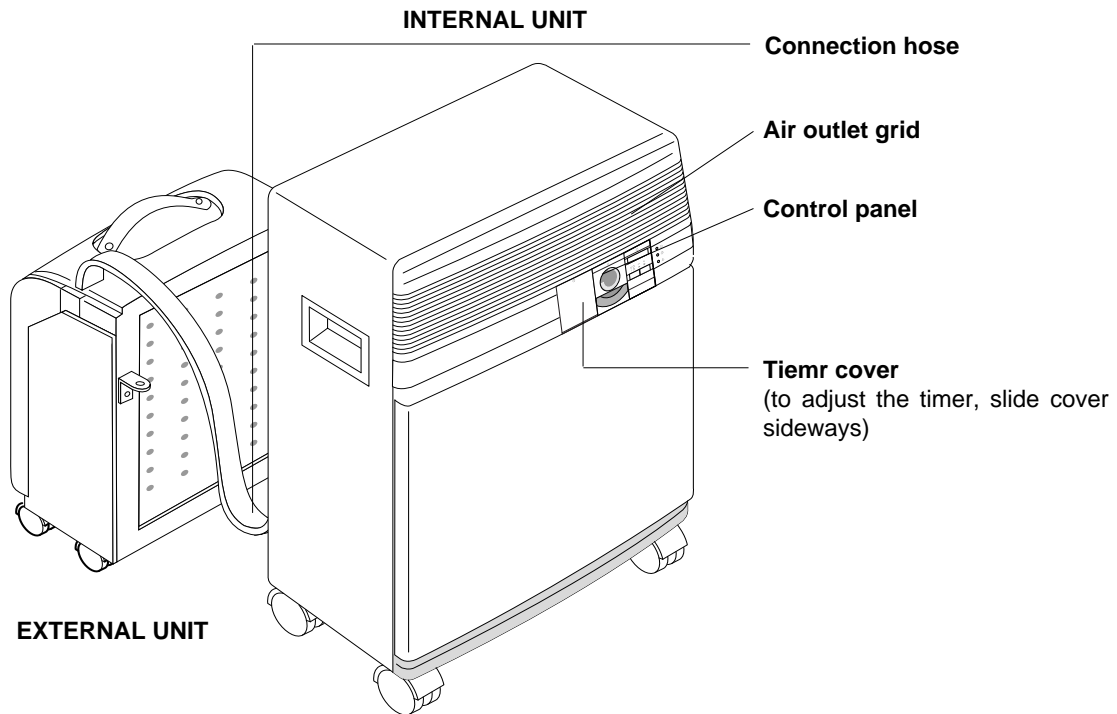
### IDEAL OPERATING CONDITIONS

Room temperature	21 ÷ 32°C
External temperature	21 ÷ 43°C



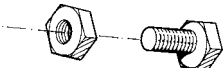

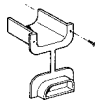

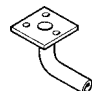
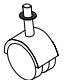
### CONDIZIONI STANDARD DI FUNZIONAMENTO:

Temperatura interna	27°C
	47% umidità relativa
Temperatura esterna	35°C
	41% umidità relativa

## DESCRIPTION



## ACCESSORIES

ILLUSTRATION	DESCRIPTION	NUMBER SUPPLIED
	Wall bracket	2
	Screws + wall plugs (Ø 6mm)	4
	Nut and bolt (Ø 5mm)	4
	Support belt with hook	2
	Frame for connector hose	1
	Castor stop	2
	Condensation drainage coupling	1
	Castors for external unit and washers	4

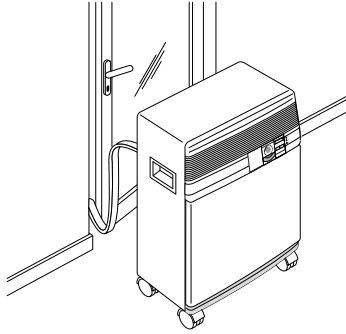
This appliance is fitted with a special **HE** (High Efficiency) system for extra-low energy consumption. When the unit is switched on, this system requires about 4 minutes before cold air is generated.

## INSTALLATION

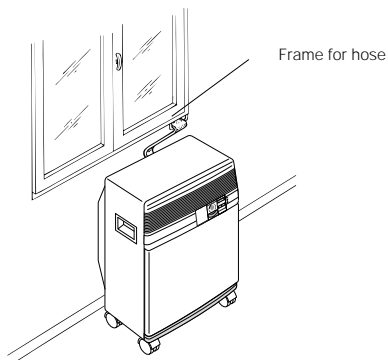
### MODELS WITHOUT SPECIAL COUPLINGS

The hose which connects the internal unit to the external unit can be positioned in two ways:

- a) Through a slightly-open window or door.

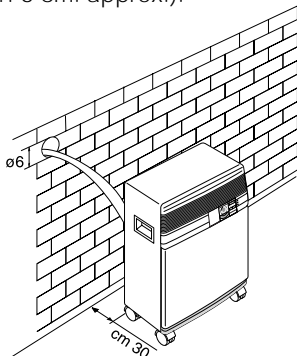


- b) Through a small hole (5.5 x 2.5 cm.) in the lower part of the door or window frame. In this case, it is necessary to use the special frame for the connection hose.



### MODELS WITH SPECIAL COUPLINGS

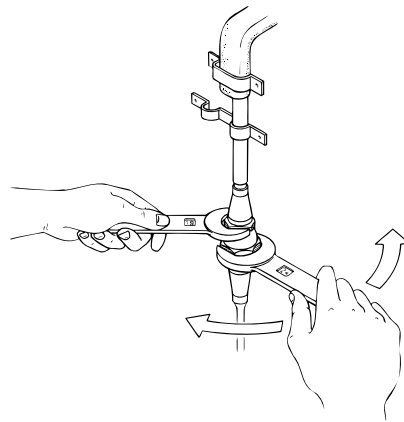
If your air-conditioner is fitted with the special rapid-fit coupling, the hose which connects the internal unit to the external unit can also be passed through a round hole in an external wall (diameter: 6 cm. approx.).



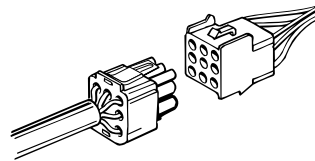
In this case, it is necessary to disconnect the internal unit as follows:

- 1) Remove the plug from the wall socket.
- 2) Remove the rear panel (on the back of the appliance) by unscrewing the four retaining screws.
- 3) Remove the metal brackets which fasten the hose to the appliance (N. 3).
- 4) Using a 24mm spanner, unscrew the union on the coupling. When doing this, use a 19mm. spanner to block the extremity of the hose in position.

Repeat this operation for the second union.



- 5) Detach the condensation hose from its coupling.
- 6) Disconnect the electrical connector socket by pressing the two retainer tabs.



The path of the connector hose should be as straight as possible, without sharp curves or kinks.

To re-connect the ends of the connector hose to the internal unit, repeat steps 1 to 6 in reverse order. The following precautions should be observed:

- Before passing the connector hose through the hole in the wall, the threaded ends of the rapid couplings should be protected using insulating tape or similar.
- Fit the two upper refrigerant couplings to the two lower couplings and tighten by hand, ensuring that they are correctly connected. Then use the spanner to tighten fully.
- After connecting the two refrigerant couplings, fasten the brackets.
- Check that the refrigerant couplings are sealed perfectly by wetting the couplings with a little soapy water. No soap bubbles should form.

**Attention**

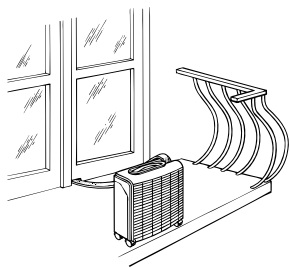
Connection and disconnection of the refrigerant couplings should be carried out by qualified personnel.

**INTERNAL UNIT**

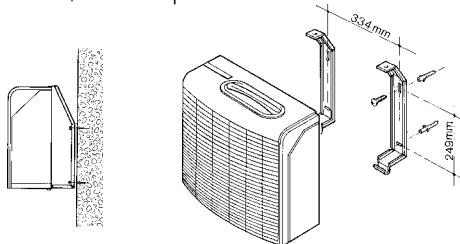
The internal unit should be installed in the room to be conditioned. Generally, the ideal position for the internal unit is under a window. In any case, it should be positioned near an external wall. The internal unit must be perfectly level. If necessary, use the castor stops supplied with the machine. The air intake and outlet grilles should not be obstructed in any way.

**EXTERNAL UNIT**

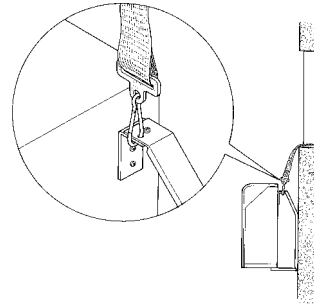
The external unit can be positioned on a terrace or balcony. In this case, it is not necessary to use the fixing brackets.



The external unit can also be mounted on a wall. In this case, use the special wall-mount brackets.



Alternatively, for temporary installation, the external unit can be hung as shown in the figure. In this case, use the special support belts (supplied with the appliance).



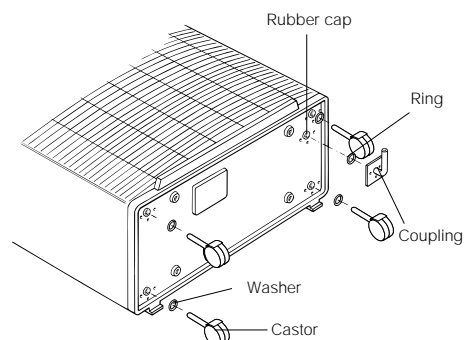
The external unit can be installed above or at the same level as the internal unit, provided that the difference in height between the two units does not exceed 1.5 m.

The intake and outlet vents must not be obstructed. Leave a space of at least 6 cm. between the rear of the unit and the wall.

The condensation which forms when the unit is used for air-conditioning (i.e. in summer) evaporates from the external unit.

If the humidity is particularly high, it may be necessary to fit the condensation discharge tube (supplied with the machine). In this case, fit the hose to the coupling on the bottom section of the external unit (remove the rubber cap from the coupling).

In the event there is still some condensation to be eliminated and the equipment is connected to its electrical feed, the waste pump may turn on spontaneously to get rid of that excess moisture even if the equipment itself has been turned off. The external unit should be protected from the elements (rain, snow, sun, etc.).



## ELECTRICAL CONNECTIONS

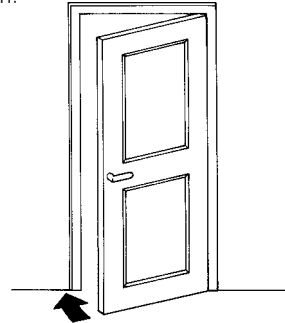
Before plugging the unit into the mains, check the following:

- the mains voltage must be the same as the voltage shown on the rating plate
- the power socket and the mains circuit must be suitable for the power requirements of the unit
- the socket must be suitable for the plug; if not, have the socket replaced
- the power socket must be properly earthed.

**The manufacturer declines all responsibility for any damage or injury arising from non-observance of this safety requirement.**

**This appliance is manufactured in compliance with EEC Directive EN 55014 regarding the suppression of radio interference.**

- Draw the curtains and/or partially close the blinds to protect the room against direct sunlight. This will increase the efficiency and economy of the air-conditioner.
- Do not place objects of any kind on the air-conditioner.
- Ensure that the air intake and discharge vents are not obstructed.
- Make sure that there are no sources of heat in the room.

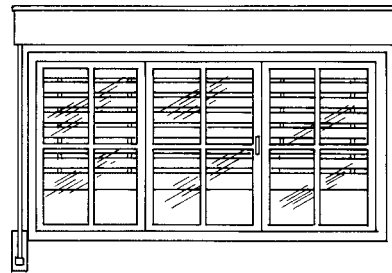


Close the doors

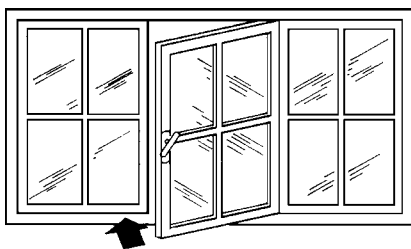
## FINAL CHECK

In order to ensure that your air-conditioner operates with the maximum efficiency, make sure that:

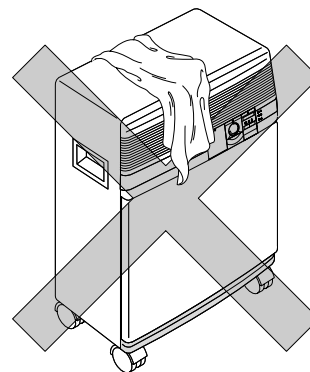
- all doors and windows in the room to be air-conditioned are closed (except for temporary installation, in which case a window must be left partially open).



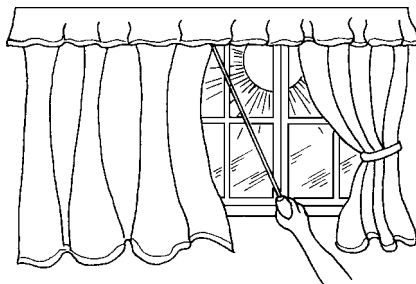
Lower the blinds



Close the windows



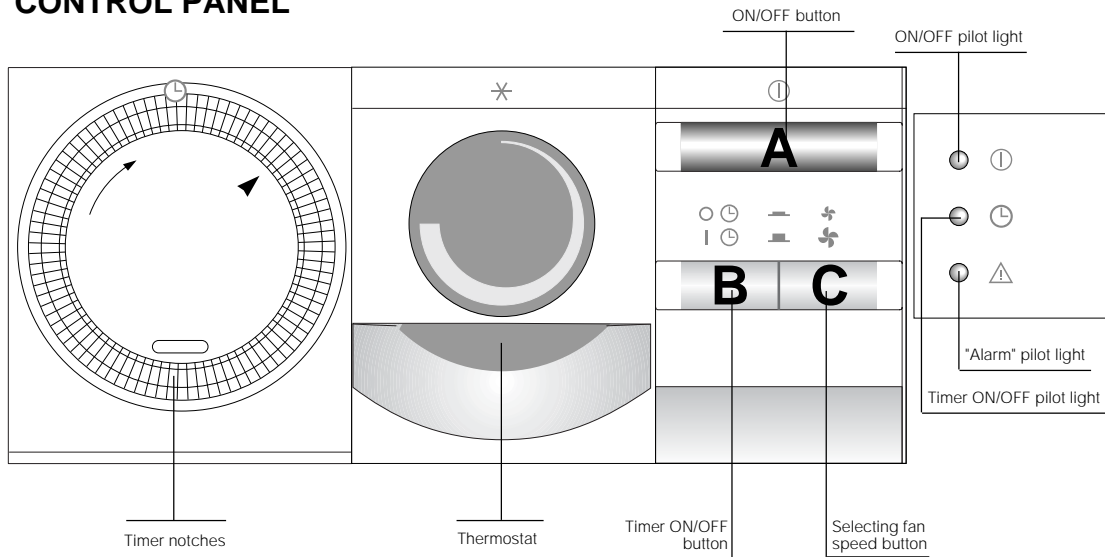
Do not cover



Draw the curtains

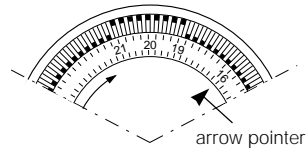
YOUR AIR-CONDITIONER IS NOW READY FOR USE.

## CONTROL PANEL



### SETTING THE TIMER

The programmer/timer, like all clocks, must be set to the exact time. If for example it is 4.00 pm. (16.00), turn the dial in a clockwise direction (following the direction of the arrow) until the number 16 is lined up with the triangular pointer (the arrows indicates 4:00 P.M. approximately).



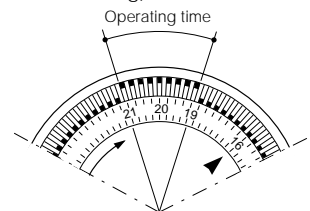
**Note:** Never turn the dial in an anti-clockwise direction!

The timer is in effect, an electric clock and works only if the plug is connected to the power supply. Whenever the plug is disconnected or there is a power failure, the programmer stops (the clock is then "slow") and must be re-set.

The unit can be used in either **programmed** or **non-programmed** mode.

### PROGRAMMED MODE

- 1) Release B TIMER button
- 2) Set the operating times by pushing out the notches on the dial corresponding to the period required (each notch represents 15 mins.)
- 3) Check that the timer indicates the correct time (see instructions on setting).



- 4) Select the desired function as shown in the chart overleaf.  
The unit will now switch on and off each day at the selected times.

**Note:** To override the programmed operating times, simply press the ON/OFF key.

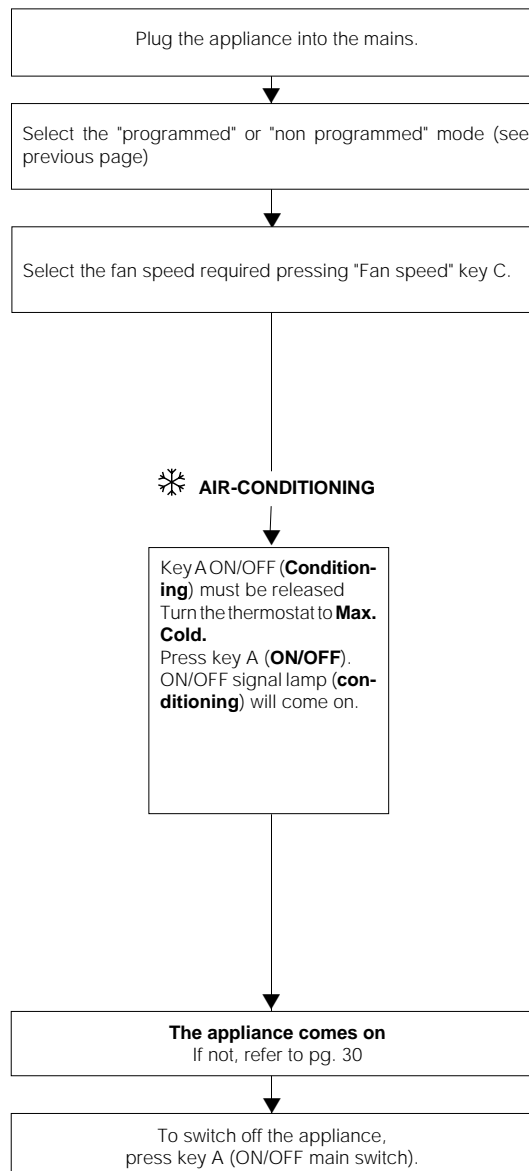
### NON-PROGRAMMED MODE

- 1) B TIMER button must be pressed
- 2) Select the desired function as shown in the chart on the following page.

**Note** For technical reasons, the temperature is not expressed in degrees but by a line increasing in thickness. We therefore recommend that when starting up the appliance, the thermostat be turned to maximum (thick green line = maximum cold). When the desired temperature has been reached, turn the thermostat slowly away from the maximum cooling position until the appliance switches off. Leave the thermostat in this position. The air-conditioner is now programmed to maintain the exact temperature at all times.



## HOW TO START UP THE CONDITIONER (see control panel on the opposite page)



**The "Timer On/OFF" pilot lamp only comes on with the programmed mode.**

**This appliance is fitted with a special safety circuit. When the compressor switches off, this circuit prevents it from switching on again for at least 3 minutes.**

## MAINTENANCE

Always remove the plug from the power socket before carrying out any cleaning or maintenance operations.

The air-conditioner must never be washed with running water.

### CLEANING THE CABINET

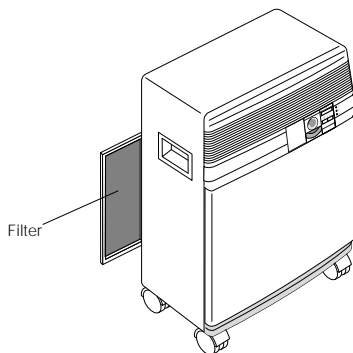
Clean the cabinet with a damp cloth and dry carefully with a dry cloth.

### Warning

Never use petrol, methylated spirits or solvents for cleaning. Never spray insecticides or similar products on the appliance, as these may seriously damage the paintwork and plastic.

### CLEANING THE AIR FILTER

- If the air filter is dirty, air circulation is reduced and the efficiency of the air-conditioner will be diminished. It is therefore recommended to clean the filter at weekly intervals.
- Remove the filter as shown in the figure.



- Use a vacuum cleaner to remove the dust from the filter. If the filter is very dirty, wash it in lukewarm water and rinse thoroughly. The temperature of the water should not exceed 40°C. Allow the filter to dry before replacing it in the appliance.

### AT THE BEGINNING OF THE SEASON

Check that the power cord and the plug are undamaged and that the power socket is properly earthed.

Ensure that the installation procedures are followed meticulously.

### AT THE END OF THE SEASON

Switch off the appliance by pressing the ON/OFF key.

Remove the plug from the drainage tube and empty the water from the internal condensation tray.

Clean the filter, and dry it carefully before replacing.


Cover the appliance with a plastic bag to protect it from dust.

### IMPORTANT

- This appliance is designed to cool domestic environments, and should not be used for any other purpose.
- Any attempts to modify or alter the characteristics of the appliance may be dangerous.
- Should repair be necessary, contact your nearest authorised Service Centre. Any repairs carried out by unqualified personnel may be dangerous.
- This appliance must be properly earthed. Have your electrical system checked by a qualified electrician.
- Avoid the use of extension cords.
- Always remove the plug from the power socket before performing any cleaning or maintenance operations.
- Do not move the appliance by pulling the power cord.
- Do not install the appliance in a room which might contain gas, oil or sulphur, or near sources of heat.
- Do not place hot or heavy objects on the appliance.
- Clean the air filter at least once weekly.
- The appliance should be transported in the upright position or placed on its side. Empty the condensation tray before transporting the appliance. After transportation, wait at least one hour before switching on the appliance.

## TROUBLESHOOTING

Most malfunctions are caused by a very minor and easily solved problem. Before contacting your nearest authorised Service Centre for assistance, consult the troubleshooting chart below.

PROBLEM	CAUSE	SOLUTION
<b>The air-conditioner does not function</b>	<ul style="list-style-type: none"> <li>• power failure</li> <li>• the appliance is not plugged in</li> <li>• less than 3 minutes have passed since the appliance was last switched off</li> <li>• Timer key is in STOP position</li> </ul>	<ul style="list-style-type: none"> <li>• wait until the power supply is restored</li> <li>• insert the plug</li> <li>• wait three minutes</li> <li>• release the TIMER key</li> </ul>
<b>Il condizionatore funziona solo per poco tempo. The  pilot lamp comes on</b>	<ul style="list-style-type: none"> <li>• the safety float has switched the appliance off because the condensation tray inside the appliance is full</li> </ul>	<ul style="list-style-type: none"> <li>• remove the plug from the drainage tube and drain the condensation from the tray.</li> </ul> <p>If this fault persists, contact your nearest Service Centre.</p>
<b>The appliance functions for only brief periods because reset switch activates</b>		<ul style="list-style-type: none"> <li>• switch the appliance off and contact your nearest Service Centre</li> </ul>
<b>The air-conditioner functions but the room is not cooled</b>	<ul style="list-style-type: none"> <li>• window open</li> <li>• source of heat in the room (heater, lamp, etc.) or the room is very crowded</li> <li>• the thermostat is set too high</li> <li>• the air filter is dirty</li> <li>• the air-conditioner is not powerful enough for the size or the conditions of the room</li> </ul>	<ul style="list-style-type: none"> <li>• close the window</li> <li>• remove source of heat</li> <li>• lower the thermostat setting</li> <li>• clean the filter</li> </ul>