

IMPORTANT

Read this manual thoroughly before using the appliance. This will ensure optimum results and maximum safety. Save these instructions for future reference.

IMPORTANT SAFEGUARDS

Read the following instructions carefully.

- Before using the appliance, check that the mains supply voltage corresponds to the voltage indicated on the rating plate. Connect the appliance to an efficiently earthed power supply and sockets with a minimum current rating of 10 A only.
- If the socket and power cable plug are incompatible, the socket should be changed by a qualified professional only.
- The safety of this appliance is guaranteed only if correctly connected to an efficient earth system as specified by current electrical safety standards and regulations. The manufacturer cannot be considered responsible for damage caused by the absence of an earth connection on the power supply line. If in doubt, consult a qualified professional.
- Do not leave the iron unattended when plugged in.
- Never leave the appliance filled with water in a room where it will be subject to a temperature below or equal to 0°C.
- After removing the packing, make sure the appliance is not damaged. If in doubt, do not use the appliance and contact a qualified professional.
- Do not leave packaging (plastic bags, polystyrene foam, etc) within reach of children as it could be dangerous.
- Adapters, multiple sockets and/or extensions should not be used. If their use is necessary, only adapters, multiple sockets and extensions complying with current safety standards and regulations should be used, taking care not to exceed the power limit indicated on the adapter.
- This appliance is intended for household use only. Any other use is considered improper and thus dangerous.
- Noises could occur when the steam generator is heating up or cooling down. This is due to normal expansion of the metal it is made from.
- The manufacturer is not liable for damage caused by inappropriate, incorrect or irresponsible use or for damage resulting from repairs carried out by unqualified personnel.
- If the tank door is damaged, replace it with an original spare part.
- To repair or if the power cable is damaged and requires replacement, contact an authorised Customer Service Centre in order to avoid compromising the efficiency of your appliance and guarantee the validity of the guarantee. For the same reasons, you are always recommended to use original spare parts.
- Use the iron rest provided **ONLY**. If it is damaged, use an original replacement only.
- **IMPORTANT!!**
In the case of malfunction, steam is discharged through a safety valve on the bottom of the control unit. You will hear a loud whistling noise caused by opening of the valve. You should immediately turn the appliance off, unplug and contact an authorised service centre. Do not use the ironing system for dry ironing without the steam generator!!

The use of all electrical appliances implies the observance of some fundamental rules. **IN PARTICULAR:**

- Never touch the appliance with wet or damp hands or feet.

- Never immerse the appliance in water.
- Never use the appliance in bathrooms.
- Never pull the power cable or the appliance with wet or damp hands or feet.
- Never allow the appliance to be used by persons (including children) with psychological, physical or sensory impairments or with insufficient knowledge, unless closely supervised and instructed by someone responsible for their safety. Always supervise children. Make sure they do not play with the appliance.
- Never leave the appliance plugged in as it could be a safety hazard.
- **IMPORTANT:** the tube connecting the iron to the steam generator may become hot.
- Before cleaning or servicing, disconnect the appliance by unplugging from the mains.
- Before cleaning or servicing, disconnect the appliance by unplugging from the mains.
- In the event of malfunction or faulty operation, switch off and do not attempt to repair. For all repairs contact a Customer Service Centre appointed by the manufacturer only and ask for original spare parts. Failure to respect the above could reduce the safety of the appliance.
- When the appliance is to be discarded, after unplugging from the mains, the cable should be cut to make the appliance unusable.
- The power cable of this appliance should not be changed by the user. If it is damaged or needs replacing, contact a Customer Service Centre appointed by the manufacturer.
- To add water, use the switch (7) to turn the ironing system off. Never fill the appliance under running water. Disconnect the appliance before refilling.
- All contact between the hot base and cables must be rigorously avoided.
- If the safety thermistor is activated, the appliance switches off automatically. Before re-use, it must be serviced by a qualified professional.
- Do not direct the steam jet toward people as this could be dangerous.
- Do not use the iron on excessively damp clothes.
- After ironing, allow the iron to cool before putting away.
- **NEVER** mix the water in the tank (5) with stain removers, additives or perfumed oils. This reduces the safety of the appliance and irreparably damages the steam generator which would have to be replaced.
- Unplug the appliance when not in use. Do not leave plugged in unnecessarily.
- During use, the steam generator should not be moved.
- The iron is not to be used if it has been dropped, if there are visible signs of damage or if it is leaking.
- If the ironing system is dropped causing visible damage to the appliance (steam generator or iron), do not use. Take to an authorised service centre.
- The steam generator should be placed on a flat surface extremely resistant to high temperatures.
- The iron must be used and rested on a stable surface.
- When placing the iron on its stand, ensure that the surface on which the stand is placed is stable.

This appliance complies with directive 89/336/EEC on radio interference suppression.

DESCRIPTION

- 1) Steam button lock (certain models only)
- 2) Steam discharge button
- 2A) Steam discharge trigger (certain models only)
- 2B) Steam discharge wheel with top and bottom activation and end lock for continuous delivery (certain models only).
- 3) Iron thermostat knob
- 4) "Iron at temperature" indicator light
- 5) Cable wands
- 6) Iron rest
- 7) ON/OFF switch
- 8) Cable winder (certain models only)
- 9) Housing for cable wands
- 10) Steam regulation knob
- 11) "No water" indicator
- 12) Water fill door
- 13) "Steam ready" indicator light
- 14) Sole plate for delicate garments (certain models only)
- 15) Antical System

USEFUL TIPS

- The original appearance and softness of fabrics such as velvet or wool, or gloves, bags etc. can be restored by passing the iron a short distance away with the steam jet in operation.
- To remove the marks left by furniture and restore carpets to new, allow the steam to penetrate into the flattened pile and brush lightly.
- Do not rest or use the iron on zips, hooks, rings etc to avoid scratching the plate.
- Keep the surface of the plate clean. To clean, when cold, wipe the surface with a damp cloth. The iron must never be treated with descaling products.
- After use, always wait for the iron to cool down before putting away. When the iron is hot, take care not to touch the tank.
- Store the iron in a dry place.
- After ironing, the water remaining in the tank need not be drained. However, the appliance should be drained of water if left unused for long periods.
- Separate clothes according to the recommended ironing temperature and begin ironing with items requiring the lowest temperatures.
- Silk may be dry-pressed on the reverse.

- Wool, cotton and fine linen can either be steam-ironed on the reverse or on the right side, interposing a thin cloth between the iron and the fabric to avoid "shine".

Starched fabrics require greater moisture.

Iron whites and light colours on the right side and dark colours on the reverse. Embroidery should also be ironed on the reverse to make it stand out.

- Linen can be steam-ironed with abundant steam. Iron dark colours on the reverse to avoid "shine".

Iron lapels on the right side to make them stand out.

- Each time the iron is used (including for the first time) or if you have not used the steam for several minutes, press the steam button several times away from the ironing board.

This will eliminate cold water from the steam circuit.

- During use, the iron can be rested in a "vertical" position (fig. 3). However, make sure the surface is even to avoid the iron falling over.

- The ironing system has two cable wands.

Before starting to iron, you should put the cable wand in the correct position to optimise movement of the iron feed tube and avoid obstructing ironing.

If you are right-handed, extract the left wand by pulling out first the back part then the front with an upwards movement (fig. 1). Then position the wand in the housing in line with the other wand (fig. 2).

If you are left-handed, perform the above operation with the right wand (fig. 3).

To put the wand away after ironing, perform the operation in reverse, inserting first the front part, then the back.

Important: during ironing, the wand fixed to the base of the control unit could become hot.

Do not touch!

INSTRUCTIONS

STEAM IRONING

Before steam ironing, make sure the fabric is suitable for this kind of ironing.

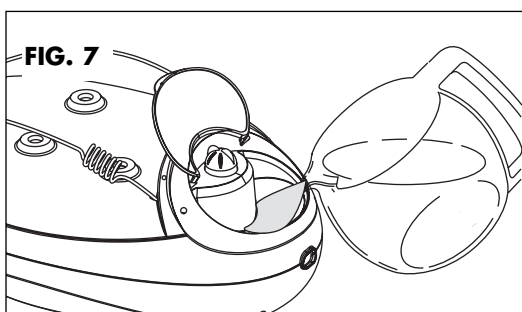
The machine works with normal tap water.

In case of very hard water (hardness above 27°F) we suggest using 50% demineralised water and 50% tap water. Never use chemical substances or detergents (eg perfumed water, essences, descaling solutions, etc) or mineral water.

Filling the tank and connecting to the mains

Make sure the power cable is unplugged from the mains socket.

Lift the fill door (12) using the special tab. Top up until you see water appear in the filling area (fig. 7).



Always top up with water each time you turn your ironing system on, even if you want to dry iron.

This will prolong the life of your ironing system and once working pressure has been reached (about 2 minutes), the resistor will be disconnected, enabling you to save electricity.

Then plug the appliance into the mains.

Operation

Push the ON/OFF switch (7) to turn power to the steam generator on. The "steam ready" light (13) and "iron at temperature" light (4) come on.

NB: When used for the first time, the appliance may give off smoke and an odour for several minutes. This is caused by heating and subsequent drying of the sealers used in assembling the steam generator and iron.

The room should be ventilated.

It is also normal to hear the noise of the pump conveying water to the steam generator.

Position the thermostat regulation knob (3) in the area indicated in the figure according to the type of fabric to be ironed (fig. 5).

Wait for the "steam ready" (13) and "iron at temperature" (4) lights to go out before starting to iron.

NB: both indicator lights will go on and off during ironing, according to the temperature reached by the steam generator and iron. This is part of normal operation and is not a cause for concern.

While ironing, it is normal to hear the water fill pump come on and go off. This is caused by transfer of water from the tank to the steam generator. This is part of normal operation and is not a cause for concern.

The steam regulation knob (10) enables the quantity of steam to be increased or decreased.

NB: When you turn the iron on, you are recommended to turn the steam regulation knob to the maximum steam position.

Steam discharge in models with professional iron

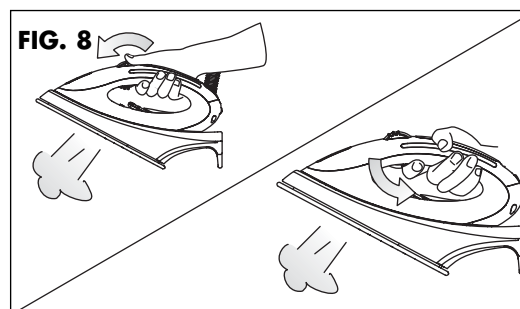
To obtain steam, press the steam button (2) located on the iron.

NB: If your iron has both the button (2) and trigger (2A), you can choose to use either the top button or the bottom trigger as you prefer.

In certain models with professional iron, a slide (1) allows a continuous output of steam to be obtained by keeping the steam button pressed down mechanically, avoiding the need to do so manually. To use, simply press the button (2) and slide the lock backwards. To release the button, slide the lock forwards.

Steam discharge in models with domestic iron

To obtain steam discharge, rotate the wheel (2B) forwards. The wheel can be rotated from the bottom of the handgrip (fig. 8).

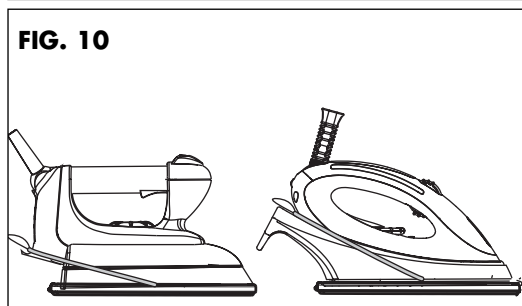
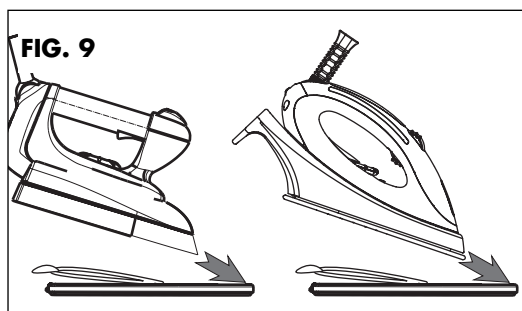


To obtain **continuous steam** rotate the wheel forwards until it locks into place.

Using the sole plate accessory (certain models only)

The sole plate guarantees excellent ironing results on dark fabrics which tend to become shiny and synthetic fabrics which may stick to the iron. It should never be used to iron mohair, cashmere, velvet or angora (these should be ironed at a distance).

To use the sole plate, fit the tip of the iron into the front of the sole plate, keeping the back of the iron raised (fig. 9). Lower the iron and block the sole plate in place by pulling the tab and hooking the spring to the back of the iron (fig. 10).



The plate is inserted.

Use the sole plate with the plate at a **low temperature**. Set the plate temperature with the knob in a position with three dots or less (fig. 5). Never use the sole plate at maximum temperature.

When you have finished ironing, always detach the sole plate by pulling the tab and removing the plate, raising the back of the iron. **Be careful to avoid burns.**

Topping up the tank with water

When the water in the steam generator runs out, the light (11) comes on. You should top-up the water in the tank as soon as possible (max. 2 minutes) following the same procedure as filling for the first time. This will enable you to continue ironing without interruption.

If you top up too late (more than 2 minutes), the system will stop discharging steam. Once the level of water in the tank has been topped up, the appliance will operate as if turned on for the first time.

Steam will be ready in 5 minutes and during these 5 minutes you can hear the pump fill 4 or 5 times for about 30 seconds.

The steam generator is now stabilised and will operate as normal, filling the water every now and then.

When the "no water" light (11) comes on, you should not continue steam ironing with the pump vibrating. If this practice is continued, in the long run it could irreparably damage internal components.

- When the water in the tank has run out, the pump becomes noisier. This is part of normal operation and is not a cause for concern. However, as described above, you should immediately top up the water in the tank.
 - Never leave the water fill door (12) open: after topping up the level of water in the steam generator, you should close it to avoid ruining the iron plate.
- After finishing ironing, you should put the ironing system away with the door tightly closed to avoid dust and foreign bodies falling into the tank and possibly jeopardising operation of the pump.

DRY IRONING

Plug the appliance into the mains.

Press the switch (7) to turn power to the appliance on. The indicator lights (4) and (13) come on. Position the thermostat regulation knob (3), according to the type of fabric to be ironed (fig. 5).

When dry ironing, do not use the steam control (2 or 2B).

NB: When the iron has reached the selected temperature, the indicator light (4) goes out.

AFTER IRONING

Wait until the iron has cooled down, then put the iron rest back in its original position.

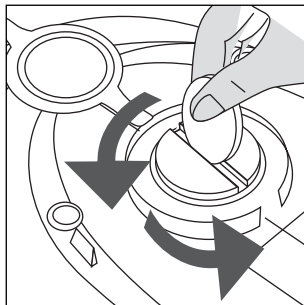
When the iron is hot, take care not to touch the tank.

Certain models are provided with a cable winder.

CLEANING THE STEAM GENERATOR

To maintain optimum efficiency, rinse the steam generator with water after every 10 ironing sessions. Proceed as follows:

- use up all the water in the ironing system tank by discharging steam until the "no water" light (11) comes on;
 - turn the appliance off and unplug from the mains;
 - **after turning off, leave for about two hours for the appliance to cool down completely;**
 - place the appliance in a sink, making sure the iron is on a stable surface and not in the sink itself;
 - remove the rubber bung covering the cap (15);
 - unscrew the cap using a coin (fig. 6);
 - using a jug, fill the steam generator with 1/4 litre of water, taking care not to pour water into the slits in the bottom of the appliance;
 - screw up the cap again, turn the appliance over and shake the body for 15/20 seconds;
 - turn the appliance back the right way up. Unscrew the cap and completely drain the steam generator.
 - repeat at least once, then screw up the cap firmly with a coin and replace the rubber bung
- Make sure the cap is screwed on tightly!**



Always close the rubber bung and never use the appliance without cap.

Never use descalers or detergents to rinse the steam generator. Use tap water only. Avoid placing the appliance under running water as the water could penetrate through the slits.

After this operation, you should leave the appliance

turned off for 24 hours to allow all traces of water left in the control unit to evaporate.

IMPORTANT INFORMATION FOR CORRECT DISPOSAL OF THE PRODUCT IN ACCORDANCE WITH EC DIRECTIVE 2002/96/EC.



At the end of its working life, the product must not be disposed of as urban waste.

It must be taken to a special local authority differentiated waste collection centre or to a dealer providing this service.

Disposing of a household appliance separately avoids possible negative consequences for the environment and health deriving from inappropriate disposal and enables the constituent materials to be recovered to obtain significant savings in energy and resources. As a reminder of the need to dispose of household appliances separately, the product is marked with a crossed-out wheeled dustbin

ELECTRICAL CONNECTION (UK ONLY).

- A) If your appliance comes fitted with a plug, it will incorporate a 13 Amp fuse. If it does not fit your socket, the plug should be cut off from the mains lead, and an appropriate plug fitted, as below.
WARNING: Very carefully dispose of the cut off plug after removing the fuse: do not insert in a 13 Amp socket elsewhere in the house as this could cause a shock hazard.
With alternative plugs not incorporating a fuse, the circuit must be protected by a 15 Amp fuse.
If the plug is a moulded-on type, the fuse cover must be re-fitted when changing the fuse using a 13 Amp Asta approved fuse to BS 1362. In the event of losing the fuse cover, the plug must NOT be used until a replacement fuse cover can be obtained from your nearest electrical dealer. The colour of the correct replacement fuse cover is that as marked on the base of the plug.
- B) If your appliance is not fitted with a plug, please follow the instructions provided below:

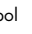
WARNING - THIS APPLIANCE MUST BE EARTHED **IMPORTANT**

The wires in the mains lead are coloured in accordance with the following code:

Green and yellow:	Earth
Blue:	Neutral
Brown:	Live



As the colours of the wires in the mains lead may not correspond with the coloured markings identifying the terminals in your plug, proceed as follows:

The green and yellow wire must be connected to the terminal in the plug marked with the letter E or the earth symbol  or coloured green or green and yellow.

The blue wire must be connected to the terminal marked with the letter N or coloured black.

The brown wire must be connected to the terminal marked with the letter L or coloured red.

Subject to changes