



5712410051 / 07.14

## Consumer Helpline

## De'Longhi Evaporative Cooler

### Australia

Phone: 1800 126 659

Fax: 1800 007 289

### New Zealand

Phone: 0508 200 300

Fax: 0508 200 301

[www.delonghi.com.au](http://www.delonghi.com.au)

[www.delonghi.co.nz](http://www.delonghi.co.nz)

Distributed by De'Longhi Australia Pty Ltd.

ABN 49 104 012 857

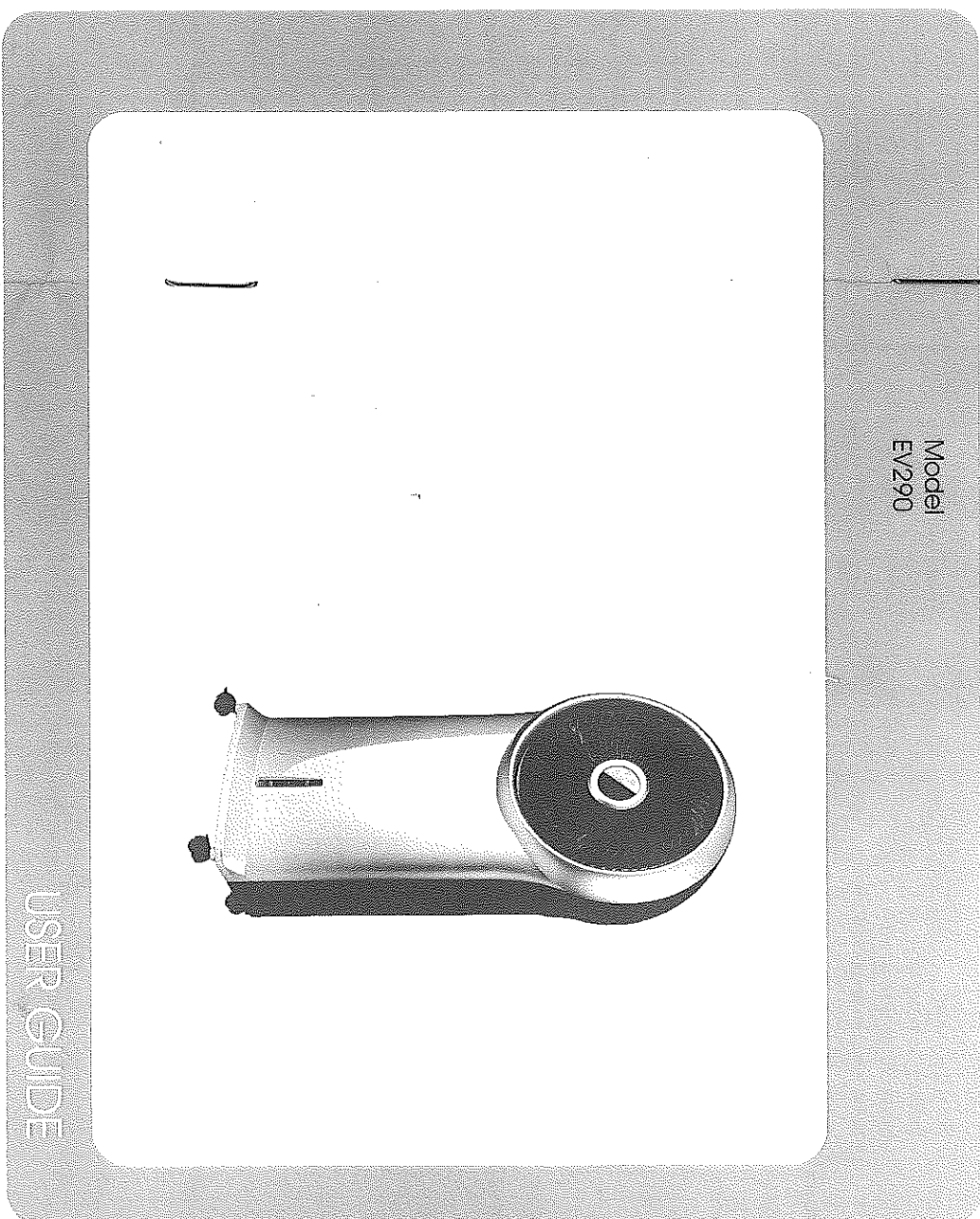
P.O. Box 4540 Casula Mall, NSW 2170

Distributed by De'Longhi New Zealand Ltd.  
P.O. Box 58-056 Botany, MANUKAU 2163



is a registered trademark  
of De'Longhi Australia Pty Ltd.  
ABN 49 104 012 857

© 2014 De'Longhi Australia Pty Ltd.



Model  
EV290

USER GUIDE

Please read this user guide carefully and retain for future reference

Parts and Features ..... 03

De'Longhi Safety Precautions ..... 05

Evaporative Cooler Safety Precautions ..... 06

Using your Evaporative Cooler ..... 09

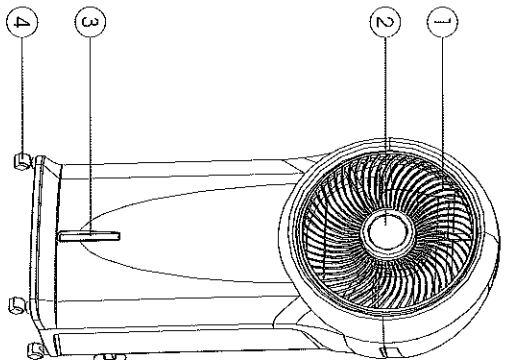
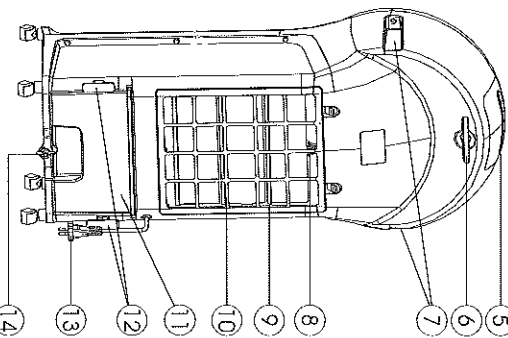
- Unpacking
- Using the Cooler
- Refilling the Water tank
- Using the Ice Box
- Using the Remote control

Care and Cleaning ..... 12

Help us Help You ..... 13

Warranty Information ..... 14

**Model: EV290**

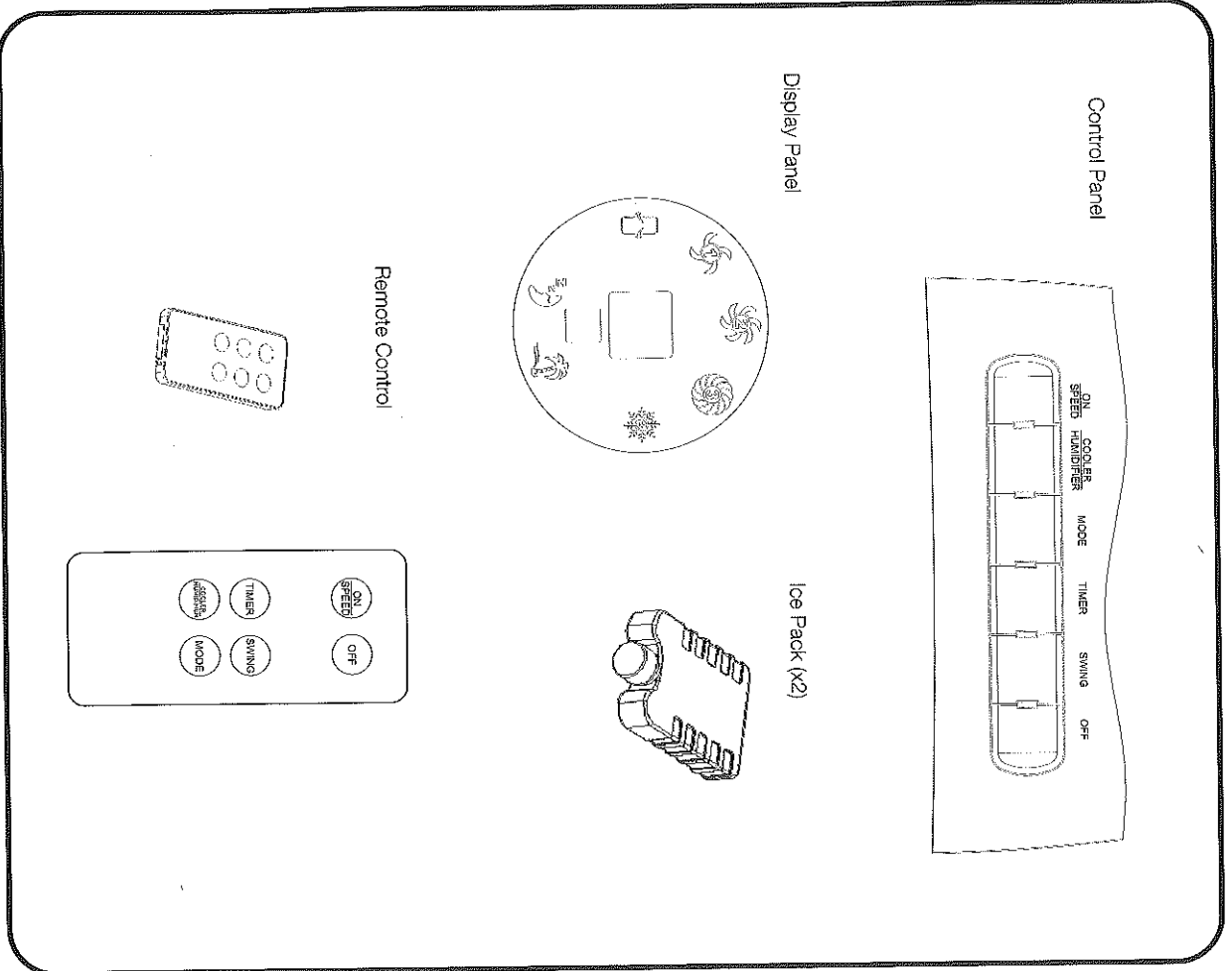



**Components:**

1. Rotating Vent
2. Display panel
3. Water level indicator
4. Caster
5. Control panel
6. Remote Control slot
7. Handle
8. Cooling Pod knob
9. Cooling Pod holder
10. Dustproof filter
11. Water tank
12. Power cord bracket
13. Power cord
14. Water tank knob

**SPECIFICATIONS:**

<b>Dimensions</b>	<b>Voltage</b>
Height 890mm	220-240V
Width 408mm	Frequency 50 Hz
Depth 282mm	Input 110W
	Noise ≤66dB
	Air Flow Speed 10m/s, 550m³/h
	Evap. Capacity 1100ml/h (room humidity 20-30%)
	EER ≥9W/W
	Appl. Environment 5-25°C, RH<95%



De'Longhi pride themselves on their innovative range of the highest quality consumer products. De'Longhi ensures all of its products are 100% safe through quality design and manufacture. All products meet or exceed stringent laboratory-tested safety requirements.

It is necessary for anyone using an electrical appliance to be safety conscious. The following precautions are essential for the safe use of an electrical appliance. Carefully read all of the instructions provided with your appliance:

- Always turn the power off at the power outlet before you insert or remove a plug. Remove by grasping the plug, do not pull on the cord.
- Do not use your appliance with an extension cord unless this cord has been checked and tested by a qualified technician or service person. The extension cord must be a VDE-Listed, 3-wire grounding extension cord that has a grounding plug and outlet and that the electrical rating of the cord is 220-240 volts and at least 10 amperes.
- Always use your appliance from a power outlet of the voltage (A.C. only) marked on the appliance.
- Do not use an appliance for any purpose other than its intended use.
- Do not attempt to repair an electrical appliance. Return a damaged or malfunctioning appliance to a qualified service centre for adjustment or repair if required.
- The appliance must be positioned so the AC plug is accessible.

- This appliance is designed exclusively for household use. All other uses are strictly forbidden.
- The appliance is not intended for use by persons (including children) with reduced physical, sensory or mental capabilities, or lack of experience and knowledge, unless they have been given supervision or instruction concerning use of the appliance by a person responsible for their safety.
- Children should be supervised to ensure that they do not play with the appliance.
- If the supply cord is damaged, it must be replaced by the manufacturer, its service agent or a similarly qualified person in order to avoid a hazard.

**IMPORTANT SAFETY INSTRUCTIONS -  
READ ALL INSTRUCTIONS BEFORE USING,  
AND SAVE FOR FUTURE REFERENCE.**

Your safety and the safety of others is very important. Safety messages are displayed in this manual and on your appliance.

Read and obey these safety messages as they will alert you to potential hazards and tell you how to reduce the chance of injury.



**Safety Alert Symbol**  
This symbol alerts you to potential hazards.

**▲ DANGER ▲**

**Danger**  
Danger indicates a high level of risk to yourself and others. Ensure that care is taken to avoid severe injury or even death.

**▲ WARNING ▲**

**Warning**  
Warning indicates a moderate level of risk to yourself, others and the product. Ensure that care is taken to avoid extensive product damage or serious injury.

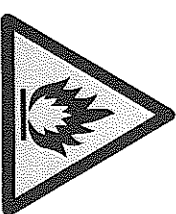
**CAUTION**

**Caution**  
Caution indicates a level of risk to yourself, others and the product. Ensure care is taken to avoid moderate product damage or injuries.

**Evaporative Coolers**



Before the appliance is used, it must be properly positioned and installed as described in this manual, so read the manual carefully. To reduce the risk of fire, electrical shock or injury when using the appliance, follow basic precaution, including the following:



**Caution:**  
risk of fire

**▲ DANGER ▲**

- Plug into a grounded 3-prong outlet, do not remove grounding prong, do not use an adapter, and do not use an extension cord.
- It is recommended that a separate circuit, serving only your appliance be provided. Use receptacles that cannot be turned off by a switch or pull chain.
- Never clean appliance parts with flammable fluids. These fumes can create a fire hazard or explosion. And do not store or use gasoline or other flammable vapours and liquids in the vicinity of this or any other appliance. The fumes can create a fire hazard or explosion.
- Do not connect or disconnect the electric plug when your hands are wet. There is a potential hazard of electric shock.
- Turn off and unplug the appliance before cleaning or servicing. Failure to do so can result in electrical shock or death.
- Unplug the appliance during filling.
- DO NOT insert any objects such as wooden sticks or metal sticks into the appliance. It may lead to leakage, short circuit, or product damage.

**▲ WARNING ▲**

- If something is wrong with the product, please send it to an authorised service centre or call a De'Longhi representative. Do not attempt to repair or replace any part of your appliance unless it is specifically recommended in this manual. All other servicing should be referred to a qualified technician.
- Unauthorised disassembly will affect the safety of the product.
- DO NOT spray pesticide or any other flammable sprays near the product.
- When cleaning or filling the appliance, please turn it off and unplug the power cord. Do not proceed until it has completely stopped functioning.
- If you notice an abnormal smell or sound during use, please turn off the appliance immediately and unplug the power.
- DO NOT shower the appliance in water, it may lead to electrical shock, leakage, short circuit or product damage.
- To ensure proper ventilation for your appliance, the front of the unit must be completely unobstructed. This unit must be installed in an area protected from the element, such as wind, rain, water spray or drips.
- The appliance must be installed with all electrical, water and drain connections in accordance with state and local codes. A standard electrical supply (220-240V AC only, 50 Hz), properly grounded in accordance with the local codes and regulations.
- Do not locate the appliance next to ovens, grills or other sources of high heat.

- The fuse (or circuit breaker) size should be 10 amperes.
- Operate the appliance on a level surface.
- Keep ventilation openings clear of obstruction.
- This appliance is intended to be used in household and similar applications eg:
  - staff kitchen areas in shops, offices and other working environments;
  - farm houses and by clients in hotels, motels and other residential type environments;
  - bed and breakfast type environments;
  - Catering and similar non-retail applications.

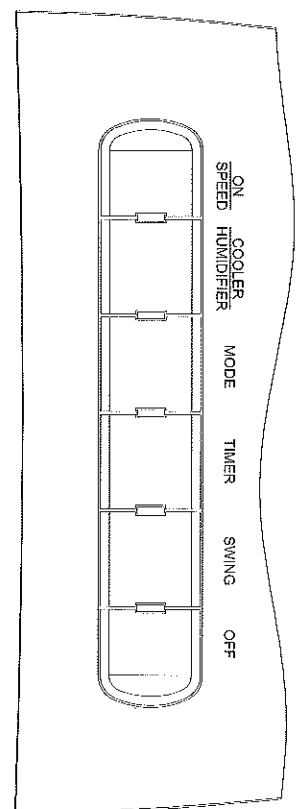
**Electrical Connection**

- This appliance should be properly grounded for your safety. The power cord of this appliance is equipped with a three-prong plug which mates with standard three prong wall outlets to minimise the possibility of electrical shock.
- Do not under any circumstances cut or remove the third ground prong from the power cord supplied. For personal safety, this appliance must be properly grounded.
- This appliance requires a standard 220-240 Volt AC ~/50Hz electrical ground outlet with three-prong. Have the wall outlet and circuit checked by a qualified electrician to make sure the outlet is properly grounded. When a standard 2-prong wall outlet is encountered, it is your responsibility and obligation to have it replaced with a properly grounded 3-prong wall outlet.
- The cord should be secured behind the appliance and not left exposed or dangling to prevent accidental injury.

- The appliance should always be plugged into its own individual electrical outlet which has a voltage rating that matches the rating label on the appliance. This provides the best performance and also prevent overloading house wiring circuits that could cause a fire hazard from overheated.
- Never unplug the appliance by pulling the power cord. Always grip the plug firmly and pull straight out from the receptacle.
- Repair or replace immediately all power cords that have become frayed or otherwise damaged. Do not use a cord that shows cracks or abrasion damage along its length or at either end.
- When moving the appliance, be careful not to damage the power cord.
- If the supply cord is damaged, it must be replaced by the manufacturer, its Service agent or a similarly qualified person in order to avoid a hazard.
- Make sure that the plug is fully inserted into the wall socket before use.
- DO NOT fold or put kinks in the supply cable or place heavy objects on it. It could lead to cable damage.

**Extension Cord**

- Because of potential safety hazards under certain conditions, it is strongly recommended that you do not use an extension cord with this appliance. However, if you must use an extension cord it must be checked and tested by a qualified technician or service person.
- The extension cord must be a VDE-Listed, 3-wire grounding extension cord that has a grounding plug and outlet and that the electrical rating of the cord is 220-240 Volts and at least 10 amperes.



**Unpacking**

Remove the packaging and dispose of the packaging material carefully. Follow the instructions below for using the appliance.

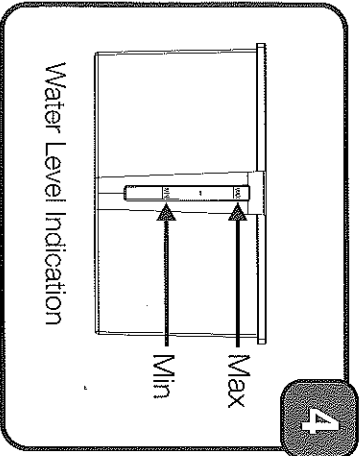
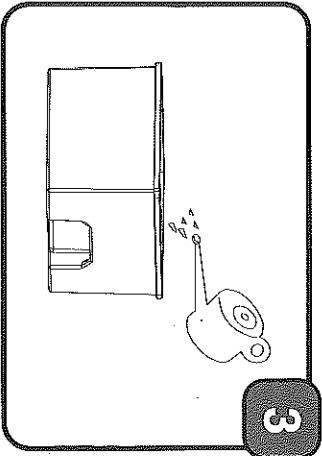
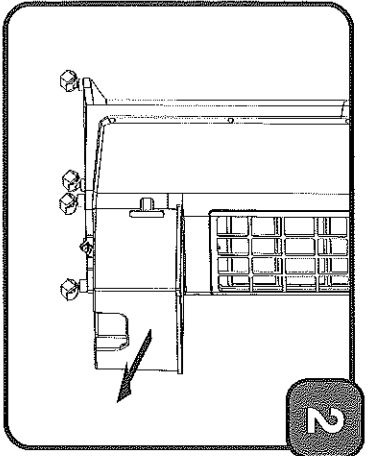
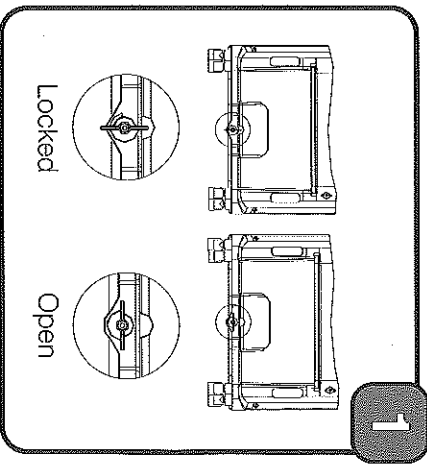
**Using the Cooler**

Explanation of the function keys:

- Plug in the cooler and you will hear a beep. The appliance is in standby mode; you can only use the ON/SPEED button.
- OFF key: Press this button to exit functions and enter into Standby mode.
- ON/SPEED key: In standby mode, press this key and the appliance starts from medium speed then changes to low speed within 3 seconds, the corresponding light will go on. The appliance is under normal wind mode, the corresponding low speed LED light is on. Press the OFF key again to turn off the appliance.
- MODE key: Press the button once to switch from normal to natural Mode, press again to enter into sleep mode. Press for a third time to enter into normal mode. The LED lights change accordingly.
- SWING: Press this button once to activate the rotating vent. Press again to exit swing mode. The corresponding LED turns on and off accordingly.
- COOLER/HUMIDIFIER: Select this function to activate the cooling/humidifier mode. The unit will automatically default to the medium fan speed when it is in high fan speed, but will not change when it is in medium or low fan speed. Initially only the low/medium fan speeds can be selected. After 3 minutes all three fan speeds can be selected.
- All Modes operate normally when Cooler/Humidifier is selected
- TIMER: Press this button to set timing from 0.5-7.5 hours.
- Water Shortage Indication: Under Cooler/Humidifier function, when the water level reaches below the lowest water level allowed, the appliance will warn you for 10 seconds and then shut off the Cooler/Humidifier function automatically.
- The appliance will automatically cut off power when the water tank is taken out.

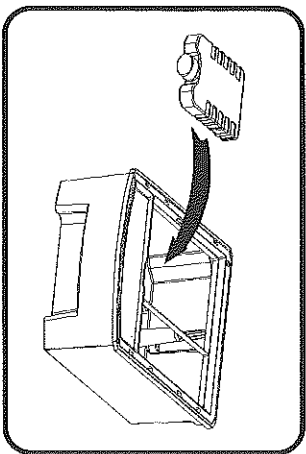
## Refilling the Water

- Refill the water tank before using the Cooler/Humidifier.
  - Rotate the locking knob 90 degrees to the horizontal position at the rear bottom of the cooler.
  - Pull out the water tank and fill with water. Pay attention to the water level when refilling the tank with water.
  - Keep water LOWER than the Maximum level indicated.
  - Use clean water.
  - After refilling the water, push the tank back into the drawer and lock the water tank by rotating the knob back to the vertical locked position.
- Please note: During the first usage, there could be a scent and some discoloring in the water. This is normal and is not harmful.



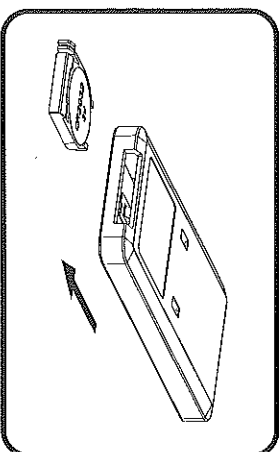
## Using the Ice Box

- The added use of the ice-box in the water tank allows the expelled air to come out much cooler. It is able to absorb the heat in the water, which makes the water temperature below the environment temperature (by about 4 degrees Celsius) for around 4 hours.
- Put the ice-box in your freezer until it is completely frozen and solid.
  - Put the frozen ice-box into the water tank, lock the water tank door, after 10 minutes, the temperature of the water tank will be lower than the environment temperature, and the water will remain cooler for around 4 hours.
  - There are two ice-boxes to ensure continual use.
  - DO NOT open the ice box or swallow the contents.



## Using the Remote Control

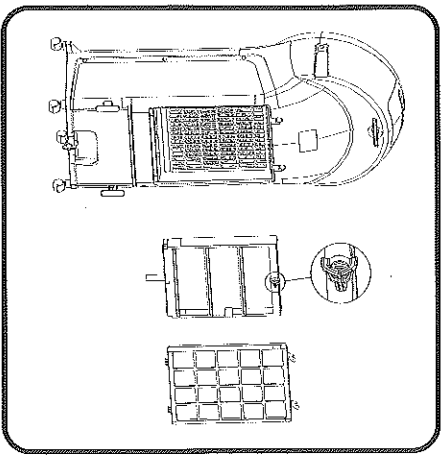
- Slide out the battery holder at the back of the remote control as shown below. Install a battery of type 3V CR2032 into the holder and slide it into the remote control. It is then ready for use.
- There are 6 keys on the remote control. Their functions are the same as the keys on the main control panel.
- Point the remote control at the infrared receiver. Ideal operating distance is within 6 meters of the receiver.



### Cleaning the Dustproof filter and Cooling Pad.

To avoid clogging of the dustproof filter, please clean the filter at least once a month. No chemical cleaners are needed.

- Take off the dustproof filter, turn the knob of cooling pad as shown below.



- Clean the dustproof filter with detergent water and a soft brush.
- Dip the cooling pad into detergent water and then dry it.

### Cleaning the Water Tank

- Unplug the unit and pull out the water tank according to the instructions.
- Clean the water tank with a washrag & detergent water, and then scour away any buildup.

### Cleaning the Appliance

- First unplug the appliance to avoid electric hazard.
- Clean the surface of the unit with a damp cloth, never use an abrasive scourer directly on the outside surface as it might scratch.
- Do not use corrosive detergent or solvent to clean. Pouring water on the unit is strictly forbidden.

### Re-Assembly

- Reinstall the parts back in the opposite sequence they were removed: Water tank, Cooling pad and Dustproof filter
- Plug the unit in to make sure it works.
- Otherwise please check the installation of the Water tank.

### Maintenance

- Unplug the power cord and pack the unit away to prevent it gathering dust when not being used for a long time.
- Make sure the cooling pad, filter and water tank are completely dry before packing.
- Store the appliance in a dry and ventilated place.

### Disposal

To prevent possible harm to the environment or human health from uncontrolled waste disposal, please recycle this appliance responsibly to promote the sustainable reuse of material resources. Take the appliance to a recycling station in your area for safe disposal.

Read this guide carefully, it is intended to help you operate and maintain your new Evaporative Cooler properly.

Keep it handy to answer your questions. If you don't understand something or you need more assistance, please call the De'Longhi Helpline.

To help us provide prompt answers to your queries, please record your Evaporative Cooler model and serial numbers. You'll find them on a plate located on the rear outside wall of the Evaporative Cooler.

### Evaporative Cooler details

Date of Purchase

Model Number

Serial Number

STAPLE OR  
AFFIX PURCHASE  
RECIPT HERE

