

IMPORTANT SAFEGUARDS

When using any electrical appliance, some basic safety precautions should always be observed to reduce the risk of fire, electric shock, and/or injury to persons. Read all instructions carefully before using the appliance. Specifically:



Failure to observe the warning may result in life threatening injury by electric shock.

- The appliance must not be placed immediately under a fixed power socket.
- Do not use the appliance outdoors.
- **Do not operate any heater with a damaged cord or plug or after the heater malfunctions, has been dropped or damaged in any manner. Return heater to authorized service facility for examination, electrical or mechanical adjustment, or repair.**
- This heater is not intended for use in bathrooms, laundry areas and similar indoor locations. Never locate heater where it may fall into a bath tub or other water container.
- If the power cable is damaged, stop using the product. Power cable must be replaced by the manufacturer, an authorised service centre or a qualified electrician in order to eliminate all risk.
- Do not use this heater in the immediate surroundings of a bath, a shower and sinks or a swimming pool.
- Do not insert or allow foreign objects to enter any ventilation or exhaust

opening as this may cause an electric shock, fire, or damage the heater.

- **CAUTION: to prevent electric shock match wide blade of plug to wide slot, then fully insert.**
- CAUTION: In order to avoid a hazard due to inadvertent resetting of thermal cutout, this appliance must not be supplied through an external switching device, such as a timer, or connected to a circuit that is regularly switched on and off by the utility.
- This heater may include an visual alarm to warn that parts of the heater are getting excessively hot. If the alarm flashes, immediately turn the heater off and inspect for any objects on or adjacent to the heater that may cause high temperatures. DO NOT OPERATE THE HEATER WITH THE ALARM FLASHING.
- If you intend to fix your appliance to the wall, make sure that the switch or other control devices are not within reach of persons in the bath or shower.



Failure to observe the warning could result in injury or damage to the appliance.

- The appliance is not intended for use by persons (including children) with reduced physical, sensory or mental capabilities, or lack of experience and knowledge, unless they have been given supervision or instruction concerning use of the appliance by a person responsible for their safety. Children should be supervised to ensure that they do not play with the appliance.

- **CAUTION — Some parts of this product can become very hot and cause burns.**

- Extreme caution is necessary when any heater is used by or near children and whenever the heater is left operating and unattended.
- Always disconnect the plug from the power outlet when the appliance is not in use.
- Do not wrap the cord around the appliance immediately after use.
- The internal parts of the appliance can become very hot or produce sparks during operation. Do not use the appliance in areas where gasoline, paints, or other flammable liquids are used or stored.
- Use this heater only as described in this manual. Any other use not recommended by the manufacturer may cause fire, electric shock, or injury to persons.
- To prevent overload and blown fuses, be sure that no other appliance is plugged into the same outlet (receptacle) or into another outlet (receptacle) wired into the same circuit.
- Make sure that the plug is fully inserted into the outlet.
Wall outlets may deteriorate with time, so check the plug periodically for signs of overheating or deformation. If the outlet has deteriorated, stop using it and have it repaired.
- Do not use the appliance in small rooms when they are occupied by persons that are not capable of

leaving the room, unless constant supervision is provided.



Danger of burns!!

Failure to observe the warning could result in burns or scalds.

- **WARNING:** To avoid overheating, never under  any circumstances cover the appliance during operation as this would lead to a dangerous rise in temperature, and risk of fire.
- Do not use the appliance on soft surfaces, such as beds, where the openings may become blocked.
- This heater is hot when in use. To prevent burns, do not let bare skin touch hot surfaces. Use handle when moving this heater. To prevent burns, do not touch hot surfaces with bare skin. Use the handle when moving the appliance. Keep all flammable materials, such as furniture, pillows, bedding, paper, clothing, and curtains at least 90 cm (3 feet) from the front and top of the appliance also avoid contact with the sides and back.
- Do not run cord under carpeting. Do not cover cord with throw rugs, runners, or the like. Arrange cord away from traffic area and where it will not be tripped over.
- It is normal for the heater's plug and cord to feel warm to the touch. A plug or cord which becomes hot to the touch or becomes distorted in shape may be a result of a worn electrical outlet. Worn outlets or receptacles should be replaced prior to further use of the heater. Plugging heater into a

worn outlet /receptacle/ may result in overheating of the power cord or fire.

- **WARNING:** Do not cover the appliance while it is functioning in order to avoid overheating which may cause risk of fire.

Symbol meaning



This symbol indicates:
(If provided) Class II equipment



Please note:

This symbol indicates recommendations and important information for the user.

- If your appliance is equipped with a polythene tape used as carry handle, remove it before connecting appliance to the outlet.
- Always use the appliance in an upright position.
- To disconnect heater, turn controls to off, then remove plug from outlet.
- Connect to properly polarized outlets only.
- This heater is not intended for use with an extension cord or outlet strip. Plug the cord directly into an appropriate wall receptable.
- Check that neither the appliance nor the power cable have been damaged in any way during transportation.
- Make sure that no pieces of polystyrene or other packaging material have been left on the appliance. It may be necessary to pass over the appliance with a vacuum cleaner.
- When switching on the appliance for the first time, allow it to run at full power for at least two hours to get rid of the unpleasant smell. Make sure that the room in which the appliance

is located is well ventilated during this operation. It is normal for the appliance to emit small cracking sounds when you turn it on.

- Do not use the appliance in rooms with a floor area of less than 4mq (43 square feet).
- Before putting the appliance away, make sure it is completely off and unplugged from the mains socket. Wrap the cable around the base. Do not store in dusty atmospheres.
- Do not rest anything on the appliance.
- Do not obstruct the air intake and outlet grilles (danger of overheating).
- Do not place the heater near a bed because objects such as pillows or blankets can fall off the bed and be ignited by the heater.
- A tip over safety device turns the appliance off if it falls over or is positioned inappropriately in such a way as to jeopardise safety. The appliance emits a beep and a dot flashes on the display. The appliance resumes operation a few seconds after being placed in an upright position again. See troubleshooting session.

SAVE THESE INSTRUCTIONS

THIS PRODUCT IS FOR HOUSEHOLD USE ONLY

DESCRIPTION

(see fig. 1)

- A** ON/OFF button
- B** +/- adjustment buttons
- C** MODE button (selects the operating mode)
- D** "ECO plus" button
- E** Timer button
- F** Swivel button
- G** Remote control receiver
- H** Indicator light
- I** Air intake grille
- J** Filter
- K** Safe Heat Badge

USE

Installation

- The appliance can be used on any horizontal surface.
Do not overload the electrical circuit.
Avoid using the same outlet for other appliances.

Electrical connection

- Before plugging the appliance into the outlet, check that the outlet power corresponds to the value indicated on the rating plate and that the outlet power is adequate for the load.

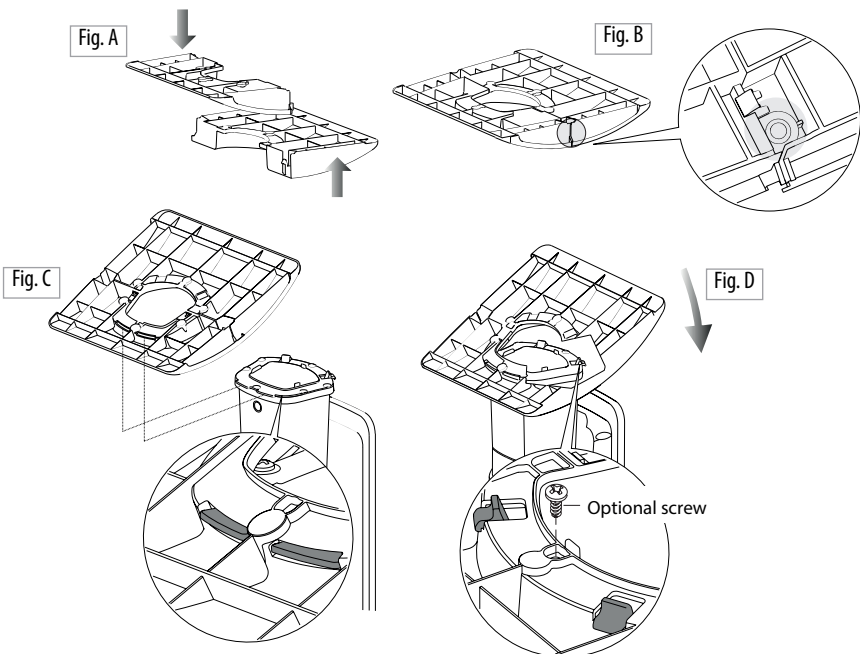
- THIS APPLIANCE COMPLIES WITH DIRECTIVE 2004/108/EEC ON RADIO INTERFERENCE SUPPRESSION.

Mounting the base

- Fit the two parts of the base together, matching the guide pins on the front with the recesses on the back and snapping the two clips into place (fig. A and fig. B).
- Turn the appliance upside down and position the assembled base on the appliance in order to couple the two openings with the two tabs on the appliance, tilting it as shown in figure C, consequently turn the base down till the two frontal teeth snaps into position (figure D).
- Assembly time: approx. 5 minutes.
- Optional
 - Fasten the tower to the base using the screw provided to achieve extra stability.
 - Tools needed and estimated time:
1 Phillips head screwdriver type PH 2 x 100
1 screws (included)
Assembly time: approx. 2 minutes.

Operation and use

- Plug into the outlet.
- The appliance emits a beep. The indicator light (**H**)



comes on and remains lit while the appliance is powered.

- Press the ON/OFF button (A) to turn the appliance on. The appliance comes on with the setting used during the previous period of operation.
- Press the MODE button (C) to select one of the following operating modes:
- **Fan** 🌀
In this mode, only the fan operates and the appliance does not heat the room.
- **Freeze prevention** ❄️
In this mode, the appliance keeps the room at a temperature of 7°C (45°F) to avoid freezing.
- **Heating 1, 2 and Heating 3** ❄️
In this mode, the desired temperature can be selected by pressing the adjustment buttons + and - (B):
- **Heating 1** ❄️ 📊
The appliance operates at low power, reducing noise levels and energy consumption to a minimum.
- **Heating 2** ❄️ 📊
The appliance operates at medium power.
- **Heating 3** ❄️ 📊
The appliance operates at high power to heat the room rapidly.

i **Please note:** Room temperature can be displayed in either °C or °F. To change the unit of measurement for the temperature, press the + button for approx. 10 seconds, then release.

“ECO plus” function

The “ECO plus” function is available in Heating 1, 2 and 3 modes only. To activate the function, press the “ECO plus” button (D).

When this function is active the appliance automatically sets the most appropriate power level to guarantee optimum comfort while reducing energy consumption. While the “ECO plus” function is active, the appliance may switch automatically to a lower heating power than the one displayed. This may happen a number of times in an hour.

Swivel button

To distribute the air flow over a wider surface, press the swivel button (F) 🔄. The appliance swivels to the right and left. To stop the appliance in the desired position, simply press the swivel button (F) again.

Turn the appliance off

To turn the appliance off, press the ON/OFF button (A).

The display may show a countdown for about 6 seconds.

Digital 24 h timer (selection from 0.5 hrs to 24 hrs)

This function can be activated from any operating mode.

Auto-start: with the appliance in ON/OFF, press the timer button ⌚ (E). The ⌚ symbol is displayed together with the time remaining before the appliance comes on.

To adjust the timer, use the adjustment buttons + and - (B), then wait a few seconds for the setting to be stored. The stand-by light (H) is displayed together with the ⌚ symbol, indicating that the timer has been set.

When the programmed time is reached, the appliance comes on with the settings used during the previous period of operation.

Auto-off: with the appliance on, press the timer button ⌚ (E). The ⌚ symbol is displayed together with the time remaining before the appliance goes off.

To set the timer, use the adjustment buttons + and - (B), then wait a few seconds for the setting to be stored. The current settings are displayed again, together with the ⌚ symbol indicating that the timer has been set.

When the programmed time is reached, the appliance goes off automatically. To go back to operation without the timer, press the timer button (E) twice. The timer symbol ⌚ disappears from the display.

USING THE REMOTE CONTROL

The functions on the remote control are the same as those on the appliance control panel. For a description of the functions, see the “Operation and use” section on the previous page.

Installing or replacing the batteries

The remote control is powered by one CR2032 3V lithium battery, already included inside. To operate the remote control, pull and remove the plastic strip under the battery cover. To replace the batteries, remove the battery cover by sliding it as shown in the figure.

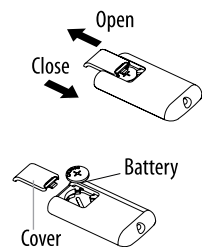


Fig. 2

When replacing the batteries, make sure you respect the polarity (see figure 2). Replace the cover as shown in the figure. Old batteries are harmful to the environment and must be removed and disposed of in compliance with current legislation. Non-rechargeable batteries are not to be recharged.

WARNING: DO NOT DISPOSE OF BATTERIES IN FIRE. BATTERIES MAY EXPLODE OR LEAK.

SAFETY FUNCTIONS

- **Safety device:** the appliance is fitted with a safety device that switches it off in the event of accidental overheating (e.g. obstruction of air intake and outlet grilles, motor turning slowly or not at all).
To reset, unplug the appliance from the outlet for a few minutes, remove the cause of overheating, then plug in again. If the appliance doesn't work please contact the De'Longhi Customer Service.
- **Tip-over safety device:** a tip-over safety device turns the appliance off if it falls over or is positioned inappropriately in such a way as to jeopardize safety. The appliance emits a beep and a dot flashes on the display. The appliance resumes operation a few seconds after being placed in an upright position again.

Safe Heat Badge

Appliance is equipped with special Safe Heat Badge that changes color to alert the user when the grill is hot. When the red symbols appear on the badge (see figure) it means that the grill is hot to the touch.
Use care to avoid touching the grill until the unit has been turned off and the badge has turned back to black.

Alarms

The appliance has a diagnostic system that makes it possible to signal malfunctions.

In case of problems, the display will show an alarm message: **PF** (Probe failure) and **HE** (High temperature), see troubleshooting section.

MAINTENANCE

- Always unplug from the outlet before cleaning.
- During the season when the appliance is in use, clean the air intake and outlet grilles regularly using a vacuum cleaner.
- To clean the filter, remove the rear grille by pulling it outwards (fig. 1). Remove the dust filter that retains impurities in the air drawn in from the room, blow on it lightly then put it back in the appliance.
- Never use abrasive powders or solvents to clean the appliance.

NOTE: This equipment has been tested and found to comply with the limits for a Class B digital device, pursuant to Part 15 of the FCC Rules. These limits are designed to provide reasonable protection against harmful interference in a residential installation. This equipment generates, uses and can radiate radio frequency energy and, if not installed and used in accordance with the instructions, may cause harmful interference to radio communications. However, there is no guarantee that interference will not occur in a particular installation. If this equipment does cause harmful interference to radio or television reception, which can be determined by turning the equipment off and on, the user is encouraged to try to correct the interference by one or more of the following measures:

- Reorient or relocate the receiving antenna.
- Increase the separation between the equipment and receiver.
- Connect the equipment into an outlet on a circuit different from that to which the receiver is connected.
- Consult the dealer or an experienced radio/TV technician for help. Modifications not approved by the party responsible for compliance could void user's authority to operate the equipment.

CAN ICES-3 (B) / NMB-3 (B)

TROUBLESHOOTING

PROBLEM	CAUSE	SOLUTION
<i>PF</i> display	Temperature sensor is not working properly	The product needs to be serviced, contact our toll free number for assistance
Product doesn't turn on	<p>Check that the plug is connected to the outlet</p> <p>Auto-start is on</p> <p>Room temperature reaches the set temperature</p>	<p>Plug in</p> <p>Wait till time elapsed or press the button (E) twice to cancel the auto-start and push the button (A)</p> <p>Use the "+" button to increase the set temperature</p>
A green dot is flashing and unit is off	The tip-over switch has been activated	Make sure the appliance is standing upright on a flat surface, if the problem persists contact our toll free number to assist you
The display shows "Ht" blinking	The internal temperature is too high. The air intake or outlet grille is obstructed	<p>Check the appliance is correctly positioned respecting the minium distances from the wall, or objects, as indicated on the instruction manual, if not, position the appliance correctly</p> <p>Remove the obstruction</p> <p>Disconnect the plug from the outlet and let the appliance cool down. After few minutes plug the appliance again. If the appliance doesn't work please contact the De'Longhi toll free number</p>