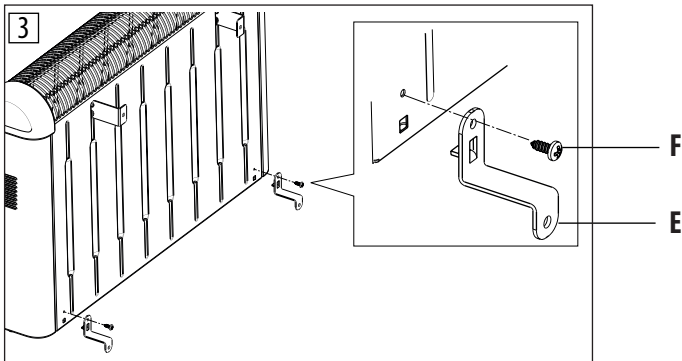
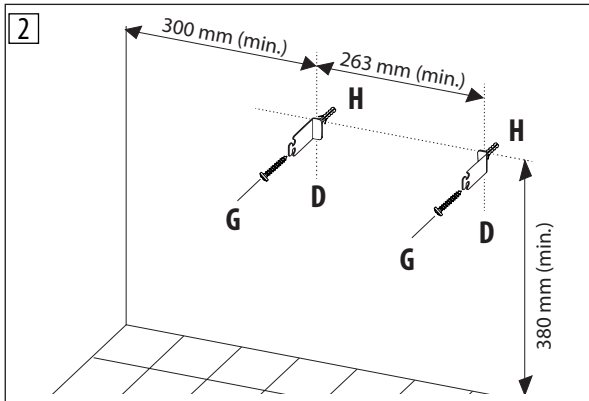
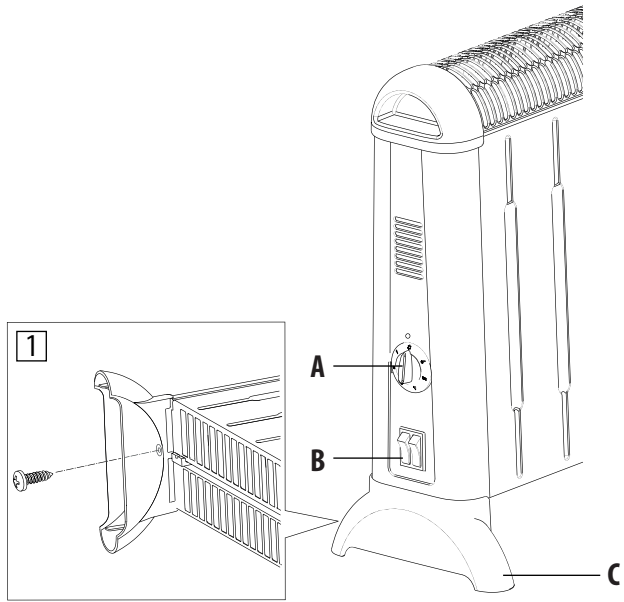

HCM Series

CONVECTOR
Instructions for use



DeLonghi



IMPORTANT SAFEGUARDS

Safety warnings



Danger!

Failure to observe the warning may result in life threatening injury by electric shock.

- Do not use this heater in the immediate surroundings of a bath, a shower, or a swimming pool;
- Never use the appliance to dry laundry.
- If the power cable is damaged, it must be replaced by the manufacturer, the manufacturer's customer services or a qualified electrician in order to eliminate all risk.



Important!

Failure to observe the warning could result in injury or damage to the appliance.

- This appliance can be used by children aged from 8 years and above and persons with reduced physical, sensory or mental capabilities or lack of experience and knowledge if they have been given supervision or instruction concerning use of the appliance in a safe way and understand the hazards involved. Children shall not play with the appliance. Cleaning and user maintenance shall not be made by children without supervision.
- Keep the appliance away from children under 3 years of age, unless they are supervised at all times.
- Children aged from 3 to 8 years may turn the appliance on and off only, providing it is positioned or installed in the usual operating position, they have been given supervision or instruction concerning use of the appliance in a safe way and understand the hazards involved.
- Children between 3 and 8 years old must not unplug, adjust or clean the appliance or perform maintenance.

CAUTION: certain parts of the appliance may become very hot and could cause burns. Pay particular attention in the presence of children or vulnerable people.

- **WARNING:** Do not use this heater in small rooms when they are occupied by persons not capable of leaving the room on their own, unless constant supervision is provided.
- The appliance must not be placed directly under a fixed socket.
- **CAUTION:** to avoid risks associated with accidental resetting of the safety system, this appliance must not be powered through an external timer.
- Do not obstruct the air intake and outlet area (danger of overheating).



Danger of burns!!

Failure to observe the warning could result in burns or scalds.

- **WARNING:** To avoid overheating, never under any circumstances cover the appliance during operation as this would lead to a dangerous rise in temperature. 
- The use of an extension lead is not recommended, as it may overheat during the operation of the appliance.
- Never lay the power cable on top of the appliance when it is hot.
- Do not rest anything on the appliance.
- **WARNING:** to reduce the risk of fire, keep textiles, curtains, or any other flammable material a minimum distance of 1 m from the air outlet.
- Never place the appliance on long pile rugs or carpets to avoid obstructing the air intake grille on the bottom of the appliance.



Please note:

This symbol indicates recommendations and important information.

tion for the user.

- You are recommended to avoid positioning the appliance in a draught as strong air currents could reduce its efficiency.
- Use this heater on a horizontal and stable surface.
- Use the appliance in a vertical position only.
- Do not use the appliance if it has been dropped or fallen over.
- Do not use if there are visible signs of damage to the heater.
- The first time you use the appliance, leave it operating on maximum for at least 15 minutes to eliminate the "new" smell. A little smoke may be given off. This is caused by the protective substances applied to the heating element before transport and is completely normal.
- Position the appliance in such a way that the plug and socket are easily accessible.
- Do not use the appliance in rooms with a surface area of less than 4 m².
- The appliance is fitted with a safety device which turns it off in the event of accidental overheating.
- To reset the device, unplug the appliance for a few minutes, remove the cause of the overheating, then plug in again. If the overheating reoccurs a number of times, contact customer services.
- Before putting the appliance away, make sure it is completely cool and unplugged from the mains socket.
Do not store in dusty atmospheres.
- The appliance must never be hung in any way.

For non-EU countries only:

The appliance is not intended for use by persons (including children) with reduced physical, sensory or mental capabilities, or lack

of experience and knowledge, unless they have been given supervision or instruction concerning use of the appliance by a person responsible for their safety. Children should be supervised to ensure that they do not play with the appliance.

Use in accordance with the designated use

Use this appliance only as described in this instruction manual. All other use is considered improper. This appliance is not suitable for commercial use. The manufacturer is not liable for damage deriving from improper use of the appliance. This is an household appliance only. It is not intended to be used in:

- staff kitchen areas in shops, offices and other working environments;
- farm houses;
- hotels, motels and other accommodation facilities;
- bed and breakfast type environments.

This type of use invalidates the manufacturer's guarantee.

Fundamental safety warnings

Dear customer - the plug on the appliance heats up during use. This is completely normal. This HIGH POWER HEATING APPLIANCE complies with our usual high standards. You should, however, make sure that your power socket is in good condition and that the plug on the appliance is plugged into the socket correctly to avoid accidental overheating. If the appliance is used for long periods of time, we recommend checking the plug and mains socket regularly. If in doubt, consult an electrician.

Disposing of the appliance



The appliance must not be disposed of with household waste, but taken to an authorised waste separation and recycling centre.

DESCRIPTION

- A Thermostat dial
- B Switches
- C Feet

Electrical connection

Before plugging into the mains, make sure the voltage of your mains supply corresponds to the value V indicated on the appliance and that the socket and power line are appropriate for the load required.

ATTACHING THE FEET

The feet kit consists of:
2 x feet

2 screws 3.9X13 PH 

Tools necessary and estimated mounting time:

Phillips 2x100 screwdriver

Estimated time: 5 minutes

To mount the feet, proceed as follows:

- Turn the appliance upside down on a rug or soft surface to avoid damaging the paint
- Fix the feet with the 2 screws provided as shown in fig. 1.
- Turn the appliance back upright, positioning it with the feet on the floor.

WALL MOUNTING

IMPORTANT: before making the holes in the wall, make sure that:

- a. the appliance is not positioned directly beneath a power socket
- b. after installation, the plug on the appliance reaches the power socket easily
- c. there are no electrical wires or pipes which could be damaged during installation
- d. the appliance is located at a safe distance from curtains or other flammable material

The kit to wall mount your convector heater contains:

D 2 top brackets



E 2 bottom brackets



F 2 screws 3.5x9.5 PH



G 4 screws 4.5x25 PH



H 4 plastic anchors 6x30



Tools necessary and estimated mounting time:

- Drill: 6 mm drill bit suitable for drilling the wall where the appliance will be fixed
- Phillips 2x100 screwdriver
- Estimated time: 30 minutes

Proceed as follows:

- Position the appliance on a stable surface and fix the brackets (E) on the back, using the two screws (F) provided, as shown in fig. 3.
- Mark the fixing positions of the two brackets (D) following the distances shown in fig. 2.
- Drill the holes and insert the two anchors (H).
- Fix the brackets (D) as shown in fig. 2 using the two screws (G).

- Hang the heater on the brackets (D) fixed previously.
- Mark the position of the bracket fixing holes on the wall (E).
- Remove the heater, drill the holes at the points marked previously, then insert the two remaining anchors.
- Hang the heater on the two top brackets (D) and block in place by inserting the two screws (G) in the bottom anchors inserted previously.

Your heater is now mounted on the wall.

OPERATION AND USE

Turning the appliance on

Models with only a thermostat

This appliance can be turned on by rotating its thermostat dial clockwise (A) until it stops at the last possible setting. To turn this appliance off, rotate the dial to its lowest position and remove its plug from the electrical outlet.

Models with a thermostat and two switches

Turn the thermostat dial (A) clockwise to maximum, then press the switches (B) so that the red zone is visible:

- button in position "I" only = minimum power
- button in position "II" only = medium power
- buttons in both positions "I" and "II" = maximum power

Adjusting the thermostat

When the room has reached the desired temperature, turn the thermostat dial slowly in an anti-clockwise direction until you get to the setting — and not beyond it — where you hear a click. The thermostat will then adjust that set temperature automatically and keep it constant. If your appliance is the type with 2 switches, you could utilize only one of them during mild seasons and on days not particularly cold. You will thus use little electrical power and obtain even greater savings in energy consumption.

Anti-freeze function (only for models with a thermostat)

Turn the switch (or switches) to make the red area show, then turn the thermostat dial to the ❄️ setting. When so regulated, this appliance will keep a room at a temperature of 5° C. while consuming a minimum of energy.

MAINTENANCE

Always pull the plug out of its electrical outlet before beginning any cleaning. This electric convector requires no special maintenance. All you have to do is dust it off with a soft, dry cloth — but do so only when the appliance is cold. Never use abrasive powders or solvents.

TECHNICAL CHARACTERISTICS

Power supply
Absorbed power

See rating label
"

Proudly distributed by
De'Longhi Australia Pty Limited
P.O. BOX 4540
CASULA MALL NSW 2170
Customer Service Ph: 1800 126 659
Fax: 1800 706932
www.delonghi.com.au
e-mail: info.au@delonghigroup.com

De'Longhi New Zealand Limited
99 Khyber Pass Road
Grafton 1023
Auckland, New Zealand
P.O. Box 58-056 Botany
MANUKAU 2163
Customer Service Ph: 0508 200 300
Fax: 0508 200 301
www.delonghi.co.nz
e-mail: info.nz@delonghigroup.com

Register Now 
www.delonghi.com/register