

---

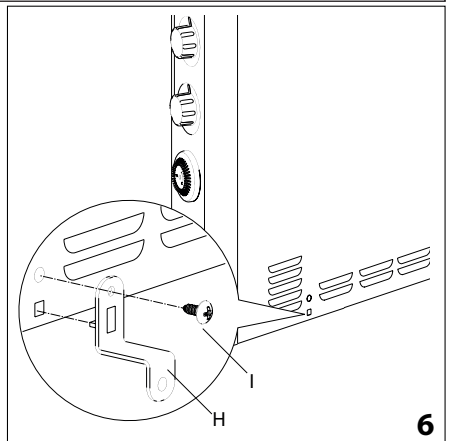
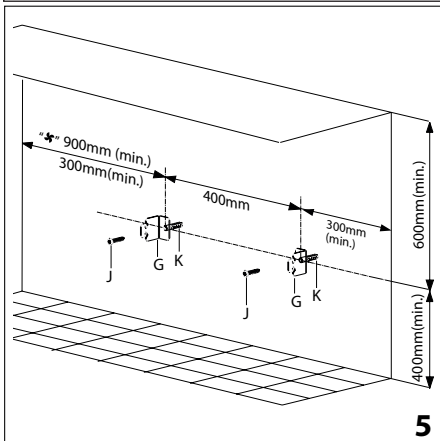
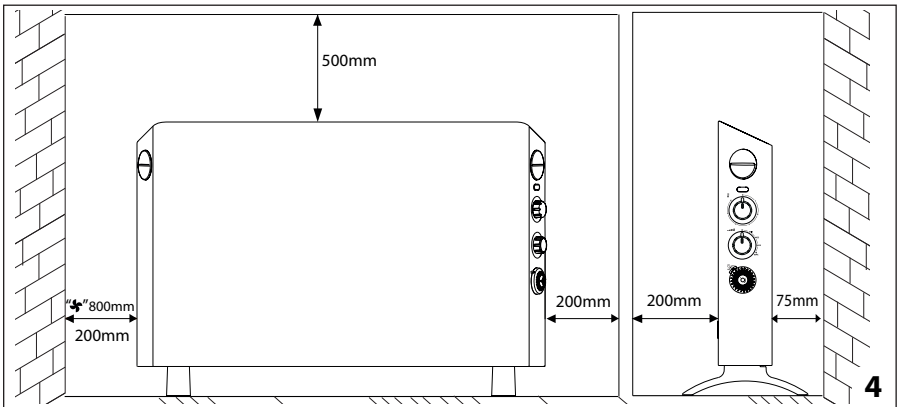
HSXSeries

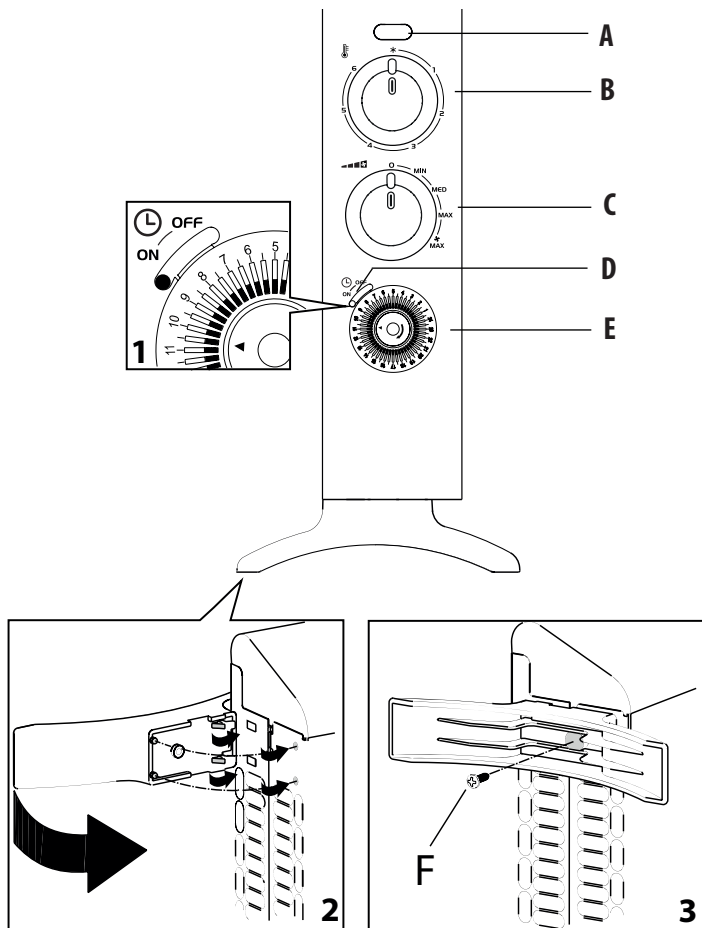
CONVECTOR  
Instructions for use



---

**De'Longhi**






2 X  (F) 3,5x13 PH

2 X  (G)

2 X  (H)

2 X  (I) 3,5 X 9,5 PH

4 X  (J) 4,5 X 25 PH

4 X  (K) 6 X 30

## IMPORTANT SAFEGUARDS

### Safety warnings



#### **Danger!**

Failure to observe the warning may result in life threatening injury by electric shock.

- Do not use this heater in the immediate surroundings of a bath, a shower, or a swimming pool;
- Never use the appliance to dry laundry.
- If the power cable is damaged, it must be replaced by the manufacturer, the manufacturer's customer services or a qualified electrician in order to eliminate all risk.



#### **Important!**


Failure to observe the warning could result in injury or damage to the appliance.

- The appliance is not intended for use by persons (including children) with reduced physical, sensory or mental capabilities, or lack of experience and knowledge, unless they have been given supervision or instruction concerning use of the appliance by a person responsible for their safety. Children should be supervised to ensure that they do not play with the appliance.
- **WARNING:** Do not use this heater in small rooms when they are occupied by persons not capable of leaving the room on their own, unless constant supervision is provided.
- The appliance must not be placed directly under a fixed socket.
- **CAUTION:** to avoid risks associated with accidental resetting of the safety system, this appliance must not be powered through an external timer.
- Do not obstruct the air intake and outlet area (danger of overheating).



#### **Danger of burns!!**

Failure to observe the warning could result in burns or scalds.

- **WARNING:** To avoid overheating, never under any circumstances cover the appliance during operation as this would lead to a dangerous rise in temperature. 
- The use of an extension lead is not recommended, as it may overheat during the operation of the appliance.
- Never lay the power cable on top of the appliance when it is hot.
- Do not rest anything on the appliance.
- **WARNING:** to reduce the risk of fire, keep textiles, curtains, or any other flammable material a minimum distance of 1 m from the air outlet.
- Never place the appliance on long pile rugs or carpets to avoid obstructing the air intake grille on the bottom of the appliance.



#### **Please note:**

This symbol indicates recommendations and important information for the user.

- You are recommended to avoid positioning the appliance in a draught as strong air currents could reduce its efficiency.
- Use this heater on a horizontal and stable surface.
- Use the appliance in a vertical position only.
- Do not use the appliance if it has been dropped or fallen over.
- Do not use if there are visible signs of damage to the heater.
- The first time you use the appliance, leave it operating on maximum for at least 15 minutes to eliminate the "new" smell. A little smoke may be

given off. This is caused by the protective substances applied to the heating element before transport and is completely normal.

- Position the appliance in such a way that the plug and socket are easily accessible.
- Do not use the appliance in rooms with a surface area of less than 4 m<sup>2</sup>.
- The appliance is fitted with a safety device which turns it off in the event of accidental overheating.
- To reset the device, unplug the appliance for a few minutes, remove the cause of the overheating, then plug in again. If the overheating reoccurs a number of times, contact customer services.
- Before putting the appliance away, make sure it is completely cool and unplugged from the mains socket. Do not store in dusty atmospheres.
- The appliance must never be hung in any way.

#### Use in accordance with the designated use

Use this appliance only as described in this instruction manual. All other use is considered improper. This appliance is not suitable for commercial use. The manufacturer is not liable for damage deriving from improper use of the appliance. This is an household appliance only. It is not intended to be used in:

- staff kitchen areas in shops, offices and other working environments;
- farm houses;
- hotels, motels and other accommodation facilities;
- bed and breakfast type environments.

This type of use invalidates the manufacturer's guarantee.

#### Fundamental safety warnings

Dear customer - the plug on the appliance heats up during use. This is completely normal.

This HIGH POWER HEATING APPLIANCE complies with our usual high standards. You should, however, make sure that

your power socket is in good condition and that the plug on the appliance is plugged into the socket correctly to avoid accidental overheating. If the appliance is used for long periods of time, we recommend checking the plug and mains socket regularly. If in doubt, consult an electrician.

#### Disposing of the appliance



The appliance must not be disposed of with household waste, but taken to an authorised waste separation and recycling centre.

#### DESCRIPTION

- A Warning lamp
- B Thermostat
- C Power selector
- D Slider
- E Timer

#### General instructions

Remove the appliance from the packaging.

Check that neither the appliance nor the power cable has been damaged during transport. Do not operate the heater if damaged.

Remove all publicity material from the appliance. The appliance is suitable for free-standing or wall-mounted usage. Do not assemble the feet if wall-mounted.

#### Electrical connection

- Before connecting the appliance to the power socket, check that the voltage indicated on the appliance rating plate is the same as your electrical system and that it can support the power consumption (Watt) indicated.
- If more than one appliance is used at the same time, it is important to ensure that the electrical system is able to support the power required.

#### Use on the floor, feet assembly

Tools required:

Screwdriver PH2x100 (crosshead)

2 supplied screws 3.5x13 PH (F)

Place the appliance on a stable surface.

For mounting the feet, proceed as follows:

- Insert the two hooks in the slots and rotate the foot until it is engaged as shown in figure 2.
- Insert the two pins in their respective holes.
- Fix the foot with the screw (F) supplied (figure 3).
- See Figure 4 for the minimum distances of the device from the walls. The measurements are indicated both for models equipped with fan "❄️" and for models without.



**Important!** never use the appliance without the feet attached if it is not mounted on the wall.

### Installation on the wall

The kit for wall installation contains:

- 2 metal brackets for mounting above (G)
- 2 metal brackets for mounting below (H)
- 2 screws 3.5 x 9.5 PH (I)
- 4 screws 4.5 x 25 PH (J)
- 4 plastic wall plugs 6 x 30 (K)

### Tools required for installation and estimated time for installation

Screwdriver PH 2x100 (crosshead)

Estimated time for installation: 30 minutes

Before installing the unit, ensure the following:

- a. **The device must not be placed directly under a power socket.**
- b. **The plug and power socket must be easy to reach after installation.**
- c. **No electric cables or other pipework could be damaged during installation.**
- d. **Keep away from curtains or flammable materials.**

For wall mounting, proceed as follows:

Place the appliance on a stable surface. Use a screwdriver to fix the two brackets H with screws I as shown in Fig. 6.

1. Before drilling the wall, mark the exact spot, respecting the minimum distances as shown in Fig. 5. The measurements are indicated both for models equipped with fan "❄️" and for models without.
2. Drill following the marks that you have made and insert the wall plugs K. For brick walls use a masonry bit of 6 mm. For plasterboard or false walls (empty), we recommend the use of appropriate screws and anchors (not supplied).
3. Fix the 2 metal brackets G to the wall using the screws J provided.
4. Hang the appliance on the brackets.
5. Mark the lower fixing points corresponding to the holes of the brackets H. Remove the appliance, drill the lower holes and insert the wall plugs K.
6. Now you can hang the unit on the brackets and secure the bottom of the appliance with the 2 screws J remaining.

## USE

### Operation and use

Insert the plug into the socket and switch on at the socket

if necessary, turn the thermostat knob (B) to position 6 and turn the appliance on via the power selector (C) as follows:

- The warning lamp (A) lights up.
- Turn the power selector knob to **Min** to select minimum power.
- Turn the power selector knob to **Med** to select medium power.
- Turn the power selector knob to **Max** to select maximum power.
- To switch off the appliance completely: turn the power selector to "0" and the thermostat to ❄️, then disconnect at the power socket.

### Adjusting the thermostat

When the room has reached the required temperature, turn the thermostat knob (B) slowly anticlockwise until you hear a click and no further. The warning lamp (A) goes out.

The thermostat will automatically maintain the temperature. In spring or autumn or on mild days, you can save energy by using minimum power.

### Freezing protection

With the knob of the thermostat (B) in position ❄️ and one of the power levels selected, the appliance will maintain the room at a temperature of about 5°C preventing freezing with minimum energy consumption.

### Models with fan

The appliance is equipped with a fan that provides even more rapid and uniform heating.

To start this function, turn the power selector (C) to Max ❄️.

### Models with 24-hour timer

When the appliance is connected to the power supply the timer is always active so as to stay synchronized with the local time. To operate the appliance without timer, position the timer slider (D) to ⏻ OFF.

To operate the appliance at the times set, position the timer slider to ⏰ ON (Fig. 1) and proceed as follows:

- Check the time on your clock or watch. If it is 10.00 for example, turn the numbered programmer disk until the number 10 coincides with the pointer marked on the programmer device.
- Set the periods of time during which you want the appliance to operate by pushing the teeth outwards (see figure). Each tooth corresponds to a period of 30 min. At the end of the procedure, the sectors corresponding to the periods of operation will be visible.
- In this way, the appliance will function automatically each day at the times set. (Important: the appliance must always be connected to the power supply).

- To modify the settings, return the teeth to the initial position and set the new operating periods.
- To turn the appliance off, turn the power selector to "0".

## MAINTENANCE

Before carrying out any maintenance, disconnect the appliance from the power supply and wait for it to cool down completely.


This appliance requires no particular maintenance.

It is sufficient to remove dust with a soft, dry cloth. Never use abrasive powders or solvents. If necessary remove areas of concentrated dirt with a vacuum cleaner.

## TECHNICAL CHARACTERISTICS

Power supply	See appliance rating plate
Power consumption	"

## TROUBLESHOOTING

PROBLEM	CAUSE	SOLUTION
The appliance doesn't work	The plug is not inserted properly into the power socket or the socket switch is off.	Insert the plug into the power socket and switch on if necessary.
	Check for any obstruction.	Remove the obstruction, disconnect the power plug of the heater and let the appliance cool down. If the problem persists, contact customer experience.
	The power selector is in the "0" position.	Move the power selector to position MIN, MED, MAX or MAX  .
	The thermostat is set too low.	Turn the thermostat knob clockwise to higher settings until the heater restarts.
	Timer setting.	Make sure the timer is correctly set to local time and check the position of the teeth.
	An anti-tilt safety device is activated.	Make sure the appliance is standing upright on a flat surface, if the problem persists contact our toll free number to assist you.

Proudly distributed by  
**De'Longhi Australia Pty Limited**  
P.O. BOX 4540  
CASULA MALL NSW 2170  
Customer Service Ph: 1800 126 659  
Fax: 1800 706932  
[www.delonghi.com.au](http://www.delonghi.com.au)  
e-mail: [info.au@delonghigroup.com](mailto:info.au@delonghigroup.com)

**De'Longhi New Zealand Limited**  
99 Khyber Pass Road  
Grafton 1023  
Auckland, New Zealand  
P.O. Box 58-056 Botany  
MANUKAU 2163  
Customer Service Ph: 0508 200 300  
Fax: 0508 200 301  
[www.delonghi.co.nz](http://www.delonghi.co.nz)  
e-mail: [info.nz@delonghigroup.com](mailto:info.nz@delonghigroup.com)

**Register Now**   
[www.delonghi.com/register](http://www.delonghi.com/register)