

---

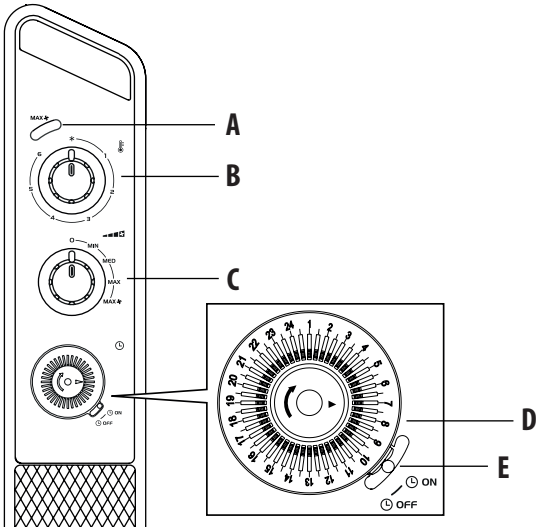
HCX Series

CONVECTOR  
Instructions for use

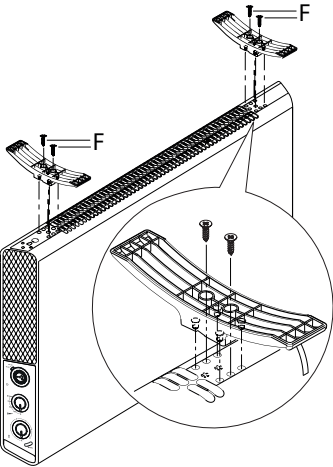


---

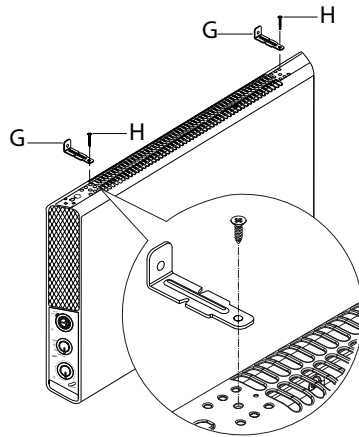
**DeLonghi**



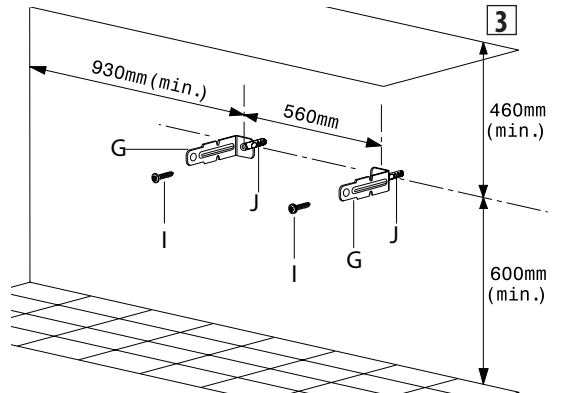
1



2



3



## IMPORTANT SAFEGUARDS

### Safety warnings



#### **Danger!**

Failure to observe the warning may result in life threatening injury by electric shock.

- Do not use this heater in the immediate surroundings of a bath, a shower, or a swimming pool;
- Never use the appliance to dry laundry.
- If the power cable is damaged, it must be replaced by the manufacturer, the manufacturer's customer services or a qualified electrician in order to eliminate all risk.



#### **Important!**

Failure to observe the warning could result in injury or damage to the appliance.

- The appliance is not intended for use by persons (including children) with reduced physical, sensory or mental capabilities, or lack of experience and knowledge, unless they have been given supervision or instruction concerning use of the appliance by a person responsible for their safety. Children should be supervised to ensure that they do not play with the appliance.
- **WARNING:** Do not use this heater in small rooms when they are occupied by persons not capable of leaving the room on their own, unless constant supervision is provided.
- The appliance must not be placed directly under a fixed socket.
- **CAUTION:** to avoid risks associated with accidental resetting of the safety system, this appliance must not be powered through an external timer.
- Do not obstruct the air intake and outlet area (danger of overheating).



#### **Danger of burns!!**

Failure to observe the warning could result in burns or scalds.

- **WARNING:** To avoid overheating, never under any circumstances cover the appliance during operation as this would lead to a dangerous rise in temperature.
- The use of an extension lead is not recommended, as it may overheat during the operation of the appliance.
- Never lay the power cable on top of the appliance when it is hot.
- Do not rest anything on the appliance.
- **WARNING:** to reduce the risk of fire, keep textiles, curtains, or any other flammable material a minimum distance of 1 m from the air outlet.
- Never place the appliance on long pile rugs or carpets to avoid obstructing the air intake grille on the bottom of the appliance.



#### **Please note:**

This symbol indicates recommendations and important information for the user.

- You are recommended to avoid positioning the appliance in a draught as strong air currents could reduce its efficiency.
- Use this heater on a horizontal and stable surface.
- Use the appliance in a vertical position only.
- Do not use the appliance if it has been dropped or fallen over.
- Do not use if there are visible signs of damage to the heater.
- The first time you use the appliance, leave it operating on maximum for at least 15 minutes to eliminate the "new" smell.

A little smoke may be given off. This is caused by the protective substances applied to the heating element before transport and is completely normal.

- Position the appliance in such a way that the plug and socket are easily accessible.
  - Do not use the appliance in rooms with a surface area of less than 4 m<sup>2</sup>.
  - The appliance is fitted with a safety device which turns it off in the event of accidental overheating.
  - To reset the device, unplug the appliance for a few minutes, remove the cause of the overheating, then plug in again. If the overheating reoccurs a number of times, contact customer services.
  - Before putting the appliance away, make sure it is completely cool and unplugged from the mains socket.
- Do not store in dusty atmospheres.
- The appliance must never be hung in any way.

**Use in accordance with the designated use**

Use this appliance only as described in this instruction manual. All other use is considered improper. This appliance is not suitable for commercial use. The manufacturer is not liable for damage deriving from improper use of the appliance. This is an household appliance only. It is not intended to be used in:

- staff kitchen areas in shops, offices and other working environments;
- farm houses;
- hotels, motels and other accommodation facilities;
- bed and breakfast type environments.


This type of use invalidates the manufacturer's guarantee.

**Fundamental safety warnings**

Dear customer - the plug on the appliance heats up during use. This is completely normal. This HIGH POWER HEATING APPLIANCE complies with our usual high standards. You should, however, make sure that your power socket is in good condition and that the plug on the appliance is plugged into the socket correctly to avoid accidental overheating. If the appliance is used for long periods of time, we recommend

checking the plug and mains socket regularly. If in doubt, consult an electrician.

**Disposing of the appliance**

 The appliance must not be disposed of with household waste, but taken to an authorised waste separation and recycling centre.

**General instructions**

Remove the heater from the packaging. Check that neither the heater nor the power cable has been damaged during transport. Do not operate the heater if damaged. Remove all publicity material present on the appliance. The appliance is suitable for free-standing or wall-mounted usage. Do not assemble the feet if wall-mounted.

**DESCRIPTION**

- A** Max + Fan indicator light
- B** Thermostat
- C** Power selector
- D** Timer
- E** Slider


**Electrical connection**

- Before connecting the appliance to the current outlet, check that the voltage indicated on the appliance rating plate is the same as your electric plant and that it can stand the power consumption (Watt) indicated by the labelling.
- If more than one appliance is used at once, it is important to ensure that the electric plant is able to support the power required.

**Mounting the feet**





Turn the appliance upside down on a rug or soft surface in order to prevent damaging the paint finish.

Fix the feet to the appliance with the nr. 4 screws (F) supplied

 (see fig. 1), 2 screws for each foot.

**Wall-Mounting Installation**

The wall mounting kit contains:

- 4 metal brackets (G) 
- 2 screws 4,8x13 PH (H) 
- 4 screws 4,5x25 PH (I) 
- 4 plastic anchors 6x30 (J) 

**Required tools for assembly and estimated assembly time**

Screwdriver PH 2 x 100 (Phillips type)  
 Estimated assembly time: 30 minutes

Before installing the unit , make sure of the following:

- a. **The appliance must not be located directly beneath a current outlet.**
- b. **The plug and outlet must be easy to reach after installation.**
- c. **No electric cables or other pipes could be damaged during the installation.**
- d. **Keep away from curtains or flammable materials.**

To wall-mount, proceed as follows:

Turn the appliance upside down on a flat stable surface. Using a screwdriver, fix the 2 brackets (G) with the 2 screws (H) as shown in Fig. 2. For brick walls use a 6 mm concrete drill bit.



For plaster board or false (hollow) walls, it is recommended to use appropriate screws and anchors (not supplied).

1. Before drilling the wall, mark the exact points, respecting the minimum distances as shown in fig. 3.
2. Drill the wall where previously marked, and insert the plastic anchors (J).
3. Fix the 2 metal brackets (G) using the two screws (I) provided.
4. Hang the appliance on the bracket.
5. Mark out the 2 lower fixing points. Remove the appliance, drill the lower holes and insert the wall anchors (J).
6. Now, you can hang back the heater on the bracket and fix the lower part of the appliance with the 2 remaining screws (I).

## USE

### Operation and use

Plug into the mains, turn the thermostat dial to maximum (position 6) and turn the appliance on by means of the power selector as described below:

- Turn the power selector knob to the **Min** position to select minimum power.
- Turn the power selector knob to the **Med** position to select medium power (only in some models).
- Turn the power selector knob to the **Max** position to select maximum power.
- Turn the power selector knob to the **Max**  position to select maximum power with the fan (the MAX + FAN indicator light comes on).
- To turn the appliance off completely: turn the power selector to the "0" position and the thermostat to the " " position, then unplug from the mains.


### Adjusting the thermostat

When the room has reached the required temperature, turn the thermostat dial slowly anticlockwise until you hear a click and no further.


The thermostat will automatically regulate the temperature set and

keep it constant. In spring or autumn or on mild days, you can save energy by using minimum power.

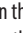

### Frost prevention mode

With the thermostat dial in the  position and one of the power levels selected, the appliance maintains room temperature at about 5°C, preventing freezing with minimal energy consumption.

### Models with ventilation

The appliance has 2 fans for faster more even heating. To start this function, turn the power selector to Max .

### Models with 24 hour timer

When the appliance is plugged to the mains the timer is always in turning movement, in order to stay synchronized with the local time. To operate the appliance without the timer, place the timer slider in the  OFF position. To operate the appliance at set times, position the slider in the  ON position and proceed as follows:

- Check the time on your clock or watch. If it is 10.00 for example, turn the numbered programmer disk until the number 10 coincides with the pointer marked on the programmer.
- Set the periods of time during which you want the appliance to operate by pushing the teeth outwards. Each tooth corresponds to a period of 30 min. At the end of this procedure, sectors corresponding to the operating periods can be seen.
- In this way, the appliance will function automatically each day at the times set. (Important: the appliance must always be plugged into the socket)
- To modify programming, return the teeth to the initial position and set the new operating periods.
- To turn the appliance off, turn the power selector to the "0" position.


## MAINTENANCE

Before carrying out any maintenance, unplug the heater from the mains and wait for it to cool off completely. This heater requires no particular maintenance. It is sufficient to remove the dust with a soft, dry cloth. Never use abrasive powders or solvents. If necessary remove concentrated areas of dirt with a vacuum cleaner.

## TECHNICAL CHARACTERISTICS

Supply voltage	See rating label
Absorbed power	"

## TROUBLESHOOTING

PROBLEM	CAUSE	SOLUTION
The appliance doesn't work	<p>Be sure it is plugged in and that the electrical outlet is working.</p> <p>Check for any obstruction.</p> <p>The power selector is in the "0" position.</p> <p>The thermostat may be set too low.</p> <p>Setting the timer</p>	<p>Plug into the outlet.</p> <p>Remove the obstruction, unplug the heater and let the appliance cool down. If the appliance doesn't work please contact the nearest service center.</p> <p>Turn the power selector to the position MIN, MED, MAX, MAX .</p> <p>Turn the thermostat clockwise to a higher setting until the heater restarts.</p> <p>Make sure the timer is correctly set to local time and check the position of the teeth.</p>

Proudly distributed by  
**De'Longhi Australia Pty Limited**

P.O. BOX 4540

CASULA MALL NSW 2170

Customer Service Ph: 1800 126 659

Fax: 1800 706932

[www.delonghi.com.au](http://www.delonghi.com.au)

e-mail: [info.au@delonghigroup.com](mailto:info.au@delonghigroup.com)

**De'Longhi New Zealand Limited**

99 Khyber Pass Road

Grafton 1023

Auckland, New Zealand

P.O. Box 58-056 Botany

MANUKAU 2163

Customer Service Ph: 0508 200 300

Fax: 0508 200 301

[www.delonghi.co.nz](http://www.delonghi.co.nz)

e-mail: [info.nz@delonghigroup.com](mailto:info.nz@delonghigroup.com)

**Register Now**   
[www.delonghi.com/register](http://www.delonghi.com/register)