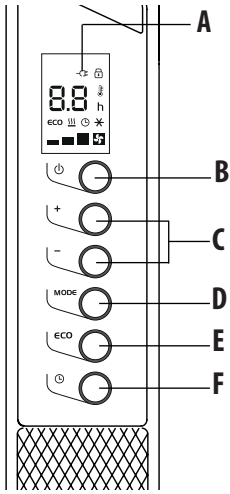

HCX Series

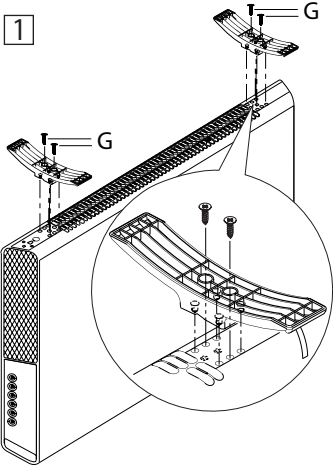
CONVECTOR Instructions for use



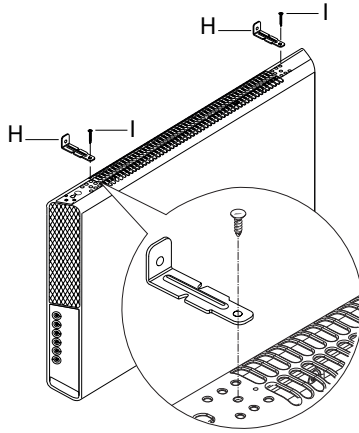
DeLonghi



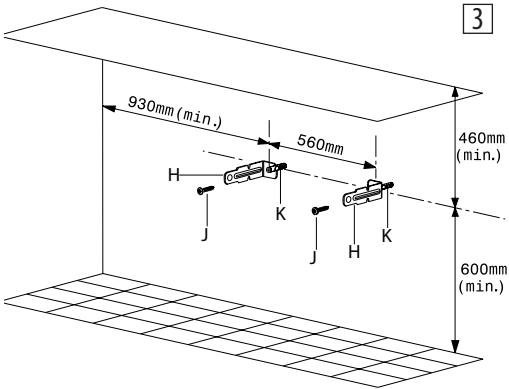
1



2



3



IMPORTANT SAFEGUARDS

Safety warnings



Danger!

Failure to observe the warning may result in life threatening injury by electric shock.

- Do not use this heater in the immediate surroundings of a bath, a shower, or a swimming pool;
- Never use the appliance to dry laundry.
- If the power cable is damaged, it must be replaced by the manufacturer, the manufacturer's customer services or a qualified electrician in order to eliminate all risk.



Important!

Failure to observe the warning could result in injury or damage to the appliance.

- The appliance is not intended for use by persons (including children) with reduced physical, sensory or mental capabilities, or lack of experience and knowledge, unless they have been given supervision or instruction concerning use of the appliance by a person responsible for their safety. Children should be supervised to ensure that they do not play with the appliance.
- **WARNING:** Do not use this heater in small rooms when they are occupied by persons not capable of leaving the room on their own, unless constant supervision is provided.
- The appliance must not be placed directly under a fixed socket.
- **CAUTION:** to avoid risks associated with accidental resetting of the safety system, this appliance must not be powered through an external timer.
- Do not obstruct the air intake and outlet area (danger of overheating).



Danger of burns!!

Failure to observe the warning could result in burns or scalds.

- **WARNING:** To avoid overheating, never under any circumstances  cover the appliance during operation as this would lead to a dangerous rise in temperature.
- The use of an extension lead is not recommended, as it may overheat during the operation of the appliance.
- Never lay the power cable on top of the appliance when it is hot.
- Do not rest anything on the appliance.
- **WARNING:** to reduce the risk of fire, keep textiles, curtains, or any other flammable material a minimum distance of 1 m from the air outlet.
- Never place the appliance on long pile rugs or carpets to avoid obstructing the air intake grille on the bottom of the appliance.



Please note:

This symbol indicates recommendations and important information for the user.

- You are recommended to avoid positioning the appliance in a draught as strong air currents could reduce its efficiency.
- Use this heater on a horizontal and stable surface.
- Use the appliance in a vertical position only.
- Do not use the appliance if it has been dropped or fallen over.
- Do not use if there are visible signs of damage to the heater.
- The first time you use the appliance, leave it operating on maximum for at least 15 minutes to eliminate the "new" smell. A little smoke may be given off. This is caused by the protective substanc-

es applied to the heating element before transport and is completely normal.

- Position the appliance in such a way that the plug and socket are easily accessible.
- Do not use the appliance in rooms with a surface area of less than 4 m².
- The appliance is fitted with a safety device which turns it off in the event of accidental overheating.
- To reset the device, unplug the appliance for a few minutes, remove the cause of the overheating, then plug in again. If the overheating reoccurs a number of times, contact customer services.
- Before putting the appliance away, make sure it is completely cool and unplugged from the mains socket.
Do not store in dusty atmospheres.
- The appliance must never be hung in any way.

Use in accordance with the designated use

Use this appliance only as described in this instruction manual. All other use is considered improper. This appliance is not suitable for commercial use. The manufacturer is not liable for damage deriving from improper use of the appliance. This is an household appliance only. It is not intended to be used in:

- staff kitchen areas in shops, offices and other working environments;
- farm houses;
- hotels, motels and other accommodation facilities;
- bed and breakfast type environments.

This type of use invalidates the manufacturer's guarantee.

Fundamental safety warnings

Dear customer - the plug on the appliance heats up during use. This is completely normal.

This HIGH POWER HEATING APPLIANCE complies with our usual high standards. You should, however, make sure that your power socket is in good condition and that the plug on the appliance is plugged into the socket correctly to avoid accidental overheating. If the appliance is used for long periods of time, we recommend checking the plug and mains socket regularly. If in doubt, consult an electrician.

Disposing of the appliance



The appliance must not be disposed of with household waste, but taken to an authorised waste separation and recycling centre.

DESCRIPTION

- A** Power indicator light
- B** ON/STAND-BY button
- C** +/- adjustment buttons
- D** MODE button (selects the operating mode)
- E** "ECO plus" button
- F** Timer button

General instructions

Remove the heater from the packaging. Check that neither the heater nor the power cable has been damaged during transport. Do not operate the heater if damaged. Remove all publicity material present on the appliance. The appliance is suitable for free-standing or wall-mounted usage. Do not assemble the feet if wall-mounted.


Electrical connection

- Before connecting the appliance to the current outlet, check that the voltage indicated on the appliance rating plate is the same as your electric plant and that it can stand the power consumption (Watt) indicated by the labelling.
- If more than one appliance is used at once, it is important to ensure that the electric plant is able to support the power required.

Mounting the feet

Required tool: Screwdriver PH 2 x 100 (Phillips type)

Turn the appliance upside down on a rug or soft surface in order to prevent damaging the paint finish.

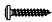
Fix the feet to the appliance with the nr. 4 screws (G) supplied  (see fig. 1), 2 screws for each foot.

Wall-Mounting Installation

The wall mounting kit contains:

4 metal brackets (H) 

2 screws 4,8x13 PH (I) 

4 screws 4,5x25 PH (J) 

4 plastic anchors 6x30 (K) 

Required tools for assembly and estimated assembly time

Screwdriver PH 2 x 100 (Phillips type)

Drill

Estimated assembly time: 30 minutes

Before installing the unit , make sure of the following:

- The appliance must not be located directly beneath a current outlet.**
- The plug and outlet must be easy to reach after installation.**
- No electric cables or other pipes could be damaged during the installation.**
- Keep away from curtains or flammable materials.**

To wall-mount, proceed as follows:

Turn the appliance upside down on a flat stable surface. Using a screwdriver, fix the 2 brackets (H) with the 2 screws (I) as shown in Fig. 2. For brick walls use a 6 mm concrete drill bit. For plaster board or false (hollow) walls, it is recommended to use appropriate screws and anchors (not supplied).

- Before drilling the wall, mark the exact points, respecting the minimum distances as shown in fig. 3.
- Drill the wall where previously marked, and insert the plastic anchors (K).
- Fix the 2 metal brackets (H) using the two screws (J) provided.
- Hang the appliance on the bracket.
- Mark out the 2 lower fixing points. Remove the appliance, drill the lower holes and insert the wall anchors (K).
- Now, you can hang back the heater on the bracket and fix the lower part of the appliance with the 2 remaining screws (J).

USE

Operation and use

- Plug into the mains socket.
- The appliance emits a beep. The power indicator light (A) comes on and remains lit while the appliance is powered.
- The appliance switches to stand-by.
- Press the ON/STAND-BY (B) to turn the appliance on. It begins heating the room according to the current settings.
- Press the MODE (D) button to select one of the following operating modes:
 - Freeze prevention ***
In this mode, the appliance keeps the room at a temperature of 7°C to avoid freezing.
 - Heating 1, 2, 3 and Heating 3 + Fan**
In this mode, the desired temperature can be selected by pressing the adjustment buttons + and -. By pushing the + or - button once, the temperature (shown on the display) will increase or decrease by 1°C.

Heating 1

The appliance operates at low power.

Heating 2

The appliance operates at medium power.

Heating 3

The appliance operates at high power.

Heating 3 + Fan


The appliance operates at the maximum power with the fan. The setting temperature range available is from 16°C to 32°C.

“ECO plus” function

The “ECO plus” function is available in Heating 1, 2 3 and 3 + fan modes only. To activate the function, press the “ECO plus” (E) button. When this function is active the appliance automatically sets the most appropriate power level to guarantee optimum comfort while reducing energy consumption.

While the “ECO plus” function is active, the appliance may switch automatically to a lower heating power than the one displayed.

Working indicator

The symbol  indicates the heating status by means of its colors.

 **RED:** the unit is heating at the maximum power.

 **YELLOW:** the unit is heating at the medium power.

 **GREEN:** the unit is heating at the minimum power.


 **absent:** the unit is not heating.

Brightness of the display

The appliance allows two different brightness settings for the display. The highest is active when any key button is pressed.



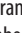
After a few seconds of keyboard inactivity, the brightness will decrease to the operating brightness level.

Key lock



In order to avoid accidental operation, you can lock the keyboard using the keylock function. To activate this function press buttons + and - (C) together for at least 3 seconds. The display shows the symbol  and a double acoustic signal will be emitted. To deactivate the function proceed in the same way.

Timer function

This function can be activated in two different ways.


Delayed start: With the appliance on-standby, press the timer button (F) . The  symbol is displayed flashing together with the hours left before the appliance comes on. Change the hours using the + and - (C) buttons, then wait a few seconds for the program to be stored. The display will return to off and the  symbols remains on. When the programmed time has elapsed, the appliance will come on with the previous settings.



Delayed stop: with the appliance on, press the timer button  (F). The  symbol is displayed flashing together with the hours left before the appliance goes on-standby. Change the hours using the + and - (C) buttons, then wait a few seconds for the program to be stored.

The current settings and  symbol are displayed.

At the end of the set time the appliance switches on-standby automatically. To go back to operating without the timer, press the timer button twice.

The timer symbol  disappears from the display.

Note: the time is settable from 0.5 to 24 hours.

Changing of the temperature scale

The display can show the temperature in both °F (Fahrenheit) and °C (Celsius). To select the desired temperature scale, when the unit is in standby position, press and hold the "+" key for at

least 10 seconds, then release.

The change of scale will be indicated by two short beeps.

MAINTENANCE

Before carrying out any maintenance, unplug the heater from the mains and wait for it to cool off completely. This heater requires no particular maintenance. It is sufficient to remove the dust with a soft, dry cloth. Never use abrasive powders or solvents. If necessary remove concentrated areas of dirt with a vacuum cleaner.

TECHNICAL CHARACTERISTICS

Supply voltage	See rating label
Absorbed power	"

TROUBLESHOOTING

PROBLEM	CAUSE	SOLUTION
The appliance doesn't work	Be sure it is plugged in and that the electrical outlet is working The temperature may be set too low The Key lock may be activated	Plug into the power outlet Set the temperature to a higher position See the section "Key lock"
The appliance doesn't work (the display could blink and you could hear an intermittent "beep")	The air intake or outlet grille is obstructed	Remove the obstruction, remove the plug from the mains and let the appliance cool down. After few minutes plug the appliance again. If the appliance doesn't work please contact a Customer Experience
The display shows a blinking dot and you hear an intermitten "beep"	The appliance could be tipped over or is positioned in an improper way	Make sure the appliance is standing upright on a flat surface. Position the appliance correctly
The display shows "PF"	The temperature sensor is malfunctioning	Contact the nearest customer service
The display shows "HT" blinking (the heating power will progressively and automatically be reduced)	The internal temperature is too high	To remove the cause of this alarm check that the unit is not covered or obstructed. The appliance will operate again after few minutes. Check the appliance is correctly positioned respecting the minun distances from the wall, or objects, as indicated on the rating label, if not, position the appliance correctly. The appliance will operate again after few minutes.

Proudly distributed by
De'Longhi Australia Pty Limited
P.O. BOX 4540
CASULA MALL NSW 2170
Customer Service Ph: 1800 126 659
Fax: 1800 706932
www.delonghi.com.au
e-mail: info.au@delonghigroup.com

De'Longhi New Zealand Limited
99 Khyber Pass Road
Grafton 1023
Auckland, New Zealand
P.O. Box 58-056 Botany
MANUKAU 2163
Customer Service Ph: 0508 200 300
Fax: 0508 200 301
www.delonghi.co.nz
e-mail: info.nz@delonghigroup.com

Register Now 
www.delonghi.com/register