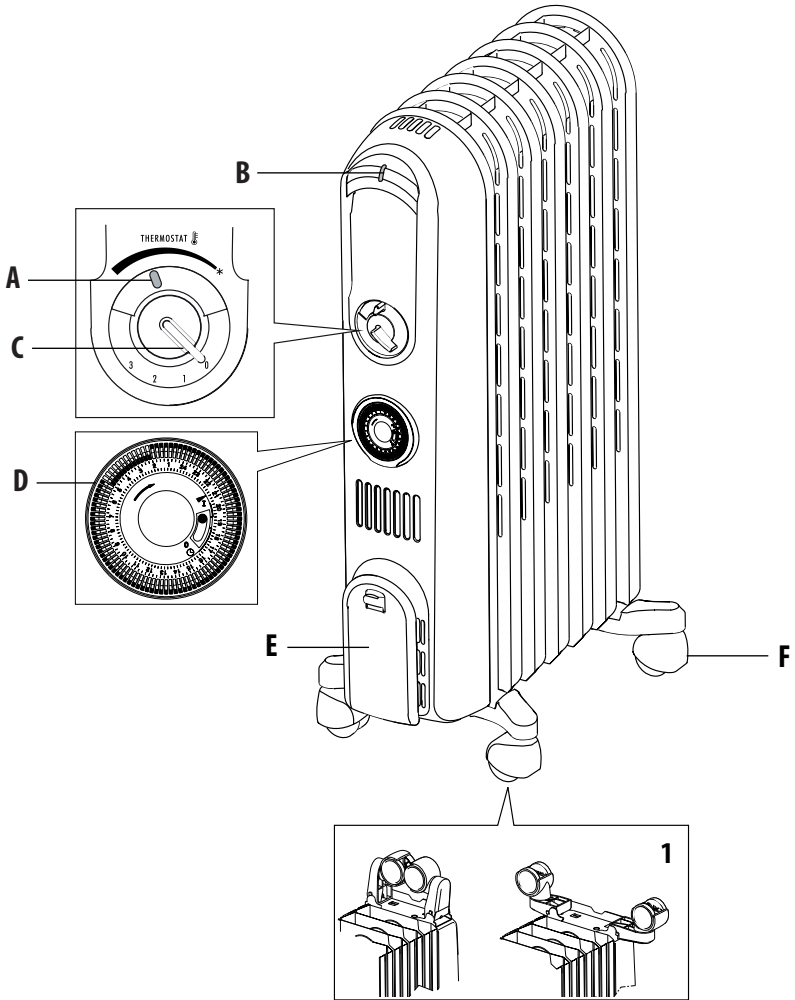

TRV Series

OIL FILLED RADIATOR Instructions for use



DeLonghi



IMPORTANT WARNINGS

Read all the Instruction for Use carefully before using the appliance. Keep this Instructions for Use.



Danger!

Failure to observe the warning may result in life threatening injury by electric shock.

- Do not use the heater in the vicinity of bathtubs, wash basins, showers, sinks and swimming pools.
- Never use the heater to dry laundry.
- If the power cable has been damaged, it must be replaced by the manufacturer or the technical service centre or by a qualified person so as to avoid all risks.



Important!

Failure to observe the warning could result in injury or damage to the appliance.

- This appliance can be used by children aged from 8 years and above and persons with reduced physical, sensory or mental capabilities or lack of experience and knowledge if they have been given supervision or instruction concerning use of the appliance in a safe way and understand the hazards involved.

Children shall not play with the appliance. Cleaning and user maintenance shall not be made by children without supervision.

- Children of less than 3 years should be kept away unless continuously supervised.
- Children aged from 3 years and less than 8 years shall only switch on/off the appliance provided that it has been placed or installed in its intended normal operating position and they have been given supervision or instruction

concerning use of the appliance in a safe way and understand the hazards involved. Children aged from 3 years and less than 8 years shall not plug in, regulate and clean the appliance or perform user maintenance.


CAUTION — Some parts of this product can become very hot and cause burns. Particular attention has to be given where children and vulnerable people are present.

- **WARNING:** Do not use this heater in small rooms when they are occupied by persons not capable of leaving the room on their own, unless constant supervision is provided.
- The body of this radiator is filled with a precise quantity of special oil, so that repairs requiring the opening of the oil body must only be made by the service agent. Any oil leakage must be reported to the Customer Experience, see enclosed guarantee for details.
- When scrapping the heater, follow the regulations concerning the disposal of oil.
- The appliance must not be located immediately below a fixed socket-outlet.
- **CAUTION:** in order to avoid any danger caused by an accidental resetting of the safety system, this appliance must not be powered through an external timer.
- Do not obstruct the air intake and outlet area (danger of overheating).



Danger of burns!!

Failure to observe the warning could result in burns or scalds.

- **WARNING:** In order to avoid overheating, never under any 

circumstances cover the appliances during operation, as this would lead to dangerous overheating.

- The use of an extension lead is not recommended, as overheating of the extension lead may occur during the operation of the heater.
- Never place the power cable on top of the heater while it is hot.
- Do not rest anything on the appliance.
- **WARNING:** To reduce the risk of fire, keep textiles, curtains, or any other flammable material a minimum distance of 1 m from the air outlet.



Please note:

This symbol indicates recommendations and important information for the user.

- We recommend that you not place the heater in a draught, because strong draughts of air may adversely affect the equipment's operational efficiency.
- Only use this heater on a horizontal and stable surface.
- Always use the appliance in an upright position.
- Do not use this heater if it has been dropped.
- Do not use if there are visible signs of damage to the heater.
- In order to eliminate the radiator's "new" smell, set it to maximum power for at least two hours when used for the first time. During this operation, the room in which the radiator is located must be ventilated. A little smoke due to the protective substances applied to the heating element before transport may be given off.
- Position the appliance so that the plug

and the outlet can be easily reached.

- Do not use the appliance in rooms less than 4 m² in area.
- The appliance is fitted with a safety device which will switch off it in case of accidental overheating. To reset, please contact Customer Experience, see enclosed guarantee.
- Before putting the appliance away, make sure it is completely cooled and unplugged from the mains socket. Do not store in dusty atmospheres.
- The appliance must not be hung.

Fundamental safety warnings

Dear customer - the plug on the appliance heats up during use. This is completely normal. This HIGH POWER HEATING APPLIANCE complies with our usual high standards. You should, however, make sure that your power socket is in good condition and that the plug on the appliance is plugged into the socket correctly to avoid accidental overheating. If the appliance is used for long periods of time, we recommend checking the plug and mains socket regularly. If in doubt, consult an electrician.

For non-EU countries only:

This appliance is not intended for use by persons (including children) with reduced physical, sensory or mental capabilities, or lack of experience and knowledge, unless they have been given supervision or instruction concerning use of the appliance by a person responsible for their safety. Children should be supervised to ensure that they do not play with the appliance.

DESCRIPTION

- A Thermostat pointer
- B Indicator light
- C Power selector
- D Timer
- E Cord holder
- F Wheel

USE

“Easy wheel” system

Turn the radiator upside down and rest it on a piece of cloth or other soft surface to avoid damaging the paint.

Open the wheels completely by rotating them outwards (fig. 1). Turn the radiator upright.

Important

When in use, the radiator should always be kept vertical (wheels at the bottom, controls at the top). Any other position could be dangerous!

Connection

- Before using the appliance check that your supply voltage is the same of that shown on the rating label of the unit and that the power socket and power supply line correspond to the load specified.
- Check also the current capacity of your fuses. **CONNECT YOUR HEATER TO EARTH PROVIDED SOCKET ONLY.**

The radiator must be connected to a perfectly functioning 230-240 V AC socket with correct poles. Avoid contact between clothing, household linen, furniture, inflammable material and the socket providing power to the radiator.

TURNING ON

Plug into the mains, turn the thermostat pointer as far as it will go to maximum and turn the radiator on using the power selector as described below:

- Turn the power selector to 1 (minimum power) (the light comes on).
- Turn the power selector to 2 (medium power) (the light comes on).
- Turn the power selector to 3 (maximum power) (the light comes on).

i Please note: For economic operation, once the appliance has reached working temperature, you can use minimum or medium power (1 or 2).

Adjusting the thermostat

When the room has reached the required temperature, turn the thermostat slowly clockwise until a "click" is heard and no further. The thermostat will automatically regulate the temperature set and keep it constant. If your model has three power levels, in the spring or autumn or on mild days, you can further save energy by using minimum power.

Frost protection function

Turn the thermostat dial to the ❄️ and select the maximum power, the appliance maintains room temperature at about 5°C, preventing freezing with minimal energy consumption.

i Please note: To turn the appliance off completely, turn the power selector to "0".

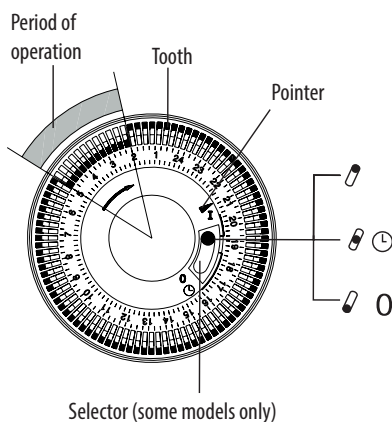
THE TIMER

As with all clocks, the timer must be set to the exact time. For example, if it is 9.30 in the morning, turn the dial of the timer clockwise (in the direction of the arrow) until 9.30 is lined up with the pointer

IMPORTANT: DO NOT TURN THE DIAL OF THE TIMER ANTICLOCKWISE.

The timer is an electric clock and works only if plugged into a socket. If disconnected, the timer stops and must be reset.

See figure below:



- I Appliance off
- ⌚ Programme mode
- 0 Manual mode

IMPORTANT: the timer consists of 96 teeth, each representing a 15-minute period. The appliance can be programmed to come on and go off at set times. With the timer, the appliance is programmed to within 15 minute intervals and you can programme up to 48 cycles (each cycle consists of a coming on and a going off time) during a 24 hour period). The teeth can be pushed or pulled with your fingers. When a tooth is pushed towards the centre of the dial, the radiator remains in operation for those 15 minutes. If the tooth is pulled out, the radiator is off during that period.

Using the timer

- A) Plug into the mains socket.
- B) Turn the dial clockwise to set the current time (see SETTING THE CLOCK).
- C) Push the teeth corresponding to the period you do not want the radiator to operate towards the outside. For example, the radiator in the figure will be on from 2.00 to 5.00.
- D) Turn the power selector to the required position (1, 2 or 3).
- E) Once the teeth have been set for the desired periods of heating, the radiator will come on and go off as set.
- F) While the radiator remains plugged into the socket, the timer retains the correct time.

OPERATION WITHOUT TIMER

To operate without timer, place the selector in the I position (see figure).

To go back to programmed operation, place the selector in the ⌚ position.



Please note: when the selector is in the 0 position, the appliance is off. In the I and 0 positions, the timer is still set to the current time.

Safety device

A safety device shuts the radiator down in the case of overheating. To start the radiator up again, call the nearest service centre.

MAINTENANCE AND SERVICE

Before performing any operations on the appliance, always unplug from the mains socket and leave to cool.

Dust the radiator with a soft damp cloth without using detergents or abrasives.

If the radiator is not used for a long period of time, wrap the cable around the cable tidy and store the appliance in a dry place. This appliance has been made to last many years without problems.

In the event of malfunction or doubt, do not try and repair on your own. There would be the danger of fire or electric shock. Call the nearest service centre (see list of service centres).

TECHNICAL CHARACTERISTICS

Power supply	See rating plate
Absorbed power	"

TROUBLESHOOTING

PROBLEM	CAUSE	SOLUTION
The appliance doesn't work	Be sure it is plugged in and that the electrical outlet is working.	Plug into the power outlet.
	Check for any obstruction.	Remove the obstruction and let the appliance cool down. If the appliance doesn't work please contact the nearest De'Longhi Customer Service.
	The temperature may be set too low.	Set the temperature to a higher position.

Proudly distributed by
De'Longhi Australia Pty Limited
P.O. BOX 4540
CASULA MALL NSW 2170
Customer Service Ph: 1800 126 659
Fax: 1800 706932
www.delonghi.com.au
e-mail: info.au@delonghigroup.com

De'Longhi New Zealand Limited
99 Khyber Pass Road
Grafton 1023
Auckland, New Zealand
P.O. Box 58-056 Botany
MANUKAU 2163
Customer Service Ph: 0508 200 300
Fax: 0508 200 301
www.delonghi.co.nz
e-mail: info.nz@delonghigroup.com

Register Now 
www.delonghi.com/register