

Register Now 

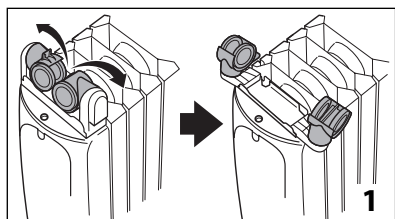
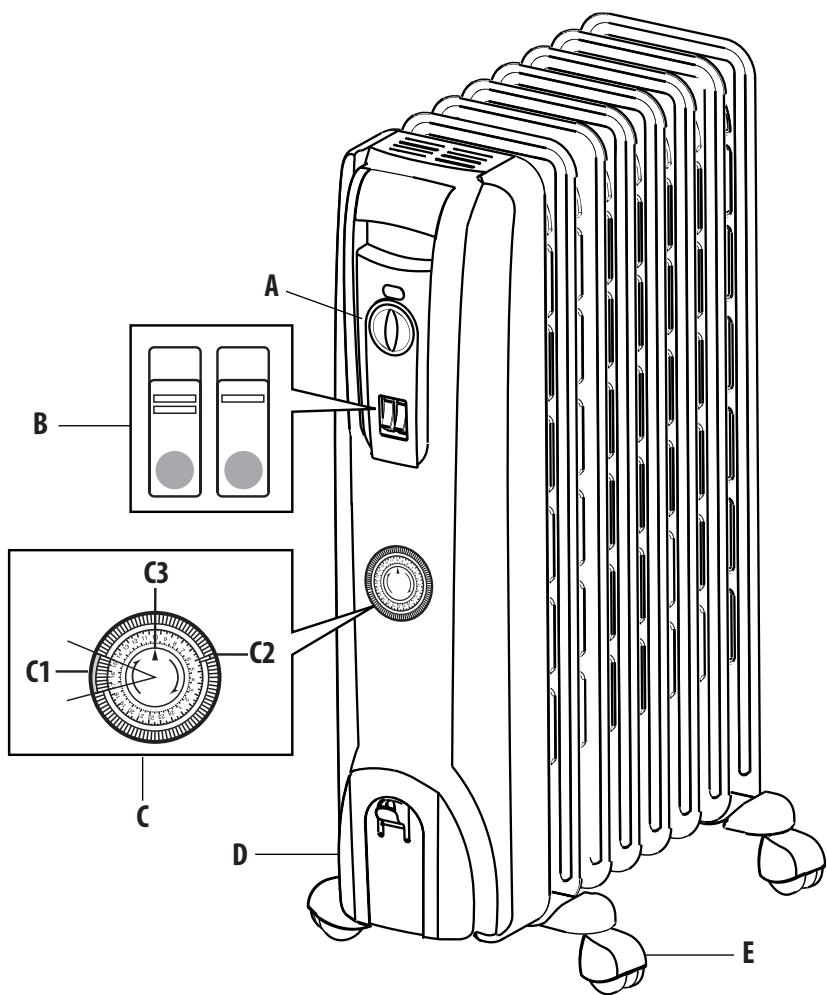
www.delonghi.com/register

KH77 Series

OIL FILLED RADIATOR
Instructions for use



DeLonghi



IMPORTANT WARNINGS



Failure to observe the warning may result in life threatening injury by electric shock.

- Do not use this heater in the immediate surroundings of a bath, a shower or a swimming pool;
- Never use the heater to dry laundry.
- If the power cable has been damaged, it must be replaced by the manufacturer or the technical service centre or by a qualified person so as to avoid all risks.



Failure to observe the warning could result in injury or damage to the appliance.

- This appliance can be used by children aged from 8 years and above and persons with reduced physical, sensory or mental capabilities or lack of experience and knowledge if they have been given supervision or instruction concerning use of the appliance in a safe way and understand the hazards involved.

Children shall not play with the appliance. Cleaning and user maintenance shall not be made by children without supervision.

- Children of less than 3 years should be kept away unless continuously supervised.
- Children aged from 3 years and less than 8 years shall only switch on/off the appliance provided that it has been placed or installed in its intended normal operating position and they have been given supervision or instruction concerning use of the appliance in a safe way and understand the hazards involved. Children aged from 3 years

and less than 8 years shall not plug in, regulate and clean the appliance or perform user maintenance.

CAUTION — Some parts of this product can become very hot and cause burns. Particular attention has to be given where children and vulnerable people are present.

- **WARNING:** Do not use this heater in small rooms when they are occupied by persons not capable of leaving the room on their own, unless constant supervision is provided.
- The body of this radiator is filled with a precise quantity of special oil, so that repairs requiring the opening of the oil body must only be made by the service agent. Any oil leakage must be reported to the Customer Experience, see enclosed guarantee for details.
- When scrapping the heater, follow the regulations concerning the disposal of oil.
- The appliance must not be located immediately below a fixed socket-outlet.
- **CAUTION:** in order to avoid any danger caused by an accidental resetting of the safety system, this appliance must not be powered through an external timer.
- Do not obstruct the air intake and outlet area (danger of overheating).



Failure to observe the warning could result in burns or scalds.

- **WARNING:** In order to avoid overheating, never under any circumstances cover the appliances during operation, as this would lead to dangerous overheating.
- The use of an extension lead is not



recommended, as overheating of the extension lead may occur during the operation of the heater.

- Never place the power cable on top of the heater while it is hot.
- Do not rest anything on the appliance.
- **WARNING:** To reduce the risk of fire, keep textiles, curtains, or any other flammable material a minimum distance of 1 m from the air outlet.



Please note:

This symbol indicates recommendations and important information for the user.

- We recommend that you not place the heater in a draught, because strong draughts of air may adversely affect the equipment's operational efficiency.
- Only use this heater on a horizontal and stable surface.
- Always use the appliance in an upright position.
- Do not use this heater if it has been dropped.
- Do not use if there are visible signs of damage to the heater.
- In order to eliminate the radiator's "new" smell, set it to maximum power for at least two hours when used for the first time. During this operation, the room in which the radiator is located must be ventilated. A little smoke due to the protective substances applied to the heating element before transport may be given off.
- Position the appliance so that the plug and the outlet can be easily reached.
- Do not use the appliance in rooms less than 4 m² in area.
- The appliance is fitted with a safety device which will switch off it in case of

accidental overheating.

To reset, please contact Customer Experience, see enclosed guarantee.

- Before putting the appliance away, make sure it is completely cooled and unplugged from the mains socket. Do not store in dusty atmospheres.
- The appliance must not be hung.

Fundamental safety warnings

Dear customer - the plug on the appliance heats up during use. This is completely normal. This HIGH POWER HEATING APPLIANCE complies with our usual high standards. You should, however, make sure that your power socket is in good condition and that the plug on the appliance is plugged into the socket correctly to avoid accidental overheating. If the appliance is used for long periods of time, we recommend checking the plug and mains socket regularly. If in doubt, consult an electrician.

For non-EU countries only:

This appliance is not intended for use by persons (including children) with reduced physical, sensory or mental capabilities, or lack of experience and knowledge, unless they have been given supervision or instruction concerning use of the appliance by a person responsible for their safety. Children should be supervised to ensure that they do not play with the appliance.

Disposing of the appliance



The appliance must not be disposed of with household waste, but taken to an authorised waste separation and recycling centre.

DESCRIPTION

- A Thermostat
- B Indicator light
- C Timer (certain models only)
 - C1 Operating time
 - C2 Tooth
 - C3 Pointer
- D Wheels
- E Power selector

USE

Models with "easy wheel" system

Turn the radiator upside down and rest it on a piece of cloth or other soft surface to avoid damaging the paint.

Open the wheels completely by rotating them outwards (fig. 1). Turn the radiator upright.

Electrical connection

- Before plugging the appliance into the mains socket, check that the mains power supply corresponds to the value indicated on the rating plate and that the mains power supply is adequate for the load.
 - Also check the capacity of the fuses.
- PLUG THE RADIATOR INTO AN EARTHED SOCKET ONLY.

The radiator must be connected to a perfectly functioning 230-240V socket with correct poles. Avoid contact between clothing, household linen, furniture, inflammable material and the socket providing power to the radiator.

OPERATION AND USE

Turning on

Plug into a mains socket. Turn the thermostat as far as it will go to the maximum position. Turn the radiator on using the switch/switches following the procedure described in points a) and b).

a) Models with single switch (1 power)

- button in "I" position = full power (light on)
- button in "O" position = off (light off)

b) Models with double switch (3 powers)

- button in "MIN" position only = minimum power (light on)
- button in "MED" position only = medium power (light on)
- both buttons in "MIN" and "MED" positions = maximum power (lights on)

Adjusting the thermostat

When the room has reached the required temperature, turn

the thermostat dial slowly anticlockwise until the indicator light goes out (or until you hear a "click") and no further.

Frost prevention mode

With the thermostat in the ✖ position and the switches pressed, the appliance maintains room temperature at about 5°C, preventing freezing with minimal energy consumption.

APPLIANCES WITH 24 ORE TIMER

To set the heating periods proceed as follows:

- Check the time on your clock. If it is 10.00, turn the numbered timer dial until the number 10 coincides with the pointer ▲.
- Set the periods of time during which you want the appliance to operate by pushing the teeth towards the centre. Each tooth corresponds to 15 minutes. At the end of this procedure, sectors corresponding to the operating periods can be seen.
- The radiator will now operate automatically every day at the set time (important: it must always be plugged in to the mains socket).
- To modify programming, return the teeth to the initial position and set the new operating periods.
- To use the appliance without programming, push all the teeth into the centre. In this case, to turn the appliance off completely, as well as turning off the switches, also unplug from the mains to avoid the timer operating uselessly.

Turbo" heating mode

Some models have a fan to heat the room more quickly. To start this function, press the button to the ✎ position. Important: A safety device trips and turns the appliance off in the event of overheating due to an accumulation of dust on the air intake and output grills. To reset, unplug the appliance from the mains socket and leave to cool down. Clean the air intake and output grills with a vacuum cleaner, then replug into the mains and turn on again.

MAINTENANCE AND CUSTOMER SERVICES

Before performing any operations on the appliance, always unplug from the mains socket and leave to cool. Dust the radiator with a soft damp cloth without using detergents or abrasives.

If the radiator is not used for a long period of time, wrap the cable around the cable tidy and store the appliance in a dry place. In the event of malfunction or doubt, do not try and repair on your own. There would be the danger of fire or

electric shock. Call your nearest customer services (see list of customer service centres).

TECHNICAL DATA

Supply voltage	See rating plate
Absorbed power	“

TROUBLESHOOTING

PROBLEM	CAUSE	SOLUTION
The appliance does not work	The appliance is not plugged into a mains socket	Plug into the mains socket
	The socket is not working properly	Make sure the socket is working
	There are obstructions.	Remove the obstruction and wait until the appliance has cooled down. If the appliance does not work, contact customer services
	The set temperatures may be too low	Set a higher temperature