



**Living Innovation**  
意大利·德龙



**Living Innovation**  
意大利·德龙

## 对流式取暖器

### 使用说明



**HCO620FT**

◆若有任何需求请与下述地址联系：  
 广东美菱电器（深圳）有限公司  
 地址：深圳市福田区莲花路4018号骑士大厦23A01室  
 电话：(0755) 25642200  
 传真：(0755) 25649777  
 邮编：518001 网址：www.delonghi-china.com

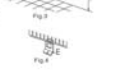
27113001/08/07

HC-002

### HCO620F T对流式取暖器

- 电器连接**
  - 在插上电源前请确认电源电压是否和电源上的标识电压（V）相符。插座与电源线需符合使用的要求。
  - 本机遵守于电磁兼容性的IEC指令89/336规定和476/92规定。
- 连接底座**
  - 固定底座按照以下操作流程进行；
  - 插入底座到底部导轨并使其推至规定位置直至底座两个扣固定到相应的位置(如图1所示)。
- 墙壁安装**
  - 在墙上打孔之前，确保墙中的电缆和管道不被碰到，用固定架“D”“E”安装机器到墙上相应的固定架即提供相关的螺栓和螺母。
  - 安装固定架“D”确保如图3所示的距离。
  - 将机器放在两个固定架之上并使其与图2个固定架“E”安装架（如图4所示）。
  - 在墙上标示固定架的位置。
  - 移开机器并在固定架上打入螺母装置。
  - 固定机器并直接将螺母固定到机器上。
  - 到此该机器已经被固定在墙壁上了。
  - 请向机器安装在固定电源插座的正下方。
  - 安装位置请确保机器电源和电源插座的方便使用。
- 操作和使用**
  - 打开机器将温度调节器调节到最大并且选择功率。
  - 功率选择按钮调到最小位置表示最小功率。
  - 功率选择按钮调到中间位置表示中等功率。
  - 功率选择按钮调到最大位置表示最大功率。
- 调节温度调节器**
  - 当室温达到所需温度时，这时慢慢的旋转温度调节器直到指示灯熄灭，温度调节器会自动把室温维持在所选定的温度上。
- 防冻模式**
  - 当温度调节器调节至“M”位置并且启动某个功率档位情况下室温将会维持在5摄氏度，这样可以防冻并且能耗更低。
- 风扇模式**
  - 该机器有风扇模式可以推进加热，在该模式下功率将被调节到最大位置。






### 8. 24小时定时工作模式

请按以下程序设置操作：

- 确认您的钟表时间。举例如，如果是10点，那么将计时器上的数字10和▲调平，将调节器调到中心来设置您所要的时间长度。每个齿轮相当于15分钟，设置以后可以看到代表运行时间的红色区域。
- 在保持电源接通时，机器可以在您设计的时间有自动控制。
- 如果需要进行调整请调节调节器调到相应位置进行新的操作设置。

如果不设定时间，将所有的调节器调到中心，这种情况下调节器A和位置并且保持电源以阻止机器启动

### 9. 保养

- 维护机器前必须关闭一切电源。
- 一般情况下该机器不用特殊保养如果需要在机器冷却后用于干净的干布擦净。请勿使用清洁剂或粗糙物来清洗。

### ● 注意事项

- 为了避免任何由于意外的安全系统设置引起的危险，该机器禁止拆卸定时器。
- 首次使用机器为了消除异味将机器在最大功率位置运行15分钟。
- 请勿在浴室、厨房、游泳池边使用机器。该机器禁止直接放在电源插座下方使用。
- 请勿将电源线放在热的机器上。
- 机器使用时必须保持直立。
- 不要在小于4平方米的房间内使用该机器。
- 如果电源插头损坏通知制造商进行更换，或者授权的售后服务机构进行更换。
- 请勿堵塞该取暖器的进气口和出气口。
- 一旦机器发生过热必须关闭该机器，在重新插电前等待5分钟然后再重新插上电源。
- 机器运行的时候，为了避免过热请勿再盖机器。
- 该产品使用后请勿作为城市一般垃圾处理。
- 该机器必须通过当地专门的垃圾分类回收中心进行处理。




Fig 1

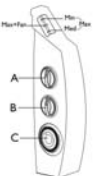


Fig 2

- GB**
  - Electrical connections**

Before plugging into the mains, make sure the voltage of your mains supply corresponds to the value V indicated on the appliance and that the socket and power line are appropriate for the load required.

THIS APPLIANCE COMPLIES WITH DIRECTIVE 89/336/EEC AND D.M. 476/92 ON ELECTROMAGNETIC COMPATIBILITY.
  - Attaching the feet**

To fit the feet, proceed as follows:  
Insert the feet into the guide on the side and push so far as it will go until the two teeth lock in place (Fig. 1).
  - Wall mounting**

**IMPORTANT!** before drilling the wall, make sure the area is free of electrical wires or pipes. To fix your connector heater to the wall, use the brackets "D" and "E" provided and appropriate screws and anchors (not provided).  
Proceed as follows:  
    - Fix the brackets "D", making sure the distances are as shown in Fig. 3.
    - Hang the heater on the two brackets fixed to the wall. Insert the two brackets "E" in the back of the connector base as shown in Fig. 4.
    - Mark the bracket fixing points on the wall. (When mounted, block the base of the heater in a fixed position to prevent it being removed).
    - Remove the heater, drill the wall and insert the anchors.
    - Fix the heater again, inserting the brackets "E" into the base of the heater and fixing them to the holes in the wall using the screws.

Now your heater is mounted on the wall.  
**The appliance must not be positioned directly underneath a fixed power point.**  
Position the appliance in such a way that the plug is easily accessible even after installation.

- Operation and use**

Turning on  
Plug into the mains, turn the thermostat dial (B) to maximum and turn the appliance on by means of the power selector (A) as described below.  
- Turn the selector to the Max position to select minimum power (the Max power light comes on).
- Turn the selector to the Med position to select medium power (the Med power light comes on).
- Turn the selector to the Max position to select maximum power (the Max power light comes on).
- Adjusting the thermostat**

When the room has reached the required temperature, turn the thermostat dial (B) slowly anticlockwise until the light goes out and no further. The thermostat will automatically regulate the temperature set and keep it constant.  
In spring or autumn or on mild days, you can save energy by using minimum power.
- Frost prevention mode**

With the thermostat dial in the M position and one of the power levels selected, the appliance maintains room temperature at about 5°C, preventing freezing with minimal energy consumption.
- Models with fan**

A number of models have a fan for faster more even heating. To use this function, turn the power selector (A) to the Max position. (The corresponding light comes on).

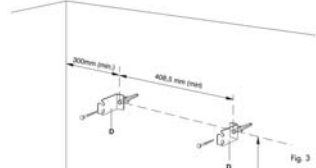


Fig 3

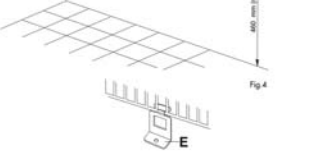


Fig 4

### 8. Models with 24 hour timer (C)

To set the heating periods proceed as follows:

- Check the time on your clock or watch. If it is 10.00 for example, turn the numbered programmer dial until the number 10 coincides with the pointer ▲ marked on the programmer.
- Set the periods of time during which you want the appliance to operate by pushing the teeth towards the centre. Each tooth corresponds to a period of 15 min. At the end of this procedure, sectors corresponding to the operating periods can be seen.
- In this way, the appliance will function automatically each day at the times set. (Important: the appliance must always be plugged into the socket).
- To modify programming, return the teeth to the initial position and set the new operating periods.
- To use the appliance without programming, push all the teeth into the centre.
- In this case, to turn the appliance off completely, turn the dial (A) to the "O" position and unplug from the mains to avoid the programmer operating uselessly.

### 9. Maintenance

Always unplug from the mains socket before cleaning.  
The connector heater requires no special maintenance. It is sufficient to remove dust with a soft dry cloth. Clean when cold only. Never use abrasive powders or solvents.

### WARNINGS

Important: to avoid the safety system resetting accidentally, this appliance must not be powered through an external timer.

- The first time you use the appliance, operate it for at least 15 minutes with the thermostat at maximum to activate the "fan" mode. A little smoke due to the protective substances applied to the heating element before transport may be given off.
- Do not use the connector heater near bath tubs, showers, sinks or swimming pool. The appliance must not be placed directly under a fixed socket.
- Do not rest the power cable on the appliance when hot.
- Always use the heater in a vertical position only.
- Do not obstruct the hot air outlet grilles or the air intake grilles on the bottom of the appliance.
- If the power cable is damaged, it must be replaced by the manufacturer, an authorised service centre or a qualified electrician in order to eliminate all risk.
- Do not use this appliance in rooms measuring less than 4m<sup>3</sup>. You should avoid positioning it in corners of air which could disturb operation of the heater.

**A safety device trips and turns the appliance off in the event of overheating or if it is placed in strong currents of air. To reset, unplug the appliance from the mains socket and leave to cool down (about five minutes), remove the cause of overheating, plug back into the mains and turn on again.**  
A number of models are fitted with a special device which turns power off if the appliance is tipped over, dented or knocked. If this occurs, you will hear a beep.

**WARNING:** In order to avoid overheating, never under any circumstances cover the appliances during operation.

**CAUTION:** In order to avoid a hazard due to inadvertent resetting of the thermal cut-out, this appliance must not be supplied through an external switch device, such as a timer, or connected to a circuit that is regularly switched on and off by the utility.

### IMPORTANT INFORMATION FOR CORRECT DISPOSAL OF THE PRODUCT IN ACCORDANCE WITH EC DIRECTIVE 2002/96/EC

At the end of its working life, the product must not be disposed of as urban waste. It must be taken to a special local authority differentiated waste collection centre or to a dealer providing this service.

Disposing of a household appliance separately avoids possible negative consequences for the environment and health deriving from inappropriate disposal and enables the constituent materials to be recovered to obtain significant savings in energy and resources. As a reminder of the need to dispose of household appliances separately, the product is marked with a crossed-out wheeled dustbin.