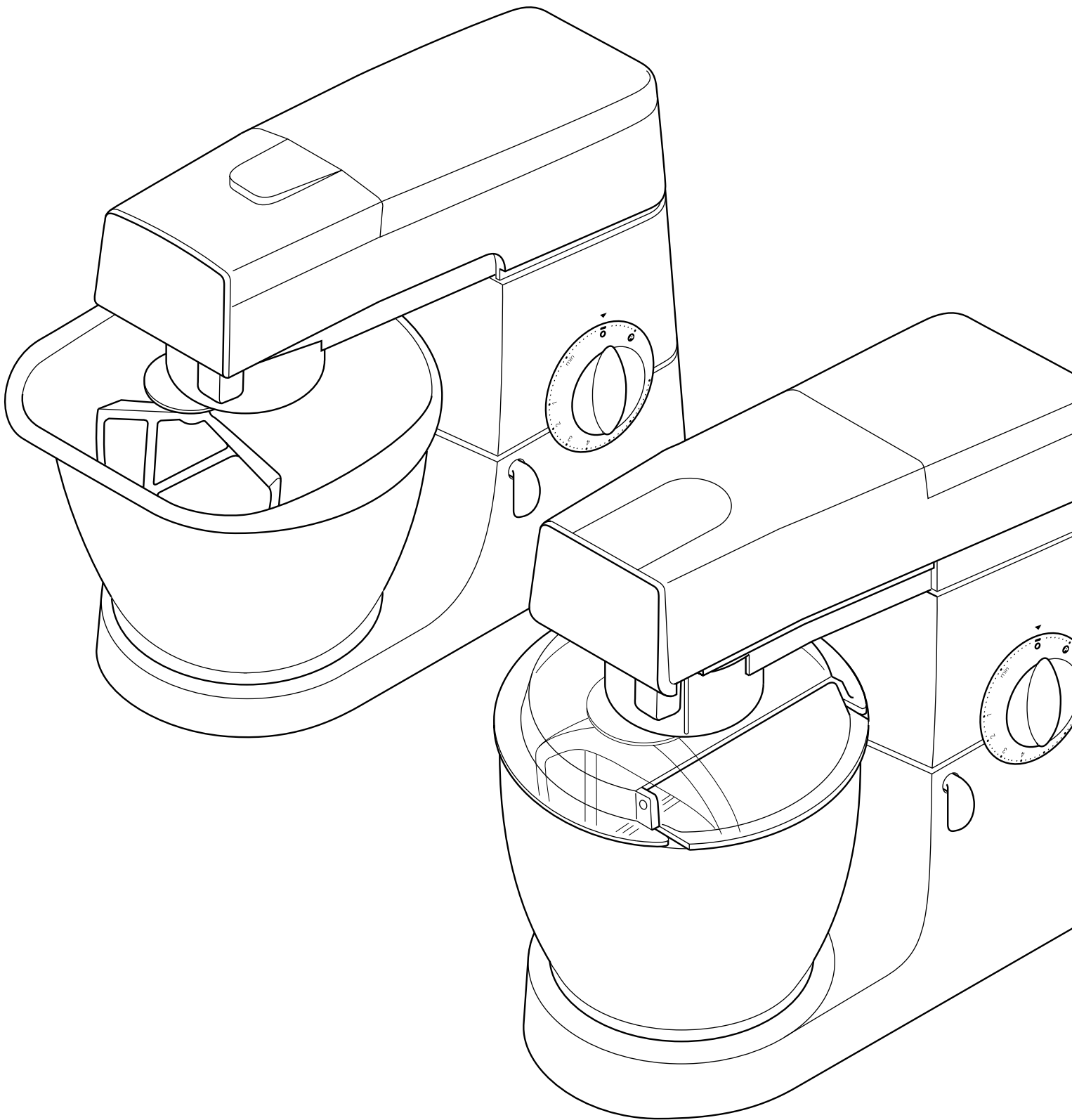


Kenwood Chef KM300, KM400 series
Major KM600, KM800 series



KENWOOD

Kenwood

English

page 1 **instructions**

Congratulations on buying a Kenwood. With such a wide range of attachments available, it's more than just a mixer. It's a state-of-the-art kitchen machine. We hope you'll enjoy it.
Robust. Reliable. Versatile. Kenwood.

Français

page 9 **mode d'emploi**

Félicitations pour l'achat de votre robot Kenwood. Avec une gamme impressionnante d'accessoires adaptables, votre robot est plus qu'un simple batteur: c'est un robot de cuisine ultra-perfectionné qui vous donnera entière satisfaction. Nous espérons que vous l'apprécierez.
Solide. Sûr. sur-mesure. Kenwood.

Español

página 17 **instrucciones**

Felicidades por comprar un aparato Kenwood. Con el abanico de accesorios disponibles, Ud. ha comprado algo más que una mezcladora. Es una obra de arte para la cocina. Esperamos que lo disfrute.
Sólida. Fiable. Versátil. Kenwood.

Portugêus

página 25 **instruções**

Parabéns pela compra da sua Kenwood. Com a grande variedade de acessórios para ela disponíveis, esta máquina é mais que uma batedeira. É uma máquina de cozinha super moderna. Esperamos que a sua Kenwood lhe dê muito prazer.
Robusta. Fiável. Versátil. Kenwood.

عربي

تعليمات ٣٣ صفحة

نهنتكم على شراء جهاز كينوود. ومع توفر تشكيلة واسعة كهذه من الملحقات، فهو ليس مجرد خلاطة. بل انه جهاز مطبخ غاية في الروعة والانتقان. اننا نأمل تمتعكم به.
متين، موثوق، متعدد الاستعمالات، كينوود.

know your Kenwood kitchen machine

safety

- Switch off and unplug before fitting or removing tools/attachments, after use and before cleaning.
- This machine is not intended for use by young children or infirm persons without supervision.
- Keep your fingers away from moving parts and fitted attachments.
- Never leave the machine on unattended.
- Never use a damaged machine. Get it checked or repaired: see 'service', page 6.
- Never use an unauthorised attachment or more than one attachment at once.
- Never exceed the maximum capacities on page 2.
- Don't let children play with this machine.
- When using an attachment, read the safety instructions that come with it.
- Only use this machine for domestic food preparation.

before plugging in

- important - UK only
- Make sure your electricity supply is the same as the one shown on the underside of your machine.
 - The wires in the cord are coloured as follows:
Blue = Neutral, Brown = Live.
 - This machine complies with European Economic Community Directive 89/336/EEC.

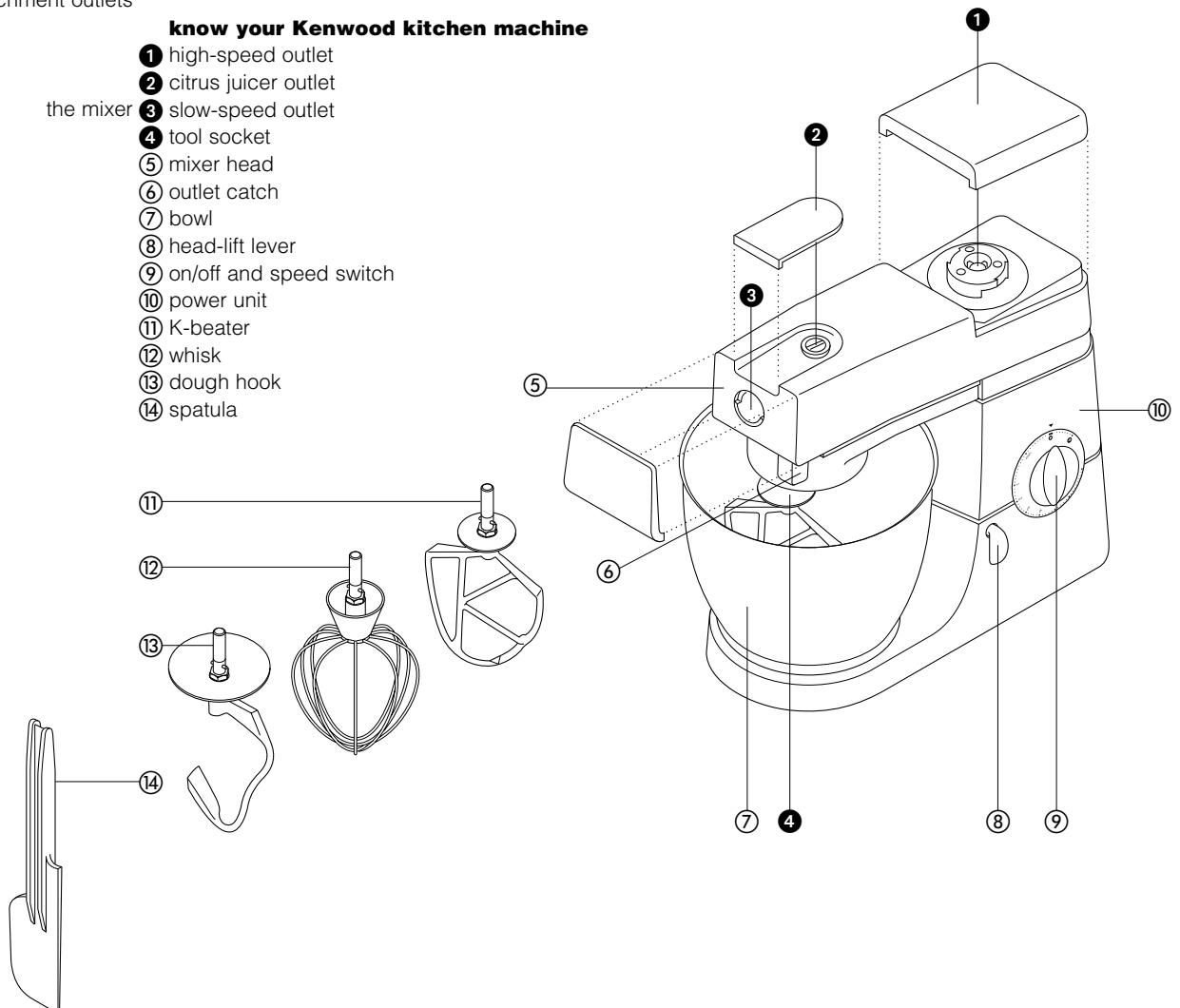
before using for the first time

- 1 Remove all packaging.
- 2 Wash the parts: see 'care and cleaning', page 6.

attachment outlets

know your Kenwood kitchen machine

- 1 high-speed outlet
- 2 citrus juicer outlet
- 3 slow-speed outlet
- 4 tool socket
- 5 mixer head
- 6 outlet catch
- 7 bowl
- 8 head-lift lever
- 9 on/off and speed switch
- 10 power unit
- 11 K-beater
- 12 whisk
- 13 dough hook
- 14 spatula



the mixer

the mixing tools and some of their uses

- K-beater • For making cakes, biscuits, pastry, icing, fillings, éclairs and mashed potato.
- whisk • For eggs, cream, batters, fatless sponges, meringues, cheesecakes, mousses, soufflés. Don't use the whisk for heavy mixtures (eg creaming fat and sugar) - you could damage it.
- dough hook • For yeast mixtures.

to use your mixer

- 1 Turn the head-lift lever anti-clockwise ❶ and raise the mixer head till it locks.
- to insert a tool 2 Turn till it stops ❷ then push.
- 3 Fit the bowl onto the base - press down and turn clockwise ❸
- 4 Turn the head-lift lever anti-clockwise and lower the mixer head till it locks.
- 5 Select a speed, then switch on by turning the speed switch.
- Switch to pulse **P** for short bursts.
- to remove a tool 6 Unscrew.

- hints
- Switch off and scrape the bowl with the spatula frequently.
 - Eggs at room temperature are best for whisking.
 - Before whisking egg whites, make sure there's no grease or egg yolk on the whisk or bowl.
 - Use cold ingredients for pastry unless your recipe says otherwise.

points for bread making

- important
- Never exceed the maximum capacities below - you'll overload the machine.
 - If you hear the machine labouring, switch off, remove half the dough and do each half separately.
 - The ingredients mix best if you put the liquid in first.

maximum capacities

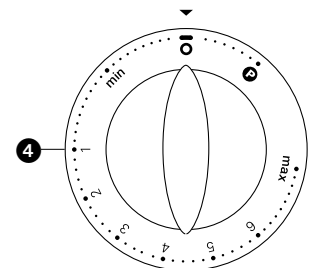
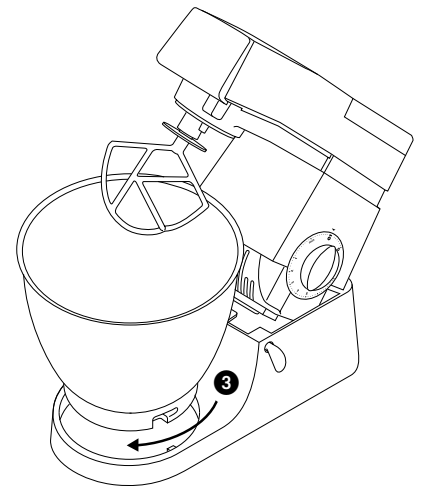
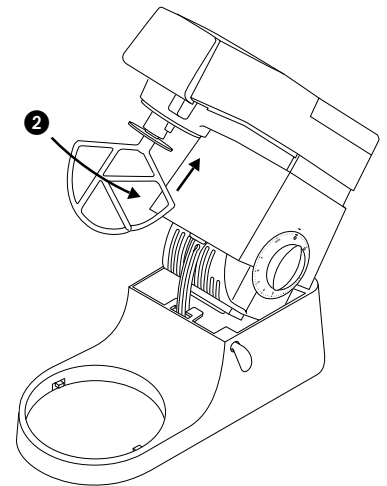
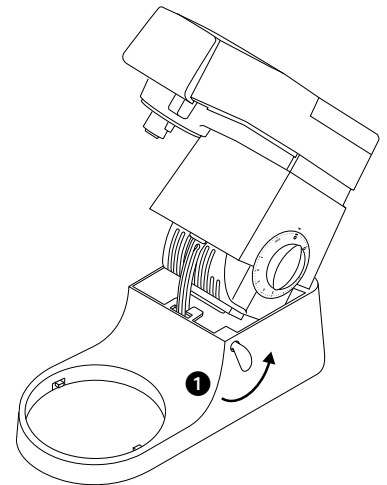
KM300, 400, 410 models

KM600, 800, 810 models

- | | | |
|--------------------------|-----------------------------------|--------------------------------|
| shortcrust pastry | • Flour weight: 680g - 1lb 8oz | Flour weight: 910g - 2lb |
| stiff yeast dough | • Flour weight: 1.36kg - 3lb | Flour weight: 1.5kg - 3lb 5oz |
| British type | • Total weight: 2.18kg - 4lb 13oz | Total weight: 2.4kg - 5lb 5oz |
| soft yeast dough | • Flour weight: 1.3kg - 2lb 14oz | Flour weight: 2.6kg - 5lb 12oz |
| continental type | • Total weight: 2.5kg - 5lb 8oz | Total weight: 5kg - 11lb |
| fruit cake mix | • Total weight: 2.72kg - 6lb | Total weight: 4.55kg - 10lb |
| egg whites | • 12 | 16 |

speeds ❹

- K-beater • **creaming fat and sugar** start on min, gradually increasing to max.
- **beating eggs into creamed mixtures** 4 - 'max'.
- **folding in flour, fruit etc** Min - 1.
- **all in one cakes** start on min speed, gradually increase to max.
- **rubbing fat into flour** min - 2.
- whisk • Gradually increase to 'max'.
- dough hook • Start on 'min', gradually increasing to 1.



for **cleaning** see page 6

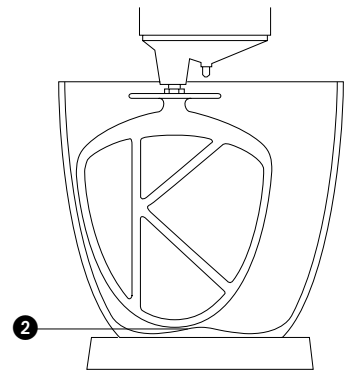
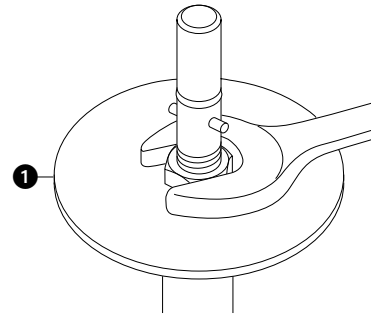
troubleshooting

problem

- The whisk or K-beater knocks against the bottom of the bowl or isn't reaching the ingredients in the bottom of the bowl.

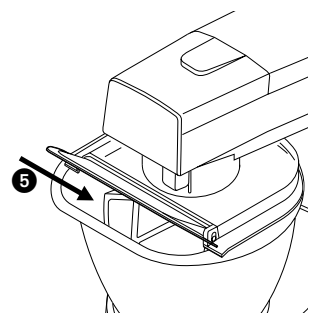
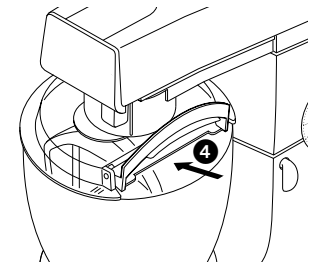
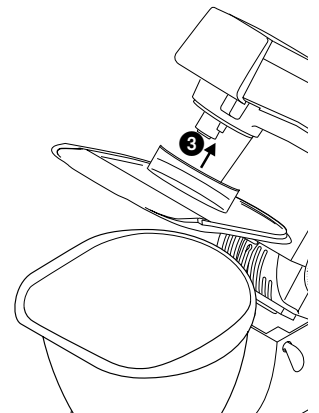
solution • Adjust the height. Here's how:

- 1 Unplug.
- 2 Raise the mixer head and insert the whisk or beater.
- 3 Hold it, then loosen the nut ❶
- 4 Lower the mixer head.
- 5 Adjust the height by turning the shaft. Ideally the whisk/K-beater should be **almost** touching the bottom of the bowl ❷
- 6 Raise the head, hold the whisk/K-beater and tighten the nut.



to fit and use your round/D-shaped splashguard (if supplied)

- 1 Raise the mixer head until it locks.
 - 2 Fit the bowl onto the base.
 - 3 Push the splashguard on until fully located ❸. The hinged section should be positioned as shown round ❹ and D-shaped ❺
 - 4 Insert required tool.
 - 5 Lower the mixer head ensuring the splashguard follows the shape of the bowl.
- During mixing, ingredients can be added directly to the bowl via the hinged section of the splashguard.
 - You do not need to remove the splashguard to change tools.
- 6 Remove the splashguard by raising the mixer head and sliding it down.

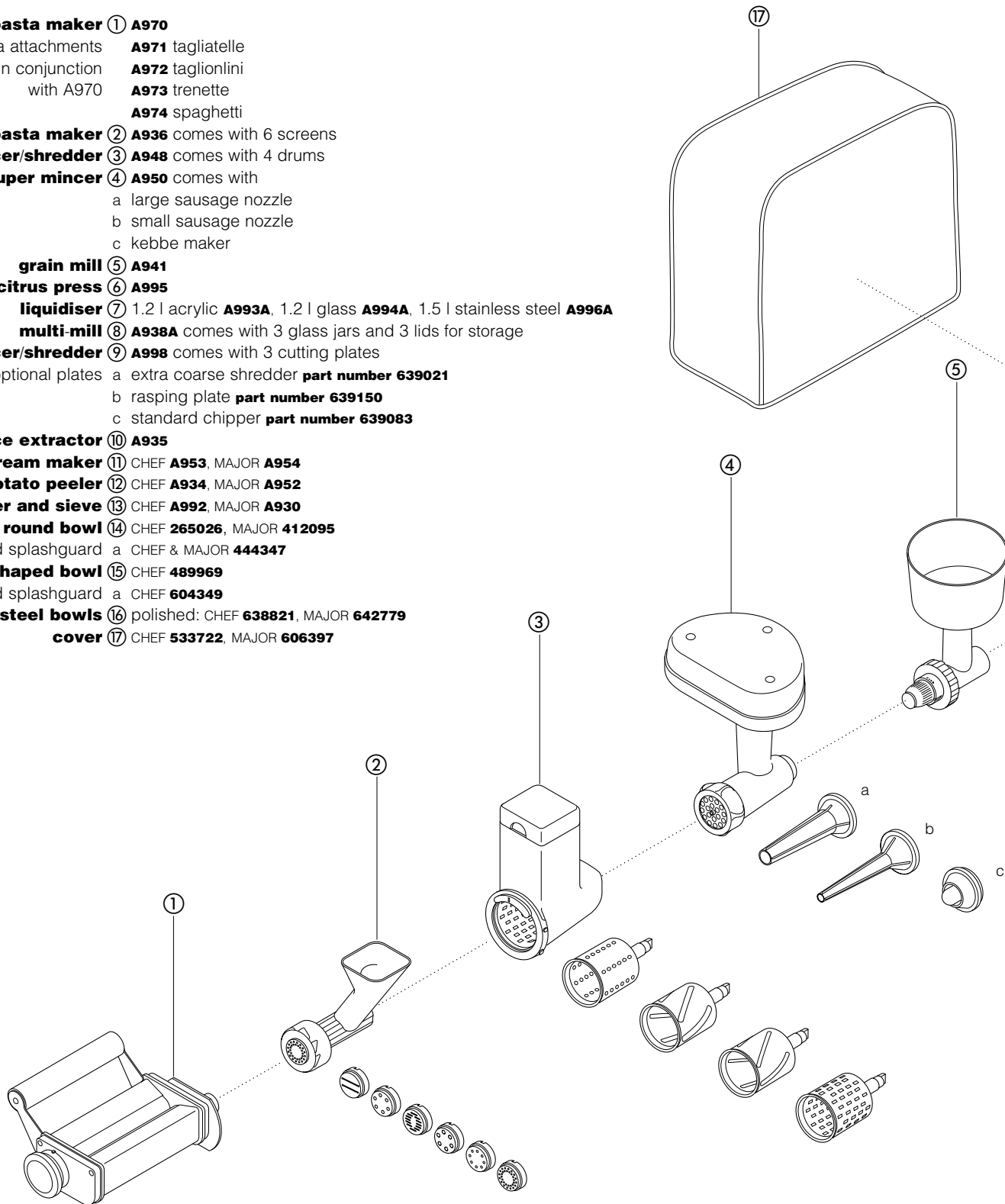


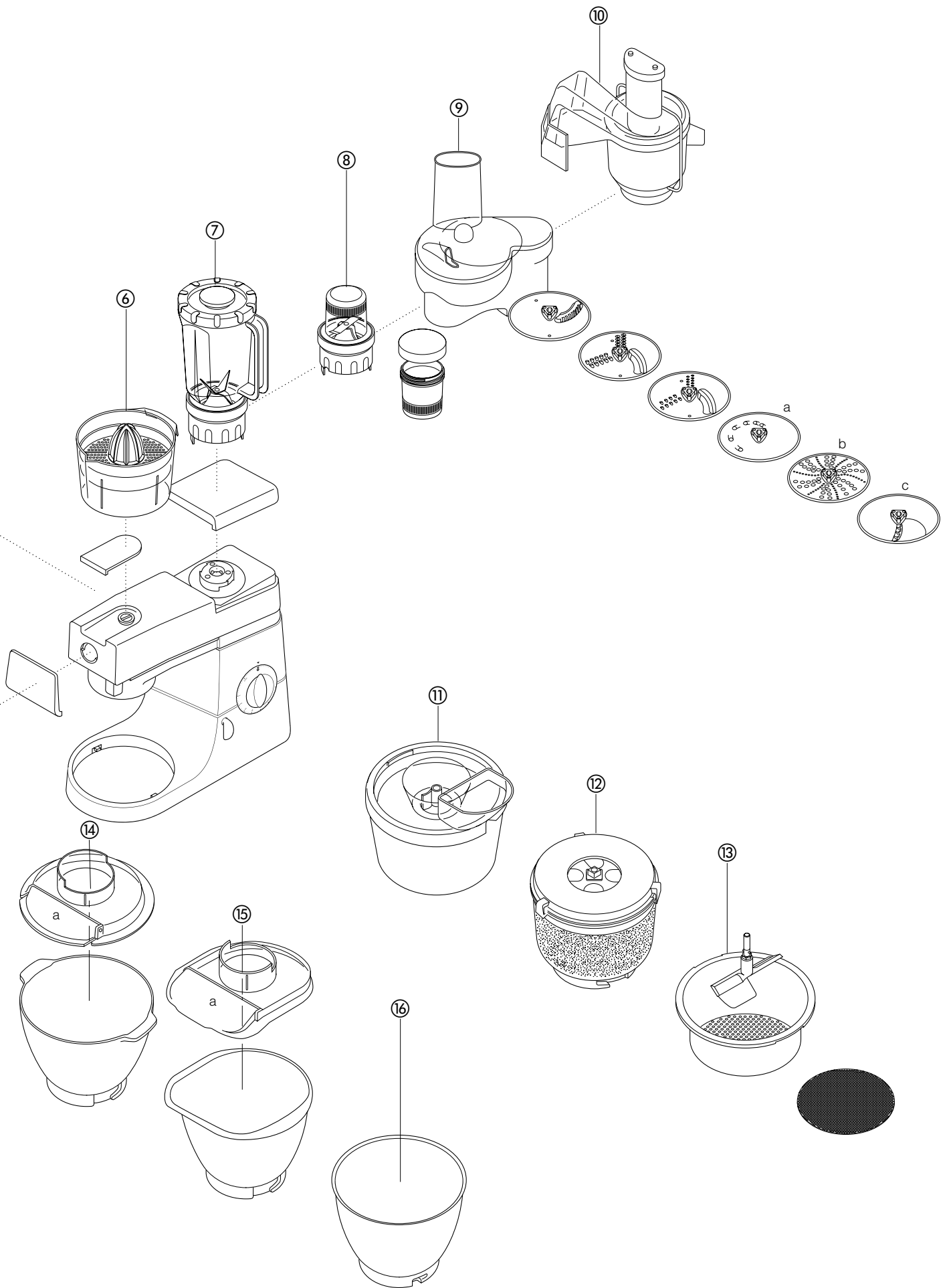
the **attachments** available

To buy an attachment not included in your pack, call your KENWOOD repairer.

attachment attachment code

- flat pasta maker** ① **A970**
- additional pasta attachments (not shown) used in conjunction with A970
 - A971** tagliatelle
 - A972** taglionini
 - A973** trenette
 - A974** spaghetti
- pasta maker** ② **A936** comes with 6 screens
- slow speed slicer/shredder** ③ **A948** comes with 4 drums
- super mincer** ④ **A950** comes with
 - a large sausage nozzle
 - b small sausage nozzle
 - c kebbe maker
- grain mill** ⑤ **A941**
- citrus press** ⑥ **A995**
- liquidiser** ⑦ 1.2 l acrylic **A993A**, 1.2 l glass **A994A**, 1.5 l stainless steel **A996A**
- multi-mill** ⑧ **A938A** comes with 3 glass jars and 3 lids for storage
- high speed slicer/shredder** ⑨ **A998** comes with 3 cutting plates
 - optional plates a extra coarse shredder **part number 639021**
 - b rasping plate **part number 639150**
 - c standard chipper **part number 639083**
- continuous juice extractor** ⑩ **A935**
- ice-cream maker** ⑪ CHEF **A953**, MAJOR **A954**
- potato peeler** ⑫ CHEF **A934**, MAJOR **A952**
- colander and sieve** ⑬ CHEF **A992**, MAJOR **A930**
- kenlyte round bowl** ⑭ CHEF **265026**, MAJOR **412095**
 - round splashguard a CHEF & MAJOR **444347**
- kenlyte D-shaped bowl** ⑮ CHEF **489969**
 - D-shaped splashguard a CHEF **604349**
- stainless steel bowls** ⑯ polished: CHEF **638821**, MAJOR **642779**
- cover** ⑰ CHEF **533722**, MAJOR **606397**





cleaning and service

care and cleaning

- Always switch off and unplug before cleaning.
- A little grease may appear at **outlets 2** and **3** when you first use them. This is normal - just wipe it off.

- power unit
 - Wipe with a damp cloth, then dry.
 - Never use abrasives or immerse in water.
- bowls
 - Wash by hand, then dry thoroughly.
 - If you have a stainless steel bowl, never use a wire brush, steel wool or bleach. Use vinegar to remove limescale. The stainless steel bowl may also be washed in the dishwasher.
 - Keep away from heat (cooker tops, ovens, microwaves).
- tools
 - Wash by hand, then dry thoroughly.
 - Discolouration of the K beater, whisk and dough hook may occur if placed within a dishwasher.
- splashguard
 - Wash by hand, then dry thoroughly.

service and customer care

- If the cord is damaged it must, for safety reasons, be replaced by KENWOOD or an authorised KENWOOD repairer.

UK If you need help with:

- using your machine
 - servicing or repairs (in or out of guarantee)
- ☎ call KENWOOD on **023 92392333** and ask for Customer Care.

Have your model number ready - it's on the underside of the mixer.
Alternatively, contact your authorised KENWOOD repairer:
look in Yellow Pages under 'Electrical appliance repairs'.

Eire

- See our advertisement in Golden Pages.

other countries

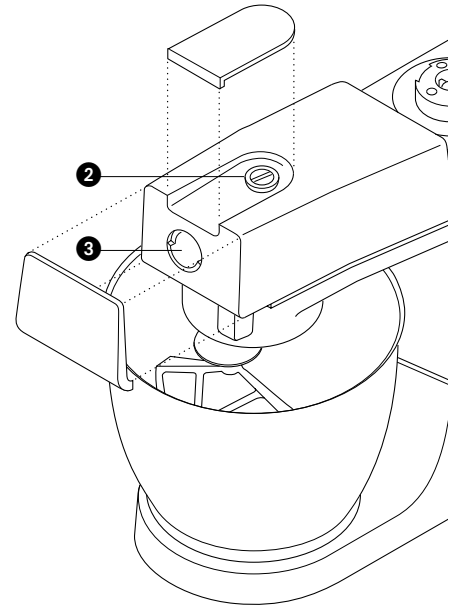
- Contact the shop where you bought your machine.

guarantee UK only

If your machine goes wrong within one year from the date you bought it, we will repair or replace it free of charge provided:

- you have not misused, neglected or damaged it;
- it has not been modified;
- it is not second-hand;
- it has not been used commercially;
- you have not fitted a plug incorrectly; and
- **you supply your receipt to show when you bought it.**

This guarantee does not affect your statutory rights.



recipes

See important points for bread making on page 2.

white bread *stiff British-type dough*

- ingredients
- 1.36kg (3lb) strong plain flour
 - 15ml (3tsp) salt
 - 25g (1oz) fresh yeast; or 15g/20ml (½oz) dried yeast + 5ml (1tsp) sugar
 - 750ml (1¼pts) warm water: 43°C (110°F). Use a thermometer or add 250ml (9fl oz) boiling water to 500ml (18fl oz) cold water
 - 25g (1oz) lard
- method
- 1 **dried yeast** (the type that needs reconstituting): pour the warm water into the bowl. Then add the yeast and the sugar and leave to stand for about 10 minutes until frothy.
fresh yeast: crumble into the flour.
other types of yeast: follow the manufacturer's instructions.
 - 2 Pour the liquid into the bowl. Then add the flour (with fresh yeast if used), salt and lard.
 - 3 Knead at minimum speed for 45 - 60 seconds. Then increase to speed 1, adding more flour if necessary, until a dough has formed.
 - 4 Knead for 3 - 4 more minutes at speed 1 until the dough is smooth, elastic and leaves the sides of the bowl clean.
 - 5 Put the dough into a greased polythene bag or a bowl covered with a tea towel. Then leave somewhere warm until doubled in size.
 - 6 Re-knead for 2 minutes at speed 1.
 - 7 Half fill four 450g (1lb) greased tins with the dough, or shape it into rolls. Then cover with a tea towel and leave somewhere warm until doubled in size.
 - 8 Bake at 230°C/450°F/Gas Mark 8 for 30 - 35 minutes *for loaves* or 10 - 15 minutes *for rolls*.
 - When ready, the bread should sound hollow when tapped on the base.

white bread *soft continental-type dough*

- ingredients**
- 2.6kg (5lb 12oz) ordinary plain flour
 - 1.3 litre (2¼pts) milk
 - 300g (10oz) sugar
 - 450g (1lb) margarine
 - 100g (4oz) fresh yeast or 50g (2oz) dried yeast
 - 6 eggs, beaten
 - 5 pinches salt
- method
- 1 Melt the margarine in the milk and bring to 43°C (110°F).
 - 2 **dried yeast** (the type that needs reconstituting): add the yeast and sugar to the milk and leave to stand for about 10 minutes until frothy.
fresh yeast: crumble into the flour and add the sugar.
other types of yeast: follow the manufacturer's instructions.
 - 3 Pour the milk into the bowl. Add the beaten eggs and 2kg (4lb 6oz) flour.
 - 4 Mix at minimum speed for 1 minute, then at speed 1 for a further minute. Scrape down.
 - 5 Add the remaining flour and mix at minimum speed for 1 minute, then at speed 1 for 2 - 3 minutes until smooth and evenly mixed.
 - 6 Half fill some 450g (1lb) greased tins with the dough, or shape it into rolls. Then cover with a tea towel and leave somewhere warm until doubled in size.
 - 7 Bake at 200°C/400°F/Gas Mark 6 for 20 - 25 minutes *for loaves* or 15 minutes *for rolls*.
 - 8 When ready, the bread should sound hollow when tapped on the base.
 - Makes about 10 loaves.

recipes *continued*

strawberry and apricot gâteau

- ingredients: sponge
- 3 eggs
 - 75g (3oz) caster sugar
 - 75g (3oz) plain flour
- filling and decoration
- 150ml (¼pt) double cream
 - Sugar to taste
 - 225g (8oz) strawberries
 - 225g (8oz) apricots
- method
- 1 Halve the apricots and remove the stones. Cook gently in very little water, adding sugar to taste, until soft.
 - 2 Wash and halve the strawberries.
 - 3 To make the sponge, whisk the eggs and sugar at maximum speed until very pale and thick.
 - 4 Remove the bowl and the whisk. Fold in the flour by hand using a large metal spoon - do this carefully to keep the sponge light.
 - 5 Put the mixture into two 18cm (7") greased and lined sandwich tins.
 - 6 Bake at 180°C/350°F/Gas Mark 4 for about 20 minutes until the cake springs back when lightly touched.
 - 7 Turn out onto a wire rack.
 - 8 Whisk the cream at maximum speed until stiff. Add sugar to taste.
 - 9 Roughly chop the apricots and a third of the strawberries. Fold them into half the cream.
 - 10 Spread this over one of the sponges, then put the other sponge on top.
 - 11 Spread the remaining cream on top and decorate with the remaining strawberries.

meringues

- ingredients
- 4 egg whites
 - 250g (9oz) icing sugar, sieved
- method
- 1 Line your baking tray with non-stick baking parchment.
 - 2 Whisk the egg whites and sugar at maximum speed for about 10 minutes until it stands in peaks.
 - 3 Spoon the mixture onto the baking tray (or use a piping bag with a 2.5cm (1") star nozzle).
 - 4 Bake at 110°C/225°F/Gas Mark ¼ for about 4 - 5 hours until firm and crisp. If they start to brown, leave the oven door slightly ajar.
- Store meringues in an airtight tin.

shortcrust pastry

- ingredients
- 450g (1lb) flour, sieved with the salt
 - 5ml (1tsp) salt
 - 225g (8oz) fat (mix lard and margarine straight from the fridge)
 - About 80ml (4tbsp) water
- hint
- Don't overmix
- method
- 1 Put the flour into the bowl. Chop the fat up roughly and add to the flour.
 - 2 Mix at speed 1 until it resembles breadcrumbs. Stop before it looks greasy.
 - 3 Add the water and mix at minimum speed. Stop as soon as the water is incorporated.
 - 4 Cook at around 200°C/400°F/Gas Mark 6, depending on the filling.

beefburgers

- ingredients
- 250g (9oz) prime sinewless beef
- method
- 1 Cut into 2.5cm (1") cubes.
 - 2 If you don't have a mincer, use your liquidiser and mince small amounts at a time. Use speed 2 for 15 seconds **maximum**. Clean around the blades between one batch and the next.
 - 3 Mix with seasonings such as chopped onion, mixed herbs (fresh or dried), coarse black pepper, and the juice and rind of a lemon.
 - 4 Shape into 2 beefburgers and grill on medium to high heat until thoroughly cooked.

faites connaissance avec votre robot de cuisine Kenwood

sécurité

- Éteignez et débranchez l'appareil avant d'adapter ou de retirer tout élément/accessoire, après l'utilisation et avant le nettoyage.
- Cet appareil n'est pas prévu pour être utilisé par de jeunes enfants ou des personnes infirmes sans surveillance.
- N'approchez jamais vos doigts des éléments en mouvement ou des accessoires fixés sur votre robot.
- Ne laissez jamais votre appareil sans surveillance lorsqu'il fonctionne et maintenez-le hors de portée des enfants.
- N'utilisez jamais un appareil endommagé ou en mauvais état. Faites-le vérifier et réparer. Pour cela reportez-vous à la rubrique 'service après-vente' en page 14.
- N'utilisez jamais un accessoire non adapté à cet appareil et n'utilisez pas plus d'un accessoire à la fois.
- Ne dépassez jamais les capacités maximales de charge de l'appareil telles qu'elles sont précisées en page 10.
- Ne laissez pas un enfant jouer avec cet appareil.
- Lorsque vous utilisez un accessoire, lisez attentivement les instructions sur la sécurité concernant cet accessoire.
- Cette machine est uniquement destinée à une utilisation domestique.

avant de brancher l'appareil

- Assurez-vous que le courant électrique que vous utilisez est le même que celui indiqué sous votre appareil.
- Cet appareil est conforme à la directive 89/336/CEE de la C. E.

avant d'utiliser votre appareil pour la première fois

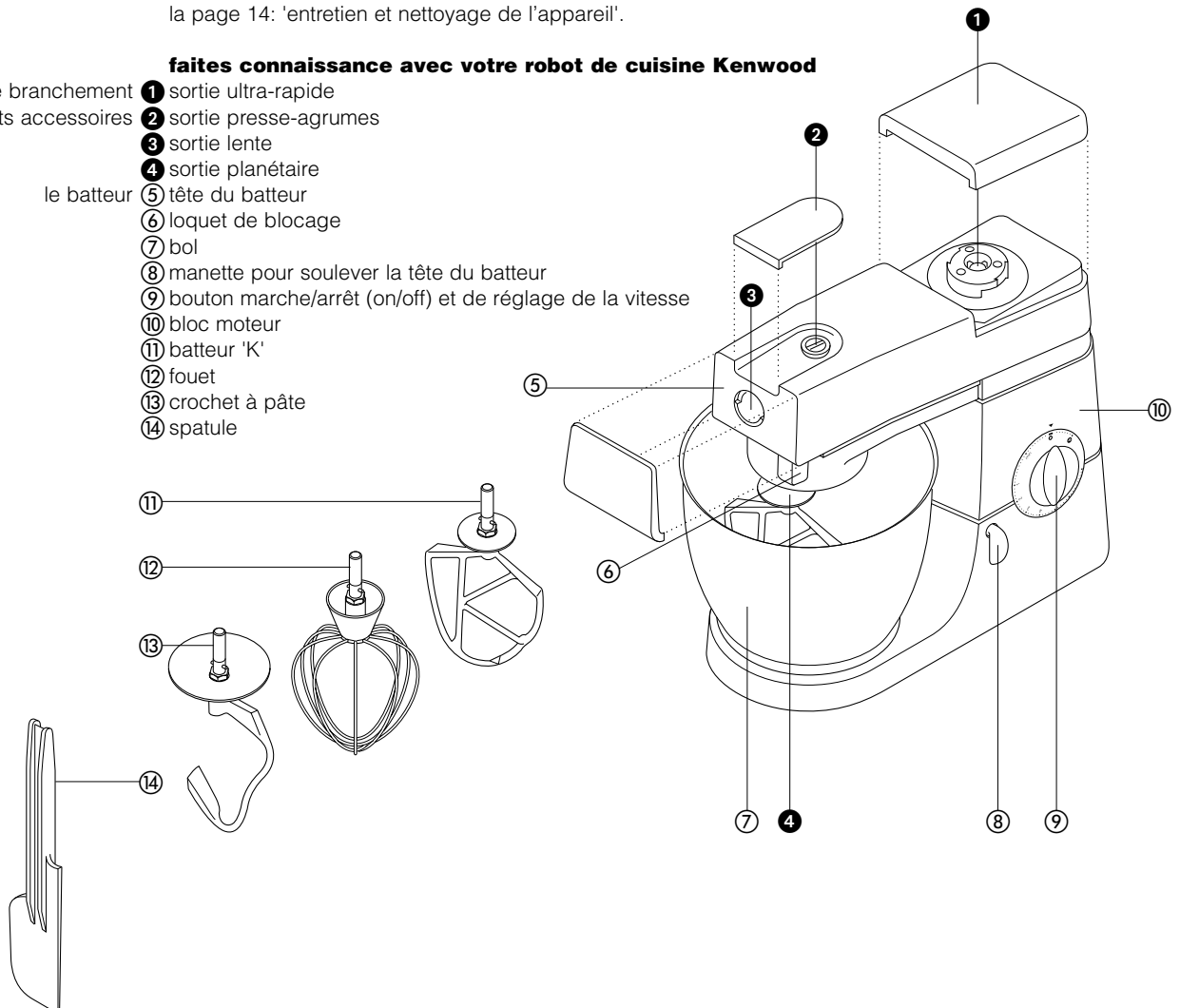
- 1 Retirez tous les emballages.
- 2 Lavez les différentes parties de l'appareil. Reportez-vous pour cela à la page 14: 'entretien et nettoyage de l'appareil'.

faites connaissance avec votre robot de cuisine Kenwood

orifices de branchement
des différents accessoires

le batteur

- 1 sortie ultra-rapide
- 2 sortie presse-agrumes
- 3 sortie lente
- 4 sortie planétaire
- 5 tête du batteur
- 6 loquet de blocage
- 7 bol
- 8 manette pour soulever la tête du batteur
- 9 bouton marche/arrêt (on/off) et de réglage de la vitesse
- 10 bloc moteur
- 11 batteur 'K'
- 12 fouet
- 13 crochet à pâte
- 14 spatule



le batteur

les accessoires du batteur et quelques uns de leurs utilisations possibles

- batteur 'K' • Pour la confection de cakes, biscuits, pâtisseries, glaçages, garnitures, éclairs et purées de pommes de terre.
- fouet • Pour les oeufs, la crème, la pâte à frire, les gâteaux (type gâteau de Savoie) sans matière grasse, les meringues, les gâteaux au fromage, les mousses, les soufflés. N'utilisez pas le fouet pour les mélanges épais (comme par exemple pour travailler les matières grasses ou le sucre) car vous pourriez l'endommager.
- crochet à pâte • pour les mélanges à base de levure.

pour utiliser le batteur

- 1 Tournez la manette pour soulever la tête du batteur dans le sens contraire des aiguilles d'une montre ❶ et soulevez la tête du batteur jusqu'à ce qu'elle s'enclenche en position.
- 2 Tournez l'accessoire jusqu'à ce qu'il s'arrête ❷ puis pousser.
- 3 Adaptez le bol sur la base - pressez vers le bas et tournez dans le sens des aiguilles d'une montre ❸
- 4 Tournez la manette pour soulever la tête du batteur dans le sens contraire des aiguilles d'une montre et abaissez la tête du batteur jusqu'à ce qu'il se verrouille en position.
- 5 Choisissez la vitesse qui convient, puis mettez votre robot en marche en tournant le bouton de réglage de la vitesse.
 - Passez en mode pulsateur **P** pour procéder par brèves impulsions.
- 6 Dévissez.

- astuces
- Éteignez l'appareil et raclez fréquemment le bol avec la spatule.
 - Pour battre les oeufs, il est conseillé d'utiliser des oeufs à température ambiante.
 - Avant de monter les blancs en neige, vérifiez qu'il n'y a pas de restes de graisse ou de jaune d'oeuf sur le fouet ou dans le bol.
 - Utilisez des ingrédients froids pour la pâte sauf indications contraires mentionnées sur votre recette.

points importants pour la fabrication du pain

- important
- Ne dépassez jamais les capacités maximales signalées ci-dessous car vous risqueriez de surcharger votre appareil.
 - Si vous entendez votre appareil forcer, éteignez l'appareil, retirez la moitié de la pâte et travaillez chaque moitié séparément.
 - Les ingrédients se mélangeront mieux si vous mettez les liquides en premier dans l'appareil.

capacités maximales

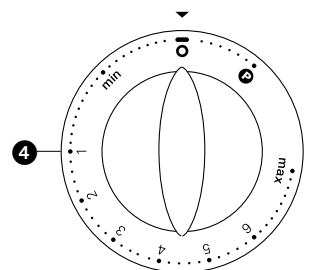
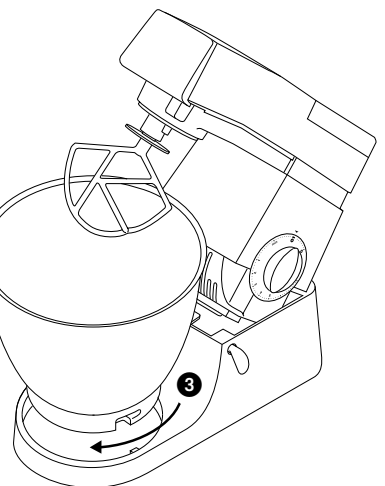
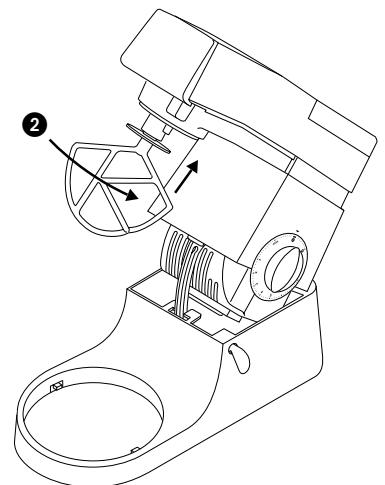
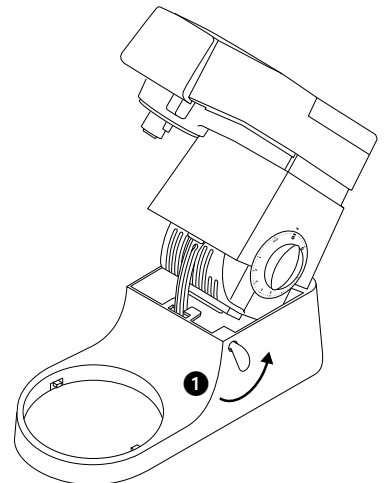
modèles KM300, 400, 410

Modèles KM600, 800, 810

- | | | |
|-------------------------------------|------------------------------|--------|
| pâte Brisée | • Quantité de farine: 680g | 910g |
| pâte ferme à base de levure | • Quantité de farine: 1,36kg | 1,5kg |
| type anglais | • Quantité de farine: 2,18kg | 2,4kg |
| pâte souple à base de levure | • Quantité de farine: 1,3kg | 2,6kg |
| type continental | • Quantité de farine: 2,5kg | 5kg |
| cake aux fruits | • Quantité de farine: 2,72kg | 4,55kg |
| blancs d'oeufs | • 12 | 16 |

vitesses ❹

- batteur "K"
- **Travailler les corps gras en crème avec le sucre** commencez sur min, augmentez progressivement jusqu'au max.
 - **Incorporer les œufs à une crème** 4 - "max".
 - **Incorporer la farine, les fruits, etc.** Min - 1.
 - **Battre tous les ingrédients d'un gâteau** simultanément commencez à vitesse min, augmentez progressivement jusqu'au max.
 - **Incorporer les corps gras à la farine** min - 2.
- fouet
- Augmentez progressivement jusqu'à 'max'.
- crochet à pâte
- Commencez sur 'min', puis augmentez graduellement jusqu'à passer sur 1.



pour le **nettoyage** de l'appareil reportez-vous à la page 14.

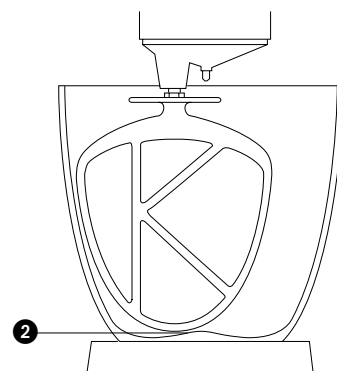
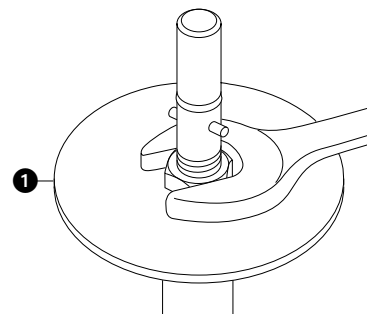
solutionner les problèmes

problème

- Le fouet ou le batteur 'K' vient heurter le fond du bol ou ne peut pas atteindre les ingrédients situés au fond du bol.

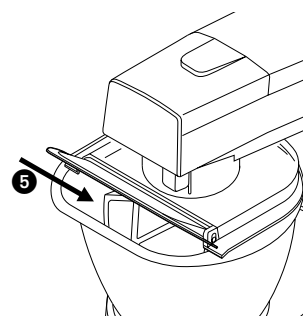
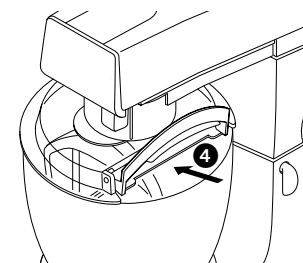
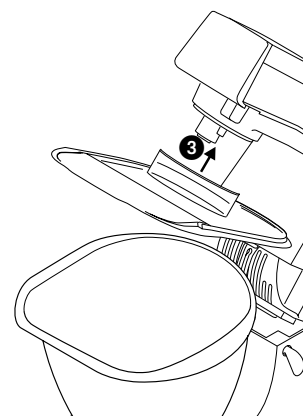
solution • Ajuster la hauteur de la manière suivante :

- 1 Débranchez l'appareil.
- 2 Levez la tête du batteur et introduisez le fouet ou batteur.
- 3 Maintenez-le, puis desserrez l'écrou. ❶
- 4 Abaissez la tête du batteur.
- 5 Réglez la hauteur en tournant l'axe. Le fouet/batteur en K est en position idéale lorsqu'il touche **presque** le fond du bol. ❷
- 6 Levez à nouveau la tête, maintenez le fouet/batteur en K et resserrez l'écrou.



installation et utilisation du couvercle de protection (s'il est fourni)

- 1 Levez la tête du batteur jusqu'en position verrouillée.
 - 2 Installez le bol sur le socle.
 - 3 Enfoncez le couvercle de protection jusqu'à mise en place complète ❸. La section articulée doit être positionnée comme indiqué : rond ❹ et en D ❺.
 - 4 Introduisez l'élément requis.
 - 5 Abaissez la tête du batteur en veillant à ce que le couvercle de protection suive la forme du bol.
- Durant le mélange, les ingrédients peuvent être ajoutés directement dans le bol par la section articulée du couvercle de protection.
 - Il n'est pas nécessaire de retirer le couvercle pour changer les éléments.
- 6 Pour retirer le couvercle, levez la tête du batteur et glissez-le vers le bas.

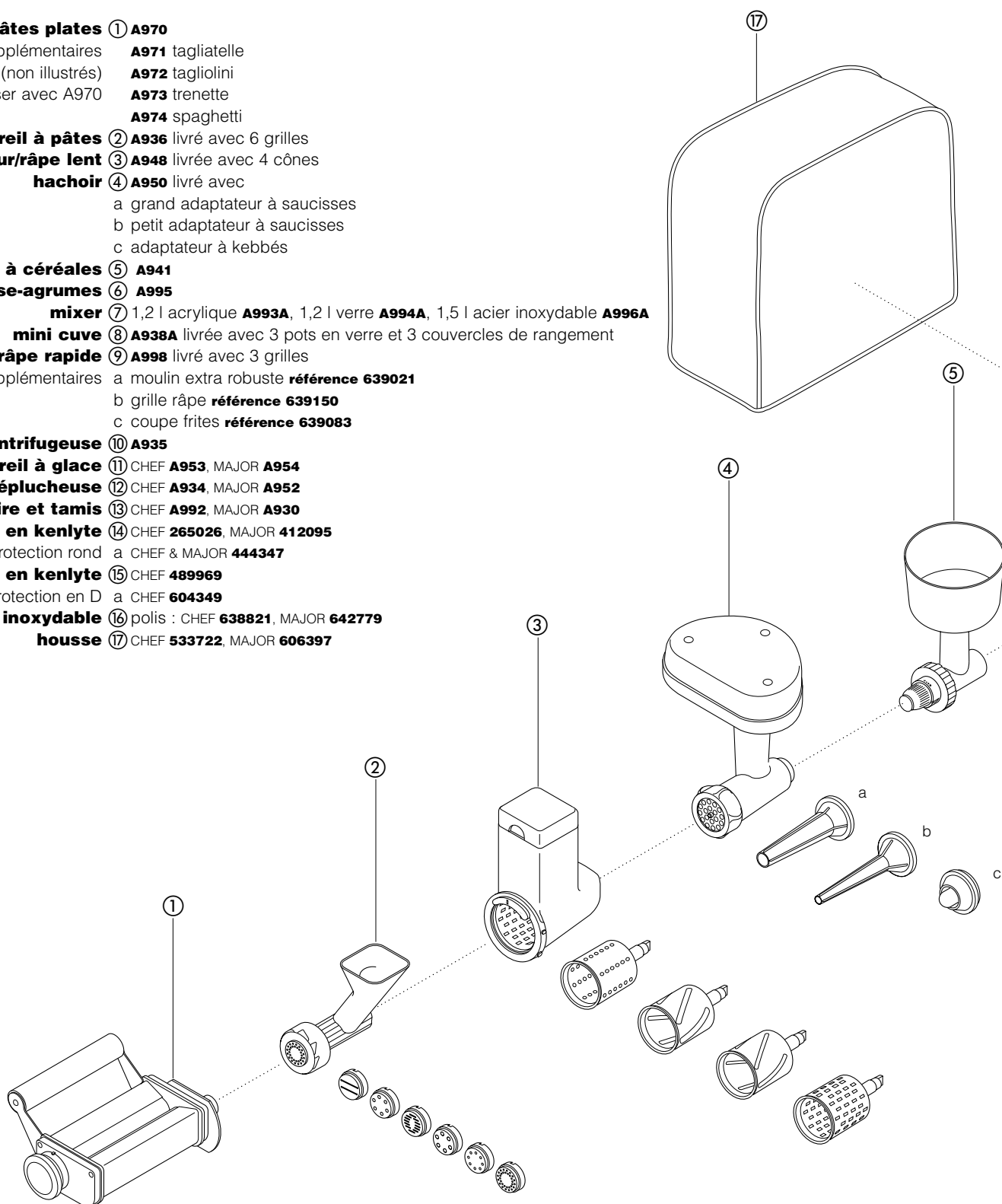


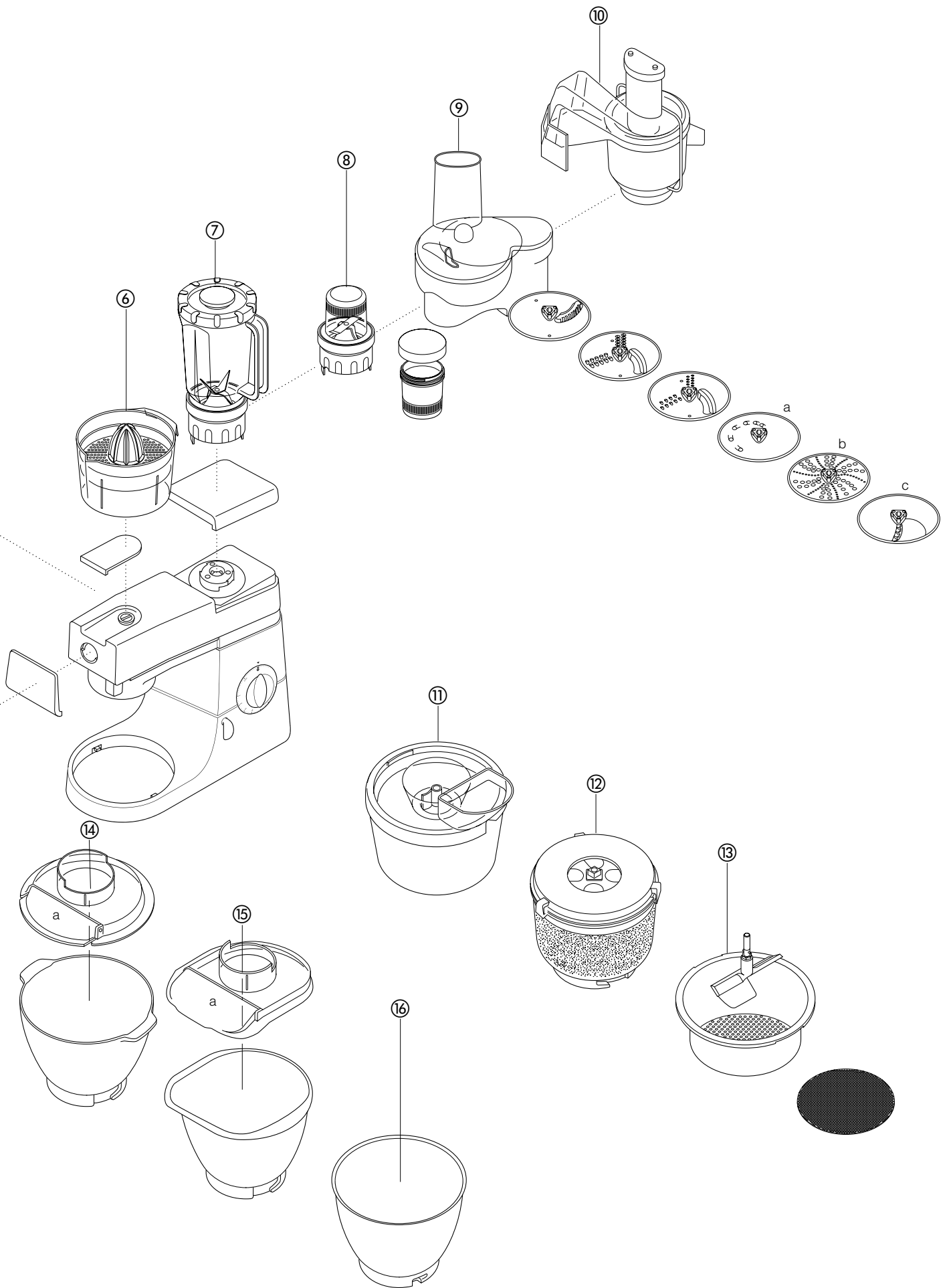
les **accessoires** disponibles

Si vous souhaitez acheter un accessoire qui n'a pas été livré avec votre appareil, contactez votre spécialiste conseil KENWOOD.

accessoire code accessoire

- appareil à pâtes plates** ① **A970**
 accessoires supplémentaires **A971** tagliatelle
 pour pâtes (non illustrés) **A972** tagliolini
 à utiliser avec A970 **A973** trenette
A974 spaghetti
- appareil à pâtes** ② **A936** livré avec 6 grilles
éminceur/râpe lent ③ **A948** livrée avec 4 cônes
hachoir ④ **A950** livré avec
 a grand adaptateur à saucisses
 b petit adaptateur à saucisses
 c adaptateur à kebbés
- moulin à céréales** ⑤ **A941**
presse-agrumes ⑥ **A995**
mixer ⑦ 1,2 l acrylique **A993A**, 1,2 l verre **A994A**, 1,5 l acier inoxydable **A996A**
mini cuve ⑧ **A938A** livrée avec 3 pots en verre et 3 couvercles de rangement
éminceur/râpe rapide ⑨ **A998** livré avec 3 grilles
 grilles supplémentaires a moulin extra robuste **référence 639021**
 b grille râpe **référence 639150**
 c coupe frites **référence 639083**
- centrifugeuse** ⑩ **A935**
appareil à glace ⑪ CHEF **A953**, MAJOR **A954**
éplucheuse ⑫ CHEF **A934**, MAJOR **A952**
passoire et tamis ⑬ CHEF **A992**, MAJOR **A930**
bol rond en kenlyte ⑭ CHEF **265026**, MAJOR **412095**
 couvercle de protection rond a CHEF & MAJOR **444347**
bol en D en kenlyte ⑮ CHEF **489969**
 couvercle de protection en D a CHEF **604349**
bols en acier inoxydable ⑯ polis : CHEF **638821**, MAJOR **642779**
housse ⑰ CHEF **533722**, MAJOR **606397**



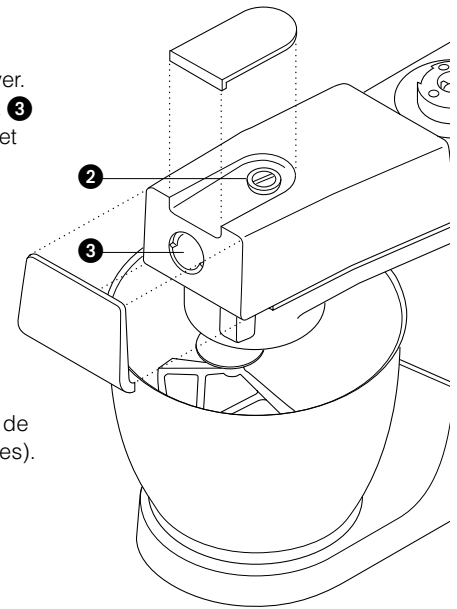


nettoyage de l'appareil et service après-vente

entretien et nettoyage

- Eteignez toujours votre appareil et débranchez-le avant de le nettoyer.
- De petites traces de gras peuvent apparaître sur les **orifices 2** et **3** lorsque vous les utilisez la première fois. Ceci est tout à fait normal et vous devez simplement les essuyer.

- bloc moteur
- Essuyez avec un chiffon humide, puis séchez.
 - N'utilisez jamais d'abrasifs et n'immergez jamais dans l'eau.
- bols
- Lavez-les à la main puis séchez soigneusement.
 - Si vous disposez d'un bol en acier inoxydable, n'utilisez jamais de brosse en acier, de paille de fer ou de détergent. Utilisez simplement du vinaigre pour enlever le tartre. Les bols en acier inoxydable sont aussi lavable au lave-vaisselle.
 - Tenez votre ou vos robots de cuisine toujours éloignés des sources de chaleurs (plaques de cuisson, fours traditionnels, fours à micro-ondes).
- accessoires
- Lavez à la main, puis séchez soigneusement.
 - Une décoloration du batteur en K, du fouet et du crochet à pâte est susceptible de se produire s'ils sont passés au lave-vaisselle.
- couvercle de protection
- Lavez à la main, puis séchez soigneusement.



service après-vente et assistance clientèle

- Si le cordon souple de votre robot est endommagé, il faut impérativement, pour des raisons de sécurité, que celui-ci soit remplacé par un réparateur agréé KENWOOD ou par KENWOOD.

Si vous avez besoin d'assistance pour:

- utiliser votre appareil
 - commander un autre accessoire
 - faire réparer ou entretenir votre appareil:
- Contactez le magasin où vous avez acheté votre appareil.

recettes

Pour connaître les points importants de la fabrication du pain, veuillez vous reporter à la page 10.

pain blanc *pâte souple type continental*

ingrédients
Ces quantités s'appliquent aux modèles KM600, 800. Pour les modèles KM300, 400 et 410, 420, réduire les quantités de moitié et ajoutez la farine en une fois.

- 2,6kg de farine ordinaire
- 1,3 litre de lait
- 300g de sucre
- 450g de margarine
- 100g de levure fraîche ou 50g de levure sèche
- 6 oeufs, préalablement battus
- 5 pincées de sel

méthode

- 1 Faites dissoudre la margarine dans le lait et portez la température à 43°C.
- 2 **levure sèche** (à reconstituer) : Ajoutez la levure et le sucre au lait et laissez reposer pendant environ 10 minutes jusqu'à ce que le mélange obtenu soit mousseux.
levure fraîche: incorporez à la farine en émiettant et ajoutez le sucre.
autres types de levure : reportez-vous aux instructions du fabricant.
- 3 Versez le lait dans le bol, ajoutez-y les oeufs battus et 2kg de farine.
- 4 Mélangez à la vitesse minimale pendant 1 minute puis à la vitesse 1 pendant une minute supplémentaire.
- 5 Ajoutez le reste de la farine et le sel et mélangez le tout à la vitesse minimale pendant une minute, puis à la vitesse 1 pendant 2 - 3 minutes jusqu'à ce que le mélange soit homogène et bien mélangé.
- 6 Remplissez à moitié plusieurs moules de 450g avec la pâte. (Ces moules doivent être préalablement beurrés) ou bien réalisez des petits pains avec la pâte. Couvrez ensuite avec un torchon de cuisine et laissez reposer dans un endroit chaud jusqu'à ce que la pâte ait doublé de volume.
- 7 Faites cuire à 200°C/Thermostat 6 pendant 20 - 25 minutes pour les *miches de pain* et 15 minutes pour les *petits pains*.
- 8 Lorsque le pain est cuit, il doit sonner creux lorsqu'on le tapote sur la base.

- Permet de réaliser environ 10 miches de pain.

gâteau aux fraises et aux abricots

ingrédients: type gâteau de Savoie

- 3 oeufs
- 75g de sucre en poudre
- 75g de farine
- 150ml de crème fraîche épaisse
- Sucre à volonté
- 225g de fraises
- 225g d'abricots

garniture et décoration

méthode

- 1 Coupez les abricots en deux et retirez les noyaux. Faites cuire à petit feu dans très peu d'eau, en ajoutant du sucre selon votre goût, jusqu'à ce que le mélange devienne moelleux.
- 2 Lavez et coupez les fraises en deux.
- 3 Pour réaliser la génoise du gâteau, fouettez les oeufs et le sucre à la vitesse maximum jusqu'à ce que le mélange soit de couleur pâle et de consistance épaisse.
- 4 Retirez le bol et le fouet. Incorporez la farine à la main à l'aide d'une grande cuillère métallique – effectuez cette opération avec soin afin de préserver la légèreté de la génoise.
- 5 Mettez le mélange ainsi obtenu dans deux moules à manqué de 18cm préalablement beurrés.
- 6 Faites cuire à 180°C/Thermostat 4 pendant environ 20 minutes jusqu'à ce que le gâteau soit de consistance ferme et élastique lorsque vous le touchez légèrement.
- 7 Démoulez le gâteau et laissez-le refroidir sur une grille de cuisson.
- 8 Fouettez la crème à la vitesse maximale jusqu'à ce qu'elle prenne une consistance ferme. Ajoutez le sucre selon votre goût.
- 9 Hachez grossièrement les abricots et un tiers des fraises, puis incorporez-les lentement dans la moitié de la quantité de crème.
- 10 Étalez cette préparation entre les deux biscuits.
- 11 Recouvrez le dessus du gâteau avec la crème restante et décorez avec les fraises restantes.

recettes *suite*

meringues

- ingrédients
- 4 blancs d'oeufs
 - 250g de sucre glace, tamisé
- méthode
- 1 Recouvrez votre grille de cuisson avec du papier de cuisson non-collant.
 - 2 Battez les blancs d'oeufs et le sucre à la vitesse maximum pendant environ 10 minutes jusqu'à ce que le mélange fasse des petits pics à la surface lorsque vous en retirez le fouet.
 - 3 Déposez le mélange ainsi obtenu sur la plaque de cuisson (ou utilisez un sac à douille en étoile de 2,5cm).
 - 4 Faites cuire à 110°C/Thermostat ¼ pendant environ 4 - 5 heures jusqu'à ce que les meringues soient fermes et croustillantes.
Si les meringues commencent à brunir, laissez la porte du four légèrement entrouverte.
- Conservez les meringues dans une boîte hermétique.

pâte brisée

- ingrédients
- 450g de farine tamisée avec du sel
 - 5ml de sel
 - 225g de matière grasse (mélange de lard et de margarine directement sortis du réfrigérateur)
 - Environ 80ml d'eau (soit l'équivalent de 4 cuillères à soupe)
- astuce
- Ne mélangez pas pendant trop longtemps.
- méthode
- 1 Mettez la farine dans le bol. Découpez la matière grasse que vous utilisez en morceaux grossiers et ajoutez à la farine.
 - 2 Mélangez à vitesse 1 jusqu'à obtenir l'apparence de miettes de pain. Arrêtez avant d'obtenir une apparence grasse.
 - 3 Ajoutez l'eau et mélangez à la vitesse minimale. Arrêtez dès que l'eau est bien incorporée au mélange.
 - 4 Faites cuire à environ 200°C/Thermostat 6, selon la garniture.

beefburgers

- ingrédients
- 250g de boeuf de premier choix non tendineux
- méthode
- 1 Coupez en petits cubes de 2,5cm.
 - 2 Si vous ne disposez pas d'un hachoir, utilisez votre mixeur en ne broyant que de petites quantités à la fois. Utilisez la vitesse 2 pendant 15 secondes **maximum**. Nettoyez les lames entre deux séries d'aliments.
 - 3 Mélangez avec l'assaisonnement comme les oignons hachés, le mélange d'herbes (fraîches ou sèches), le poivre noir grossièrement moulu et le jus et le zeste d'un citron.
 - 4 Réalisez deux beefburgers et faites griller sur chaleur moyenne à forte jusqu'à ce que les beefburgers soient bien cuits.

conozca su aparato de cocina Kenwood

seguridad

- Apague y desenchufe el aparato antes de colocar o quitar piezas/accesorios, después de usarlo y antes de limpiarlo.
- Este aparato no está destinado a ser usado por niños pequeños o personas discapacitadas sin supervisión.
- Mantenga los dedos lejos de las partes móviles y de los accesorios fijos.
- Nunca deje el aparato desatendido mientras esté funcionando y mantenga a los niños fuera del alcance.
- Nunca utilice un aparato dañado. Que lo revisen o arreglen: vea 'servicio' en la página 22.
- Nunca utilice un accesorio no autorizado o más de un accesorio al mismo tiempo.
- Nunca exceda las capacidades máximas indicadas en la página 18.
- No permita a los niños jugar con el aparato.
- Cuando vaya a utilizar un accesorio, lea las instrucciones de seguridad adjuntas.
- Este aparato es únicamente para uso doméstico.

antes de enchufarlo

- Asegúrese de que la corriente eléctrica es la misma que se muestra en la parte inferior de su aparato.
- Este aparato cumple con la Directiva de la Comunidad Económica Europea 89/336/CEE.

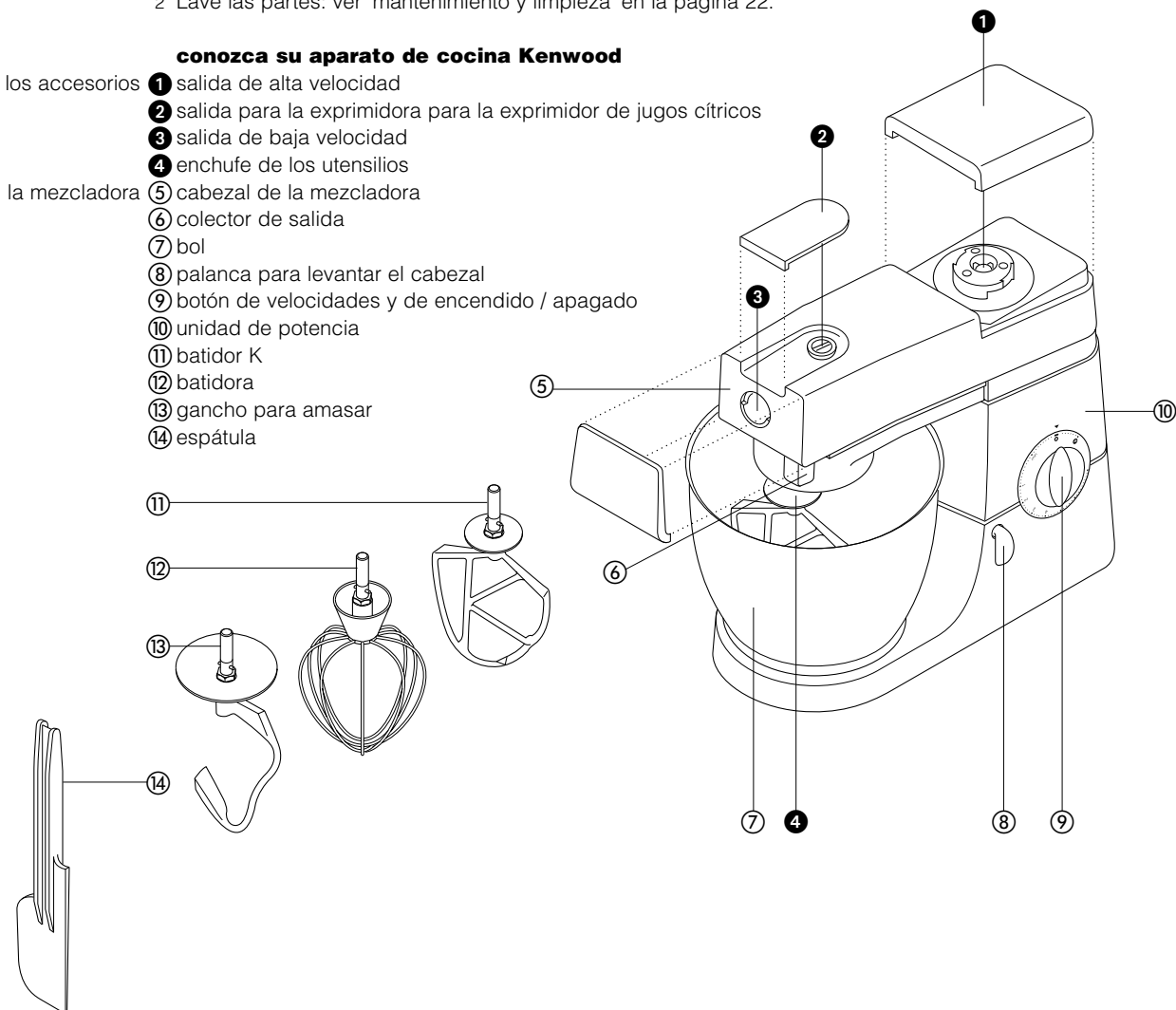
antes de usarlo por primera vez

- 1 Retire todo el embalaje.
- 2 Lave las partes: ver 'mantenimiento y limpieza' en la página 22.

conozca su aparato de cocina Kenwood

salidas de los accesorios

- 1 salida de alta velocidad
 - 2 salida para la exprimidora para la exprimidor de jugos cítricos
 - 3 salida de baja velocidad
 - 4 enchufe de los utensilios
- la mezcladora
- 5 cabezal de la mezcladora
 - 6 colector de salida
 - 7 bol
 - 8 palanca para levantar el cabezal
 - 9 botón de velocidades y de encendido / apagado
 - 10 unidad de potencia
 - 11 batidor K
 - 12 batidora
 - 13 gancho para amasar
 - 14 espátula



la mezcladora

los utensilios para mezclar y algunos de sus usos

- batidor K • Para hacer tartas, galletas, pastas, garapiñar, rellenos, relámpagos de chocolate y puré de patata.
- batidora • Para batir huevos, nata, batidos, bizcochos ligeros, merengues, tartas de queso, mousses, soufflés. No la utilice para batir masas pesadas (por ej. montar grasa y azúcar) - podría dañarla.
- gancho para amasar • Para las mezclas con levadura.

para usar la mezcladora

- 1 Gire la palanca para levantar el cabezal hacia la izquierda ❶ y levante el cabezal de la mezcladora hasta que se cierre.
- 2 Gire hasta que se pare ❷, luego empuje.
- 3 Coloque el bol sobre la base - apriete y gírelo en el sentido de las agujas del reloj ❸
- 4 Gire la palanca para levantar el cabezal hacia la izquierda y baje el cabezal de la mezcladora hasta que se cierre.
- 5 Elija la velocidad, luego póngala en marcha girando el botón de la velocidad.
 - Cambie a impulso **P** para ráfagas cortas.
- 6 Desenrosque.

Para quitar un utensilio

- Consejos
- Apáguela y rasque el bol con la espátula con regularidad.
 - Se baten mejor los huevos a temperatura ambiente.
 - Antes de batir claras de huevo, asegúrese de que no haya grasa o yema de huevo en la batidora de varillas o en el bol.
 - Utilice ingredientes fríos para las pastas a no ser que su receta indique lo contrario.

puntos para hacer pan

- importante
- Nunca exceda la capacidad máxima que se indica abajo-sobrecargará el aparato.
 - Si le parece que el aparato funciona con dificultad, apáguelo, saque la mitad de la masa y trátelas por separado.
 - Los ingredientes se mezclan mejor si pone primero el líquido.

capacidad máxima

Modelos KM300, 400, 410

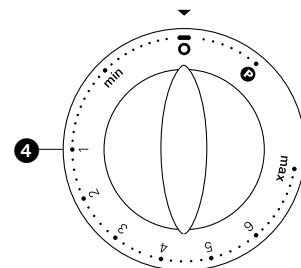
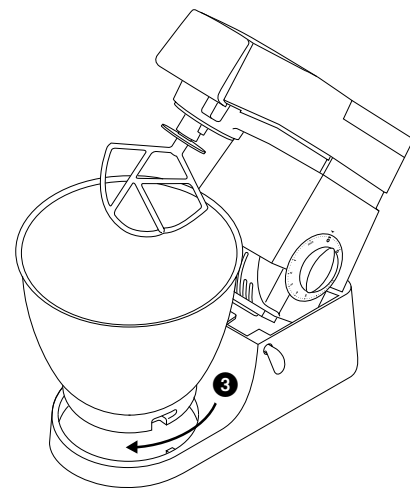
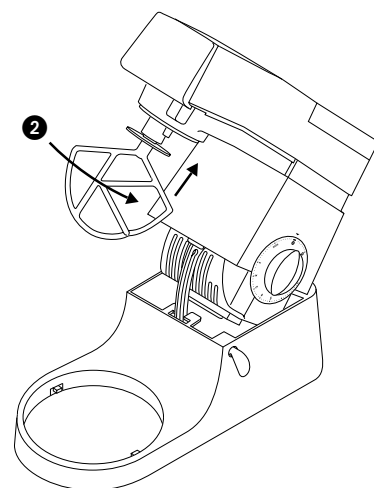
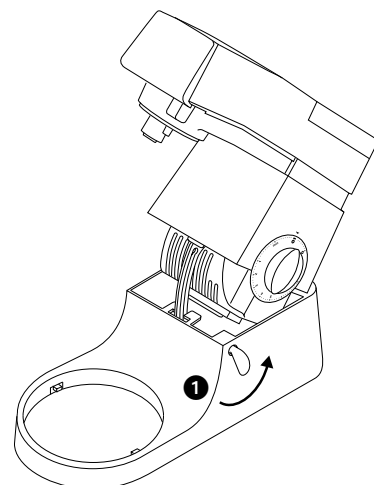
Modelos KM600, 800, 810

- pasta quebradiza** • Peso de la harina: 680g
- masa con levadura espesa** • Peso de la harina: 1,36kg
- tipo británico • Peso total: 2,18kg
- masa con levadura ligera** • Peso de la harina: 1,3kg
- tipo continental • Peso total: 2,5kg
- mezcla para pastel de frutas** • Peso total: 2,72kg
- claras de huevos** • 12

- Peso de la harina: 910g
- Peso de la harina: 1,5kg
- Peso total: 2,4kg
- Peso de la harina: 2,6kg
- Peso total: 5kg
- Peso total: 4,55kg
- 16

velocidades ❹

- batidor K • **batir manteca y azúcar** empiece con min y aumente gradualmente hasta max.
- **batir huevos en mezclas cremosas** 4 – “max”.
- **mezclar harina, frutas, etc.** Min – 1.
- **mezclar a la vez todos los ingredientes de un pastel** empiece con velocidad min y aumente gradualmente hasta max.
- **ligar manteca y harina** min. – 2
- batidora • Aumentar gradualmente hasta ‘max’.
- gancho para amasar • Empezar en ‘min’ y aumentar gradualmente hasta 1.



para **limpieza** vea la página 22

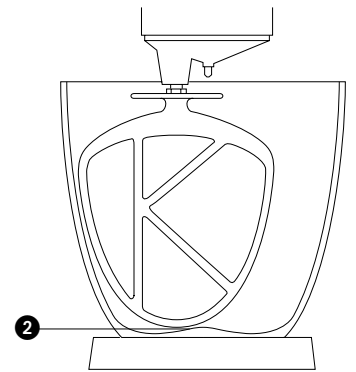
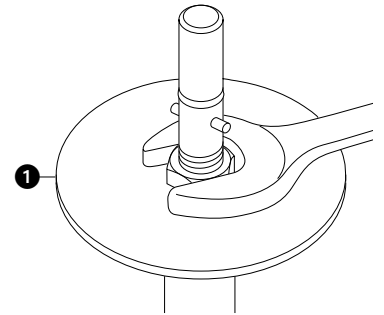
posibles problemas

problema

- La batidora o el batidor K golpean la parte inferior del bol o no llegan a los ingredientes del fondo del bol.

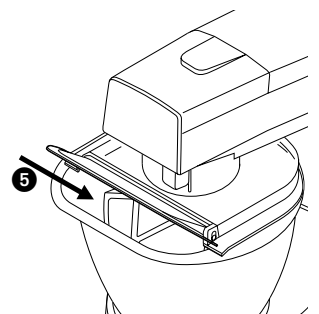
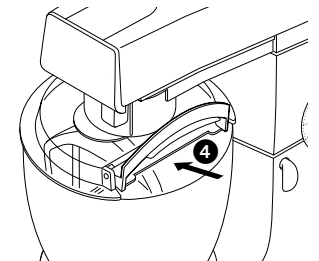
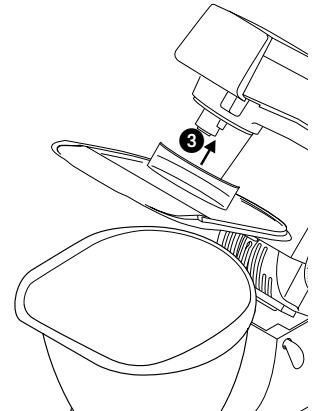
solución • Ajuste la altura del modo siguiente:

- 1 Desconéctela de la red.
- 2 Levante el cabezal de la mezcladora e introduzca el batidor de varillas o el batidor K.
- 3 Sujetando el batidor, afloje la tuerca ❶.
- 4 Baje el cabezal.
- 5 Ajuste la altura girando el eje. Para unos resultados óptimos, coloque el batidor de modo que **casi** toque el fondo del bol ❷.
- 6 Levante el cabezal, sujete el batidor y apriete la tuerca.



para acoplar y utilizar la tapa antisalpicaduras redonda/en forma de D (si se incluye)

- 1 Levante el cabezal de la mezcladora hasta que quede bloqueado.
 - 2 Coloque el bol en la base.
 - 3 Coloque bien la tapa antisalpicaduras presionándola ❸. La parte articulada debe quedar situada según se muestra ❹ (redonda) y ❺ (en forma de D).
 - 4 Introduzca el accesorio pertinente.
 - 5 Baje el cabezal asegurándose de que la tapa antisalpicaduras encaja en la forma del bol.
- Mientras se mezcla, se pueden añadir ingredientes directamente al bol por la parte articulada de la tapa antisalpicaduras.
 - Para cambiar de accesorio no es preciso quitar la tapa.
- 6 Retire la tapa antisalpicaduras levantando el cabezal y deslizándola hacia abajo.



los **accesorios** disponibles

Para comprar un accesorio que no esté incluido en su paquete, llame al técnico de KENWOOD.

piezas extra código de la pieza extra

para elaborar pasta plana ① A970

otras piezas para elaborar pasta (sin ilustración) para uso con A970

- A971 tagliatelle
- A972 tagliolini
- A973 trenette
- A974 spaghetti

para elaborar rebanador/troceador ② A936 con 4 moldes 6

veloci. lenta ③ A948 con 4 tambores

superpicador ④ A950 con una

- a boquilla ancha para salchichas
- b boquilla pequeña para salchichas
- c para hacer kebbe

molinillo de grano exprimidor ⑤ A941

⑥ A995

licuador ⑦ 1.2 l acrílico A993A, 1.2 l vidrio A994A, 1.5 l acero inoxidable A996A

rebanador/troceador multimolinillo ⑧ A938A con 3 recipientes de vidrio y 3 tapas para guardar

gran veloci. ⑨ A998 con 3 placas cortantes

placas optativas

- a troceador extra grueso, número de pieza 639021
- b placa de rallar, número de pieza 639150
- c para cortar patatas fritas, número de pieza 639083

extractor continuo de zumo ⑩ A935

⑪ CHEF A953, MAJOR A954

heladora ⑫ CHEF A934, MAJOR A952

pelapatatas ⑬ CHEF A992, MAJOR A930

colador y escurridor ⑭ CHEF 265026, MAJOR 412095

cuenco redondo kenlyte ⑮ CHEF 489969

antisalpicaduras redondo a CHEF & MAJOR 444347

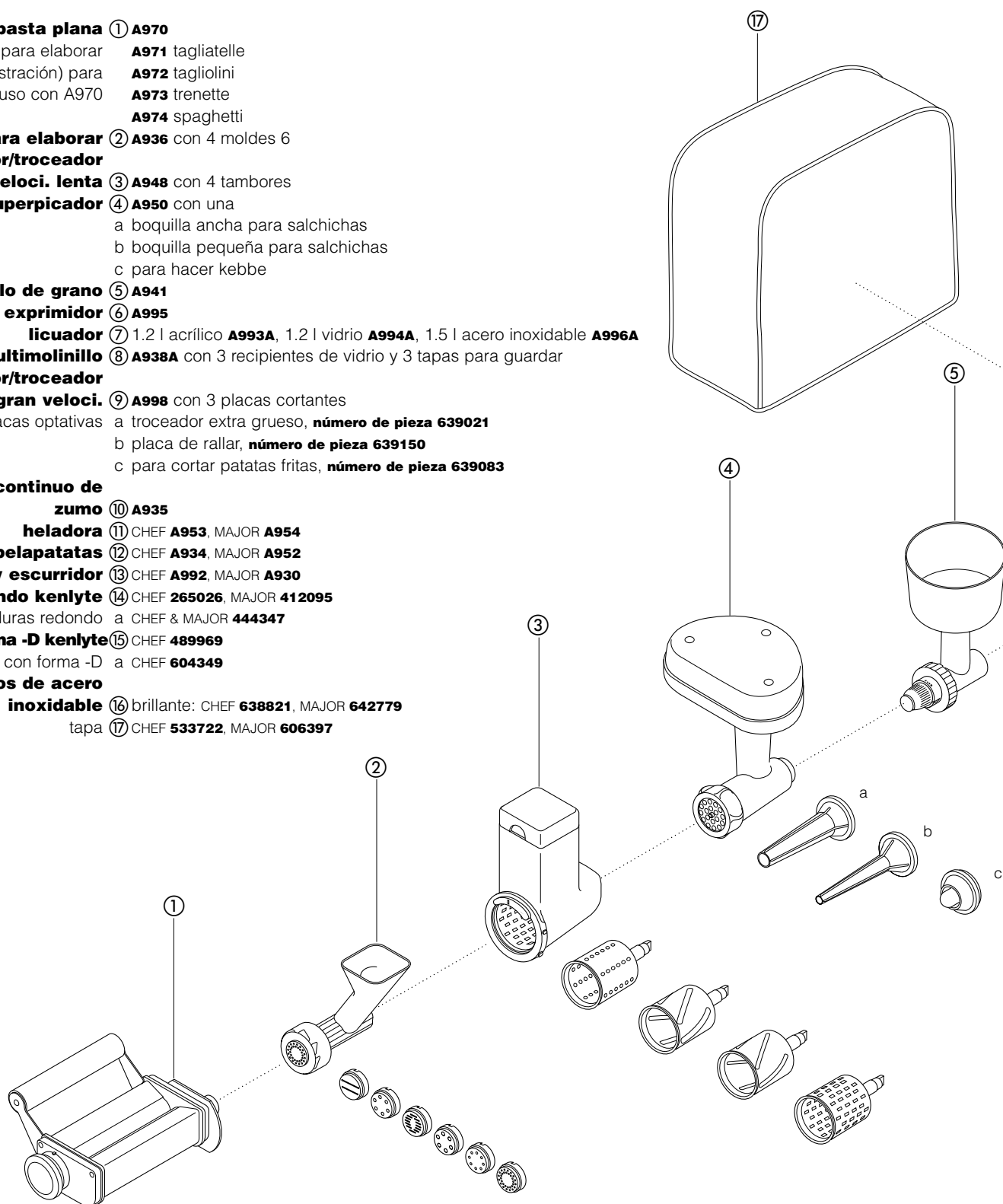
cuenco con forma -D kenlyte ⑮ CHEF 489969

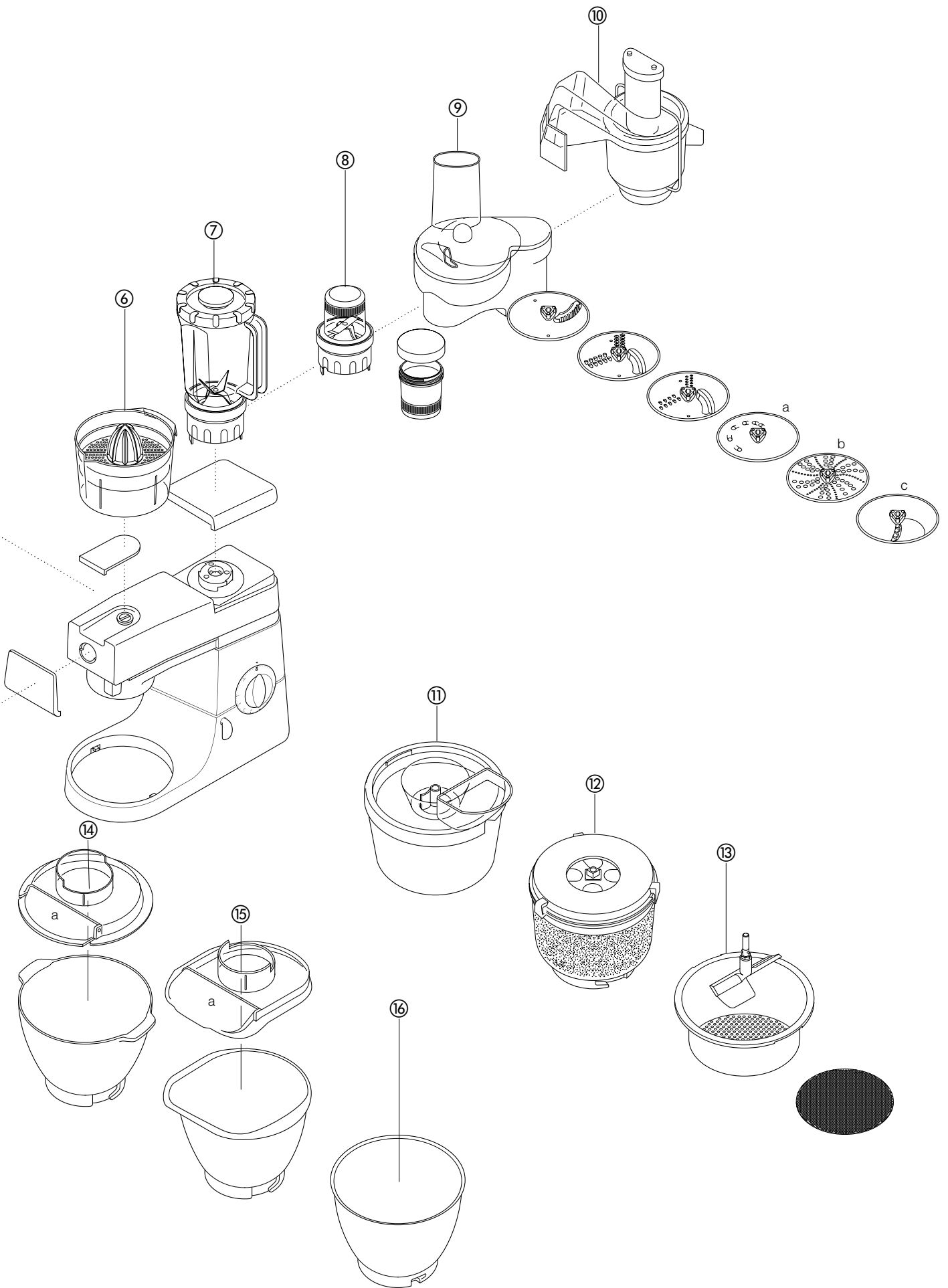
antisalpicaduras con forma -D a CHEF 604349

cuencos de acero

inoxidable ⑯ brillante: CHEF 638821, MAJOR 642779

tapa ⑰ CHEF 533722, MAJOR 606397





limpieza y servicio

mantenimiento y limpieza

- Apague y desenchúfela siempre antes de limpiar.
- Puede que haya un poco de grasa en las salidas **2** y **3** cuando las utilice por primera vez. Esto es normal. Páseles un paño.

unidad de potencia ● Pase un trapo húmedo, luego séquela.

- Nunca utilice productos abrasivos o la sumerja en agua.

boles ● Lávelos a mano, luego séquelos bien.

- Si tiene un bol de acero inoxidable, no utilice nunca un cepillo de alambre, nanas o lejía. Use vinagre para limpiar la cal. El cuenco de acero inoxidable se puede limpiar también en lavavajillas.

- Manténgalos lejos del calor (cocinas, hornos, microondas).

utensilios ● Lávelos a mano, luego séquelos bien.

- Si se ponen en el lavavajillas, el batidor en forma de K, el batidor de varillas y el gancho de amasar pueden descolorirse.

tapa antisalpicaduras ● Lávela a mano y séquela bien.

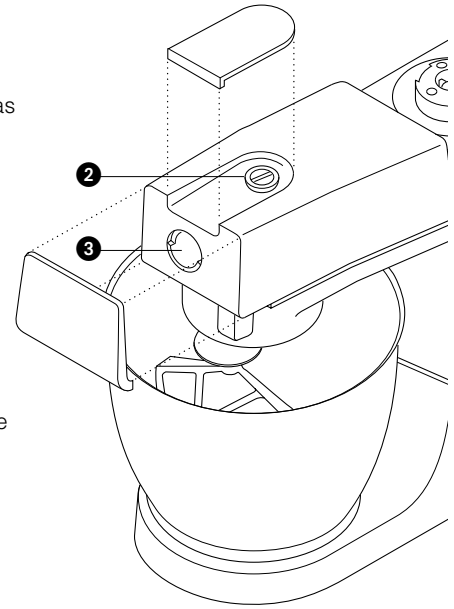
servicio y atención al cliente

- Si el cable de alimentación eléctrica del aparato está dañado, por razones de seguridad debe ser sustituido por el fabricante o un técnico autorizado de KENWOOD.

Si necesita ayuda sobre:

- el uso del aparato
- el pedido de otro accesorio
- servicio o asistencia técnica

Contacte con la tienda donde compró su aparato.



recetas

Vea los puntos importantes para hacer pan de la página 18

pan blanco *masa blanda al estilo continental*

ingrediente • 2,6kg de harina normal

Esta cantidad es para los • 1,3 l de leche

modelos KM600, 800 y 810. • 300g de azúcar

Para los modelos KM300, 400 • 450g de margarina

y 410, utilice la mitad de las • 100g de levadura fresca o 50g de levadura seca

medidas y añada toda la • 6 huevos batidos

harina al mismo tiempo. • 5 pellizcos de sal

preparación 1 Derrita la margarina en la leche y caliéntelo hasta 43°C.

2 **Levadura seca** (de la clase que necesita reconstitución): añada la levadura y el azúcar a la leche y déjelo durante unos 10 minutos hasta que se haga una espuma.

Levadura fresca: desmenúcela en la harina y añada el azúcar.

Otras clases de levaduras: siga las instrucciones del fabricante.

3 Eche la leche al bol. Añada los huevos batidos y 2kg de harina.

4 Mézclelo a velocidad mínima durante 1 minuto y después a velocidad 1 durante otro minuto más. Junte la masa.

5 Añada la sal y el resto de la harina y mézclela a la velocidad mínima durante 1 minuto, luego use la velocidad 1 durante otros 2 - 3 minutos hasta que esté suave y uniforme.

6 Llène por la mitad algunos moldes de 450g untados con grasa con la masa, o deles la forma de bollos. Luego cúbralos con un paño de cocina y déjelos en un sitio templado hasta que se doble la cantidad.

7 Méталos en el horno a 200°C/Marca de gas 6 durante 20 - 25 minutos si son *hogazas* y 15 minutos si se trata de *bollos*.

8 Una vez hechos, deben sonar a hueco cuando se golpeen en la base.

• Haga unas 10 hogazas.

tarta de fresas y albaricoques

ingrediente: bizcocho • 3 huevos

• 75g de azúcar blanquilla

• 75g de harina

relleno y decoración • 150ml de nata de montar

• Azúcar a su gusto

• 225g de fresas

• 225g de albaricoques

preparación 1 Corte los albaricoques por la mitad y quite los huesos. Cocínelos a fuego lento con muy poca agua, añadiendo azúcar a su gusto, hasta que estén blandos.

2 Lave y corte las fresas por la mitad.

3 Para hacer el bizcocho, bata los huevos y el azúcar a la velocidad máxima hasta que pierdan el color y se pongan espesos.

4 Retire el bol y el batidor de varillas. Mezcle la harina a mano con una cuchara grande de metal (con cuidado para que el bizcocho quede ligero).

5 Ponga la mezcla en dos moldes de 18cm con papel pastelero untados con grasa.

6 Méталas al horno a 180°C/Marca de gas 4 durante 20 minutos hasta que la tarta se levante un poco por detrás con el contacto ligero.

7 Páselos a una bandeja de rejilla para enfriar.

8 Bata la nata a la velocidad máxima hasta que se monte. Añada el azúcar a su gusto.

9 Trocee los albaricoques y 1/3 de las fresas. Échelos en la mitad de la nata.

10 Espárzalo en uno de los bizcochos, luego ponga el otro encima.

11 Esparza el resto de la nata por encima y decórelo con el resto de las fresas.

recetas *continuación*

merengues

- ingrediente
- 4 claras de huevo
 - 250g de azúcar glas, colada
- preparación
- 1 Ponga papel pastelero del que no se pega en la bandeja.
 - 2 Bata las claras de los huevos y el azúcar a la velocidad máxima durante 10 minutos hasta que forme picos.
 - 3 Ponga con una cuchara la mezcla en la bandeja (o utilice una manga pastelera con una boquilla de 2,5cm).
 - 4 Métales al horno a 110°C/Marca de gas ¼ durante 4 - 5 horas hasta que se solidifiquen y estén crujientes. Si se empiezan a dorar demasiado, deje la puerta del horno un poquito abierta.
- Conserve los merengues en latas de aire comprimido.

pastas quebradizas

- ingrediente
- 450g de harina, colada con sal
 - 5ml (1 cucharada) de sal
 - 225g de grasa (mezcle manteca de cerdo y margarina recién sacada del frigorífico)
 - Unos 80ml (4 cucharadas) de agua
- Consejo
- No lo mezcle demasiado
- preparación
- 1 Ponga la harina en el bol. Corte la grasa: en trozos y añádala a la harina.
 - 2 Mézclelo a velocidad 1 hasta obtener una consistencia parecida a las migas de pan. Deje de mezclar antes de que quede untuoso.
 - 3 Añada el agua y mézclelo a la velocidad mínima. Pare tan pronto como el agua se haya ligado.
 - 4 Cocine a unos 200°C/Marca de gas 6, dependiendo del relleno.

hamburguesas

- ingrediente
- 250g de ternera de primera sin nervios
- preparación
- 1 Córtele en cuadraditos de 2,5cm
 - 2 Si no tiene picadora use la licuadora y pique trocitos pequeños. Use la velocidad 2 durante 15 segundos **máximo**. Limpia alrededor de las cuchillas entre remesas.
 - 3 Mezcle los condimentos como cebollas troceadas, hierbas (frescas o secas), pimienta negra molida, y el zumo y la corteza de un limón.
 - 4 Dé la forma de hamburguesas y póngalo al grill con calor de medio a fuerte hasta que estén cocinadas.

conheça a sua máquina de cozinha Kenwood

segurança

- Desligue a máquina antes de instalar ou retirar acessórios, após a utilização ou antes de a limpar.
- Esta máquina não se destina a ser utilizada por crianças pequenas ou por pessoas debilitadas sem supervisão.
- Mantenha os dedos afastados das peças móveis e dos acessórios montados.
- Nunca deixe a máquina a funcionar sem supervisão e mantenha as crianças afastadas da mesma.
- Nunca utilize uma máquina danificada. Mande-a inspeccionar ou reparar; consulte a secção 'Assistência Técnica' na página 30.
- Nunca utilize um acessório não autorizado ou mais que um acessório de cada vez.
- Nunca exceda as capacidades máximas indicadas na página 26.
- Não deixe que as crianças brinquem com esta máquina.
- Ao utilizar um acessório, leia as instruções de segurança que o acompanham.
- Utilize a máquina exclusivamente para a preparação doméstica de alimentos.

antes de ligar à corrente

- Certifique-se de que a tensão da corrente da sua rede corresponde à indicada na base da sua máquina.
- Esta máquina cumpre os requisitos da Directiva 89/336/CEE da Comunidade Económica Europeia.

antes de utilizar a máquina pela primeira vez

- 1 Retire todos os materiais de embalagem.
- 2 Lave as peças: consulte a secção 'manutenção e limpeza' na página 30.

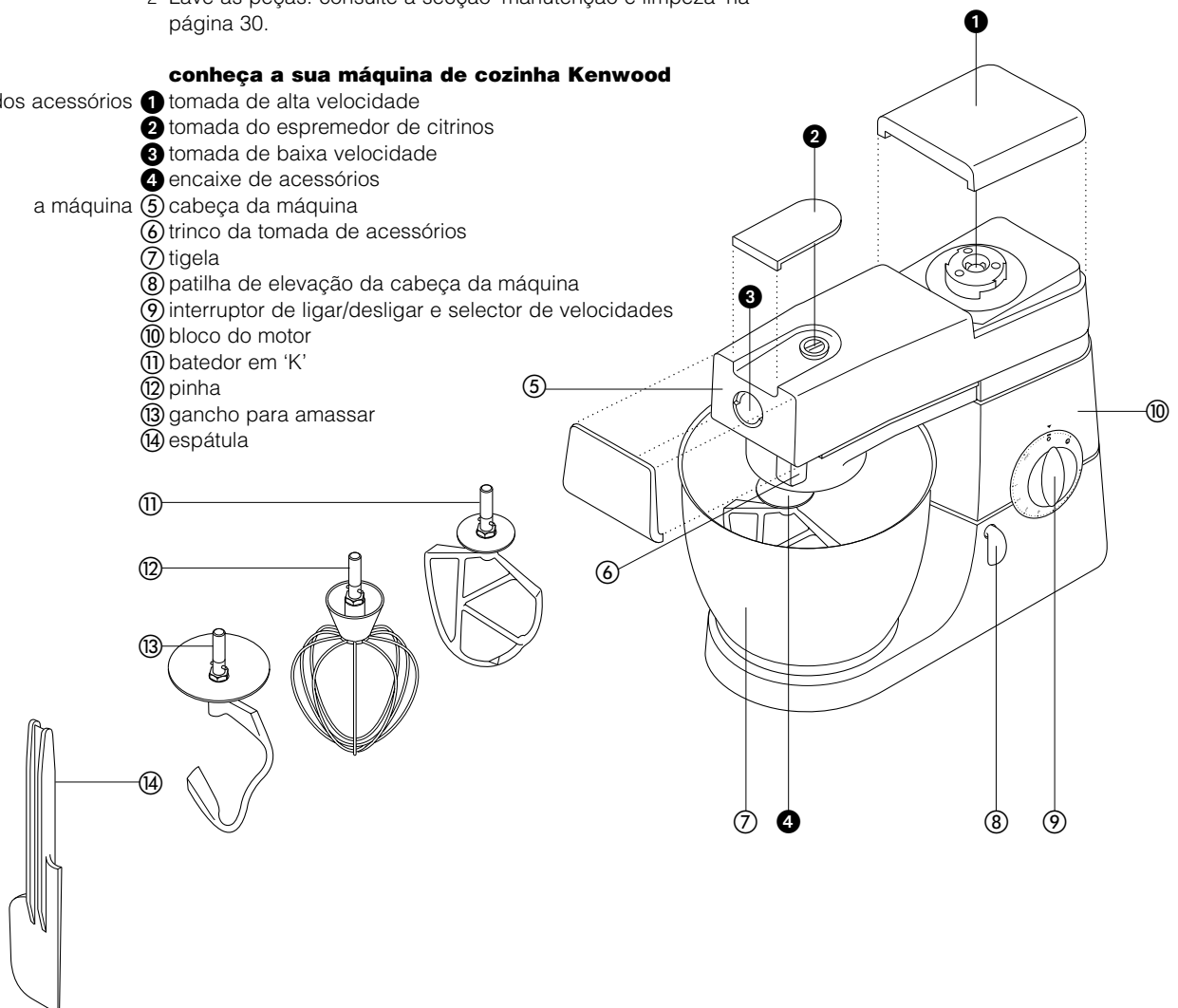
conheça a sua máquina de cozinha Kenwood

tomadas dos acessórios

- 1 tomada de alta velocidade
- 2 tomada do espremedor de citrinos
- 3 tomada de baixa velocidade
- 4 encaixe de acessórios

a máquina

- 5 cabeça da máquina
- 6 trinco da tomada de acessórios
- 7 tigela
- 8 patilha de elevação da cabeça da máquina
- 9 interruptor de ligar/desligar e selector de velocidades
- 10 bloco do motor
- 11 batedor em 'K'
- 12 pinha
- 13 gancho para amassar
- 14 espátula



a máquina

batedor em 'K' • **os acessórios de misturar e algumas das suas funções**
• para fazer bolos, biscoitos, massas de pastelaria, coberturas para bolos, recheios, éclairs e puré de batata.

pinha • para ovos, natas, massas para fritos, pão-de-ló sem gordura, merengues, tartes de requeijão, mousses e soufflés. Não utilize a pinha para preparados pesados (por ex. para bater manteiga com açúcar) - caso contrário poderá danificá-la.

gancho para massas • para massas com fermento.

como utilizar a sua máquina

para introduzir um acessório 1 Rode a patilha de elevação da cabeça da máquina para a esquerda ① e eleve a cabeça da máquina até esta prender.

2 Rode até parar ② e depois empurre.

3 Coloque a tigela na base - pressione-a rodando-a para a direita ③

4 Rode a patilha de elevação da cabeça da máquina para a esquerda e baixe a cabeça da máquina até esta prender.

5 Seleccione uma velocidade e depois ligue rodando o selector de velocidades.

• Seleccione **P** para impulsos curtos.

para retirar um acessório 6 Desenrosque-o.

sugestões • Desligue a máquina e raspe a tigela com a espátula frequentemente.

• Os ovos à temperatura ambiente são melhores de bater.

• Antes de bater claras em castelo, certifique-se de que não há gordura ou gema de ovo na pinha ou na tigela.

• Utilize ingredientes frios para massas de pastelaria, a não ser que a receita indique que deve fazer algo diferente.

conselhos para fazer pão

importante • Nunca exceda as capacidades máximas abaixo ou sobrecarregará a máquina.

• Se ouvir a máquina a trabalhar com dificuldade, desligue-a, retire metade da massa e bata cada metade separadamente.

• Os ingredientes misturarão melhor se introduzir primeiro o líquido.

capacidades máximas

Modelos KM300, 400 e 410

KM600, 800 e 810

massa para tartes • Peso de farinha: 680g

massa com fermento rija • Peso de farinha: 1,36kg

tipo britânico • Peso total: 2,18kg

massa com fermento mole • Peso de farinha: 1,3kg

tipo continental • Peso total: 2,5kg

massa para bolo de frutas • Peso total: 2,72kg

claras de ovo • 12

Peso de farinha: 910g

Peso de farinha: 1,5kg

Peso total: 2,4kg

Peso de farinha: 2,8kg

Peso total: 5kg

Peso total: 4,55kg

16

velocidades ④

batedor em 'K' • **bater manteiga e açúcar até estarem cremosos** comece no mínimo e aumente gradualmente até ao máximo.

• **incorporar ovos nas misturas em creme** 4 - máximo.

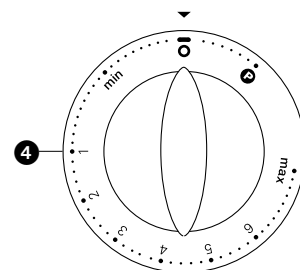
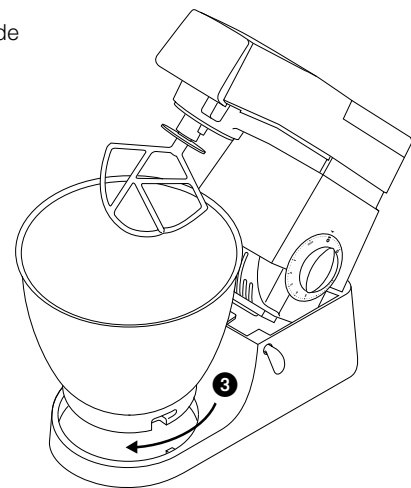
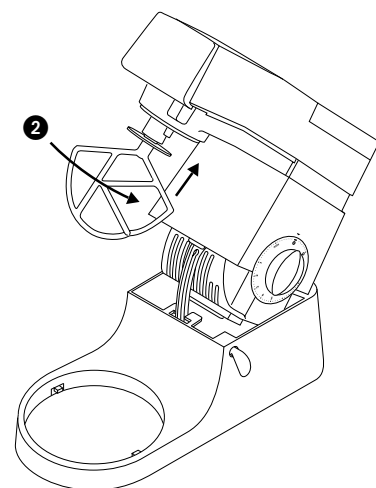
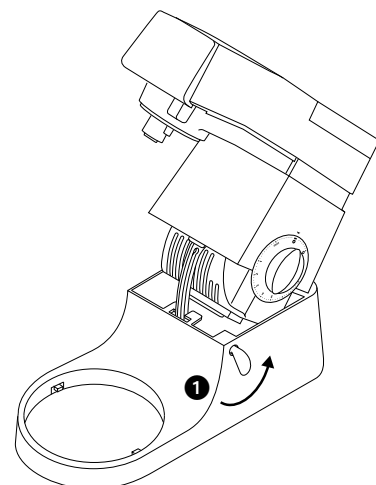
• **envolver farinha, fruta, etc.** mínimo - 1.

• **bolos de pacote** comece no mínimo e aumente gradualmente até ao máximo.

• **incorporar manteiga ou margarina em farinha** mínimo - 2.

pinha • Aumente gradualmente para a velocidade 'max.' (máximo).

gancho para massas • Comece no 'min' (mínimo) e aumente gradualmente para 1.



para **limpeza**, veja a pág. 30

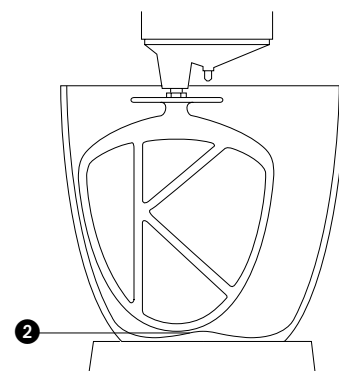
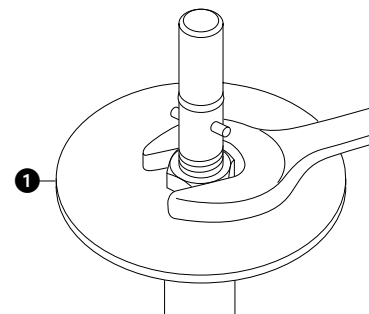
resolução de problemas

problema

- A pinha ou o batedor em 'K' bate contra o fundo da tigela ou não alcança os ingredientes que se encontram no fundo da tigela.

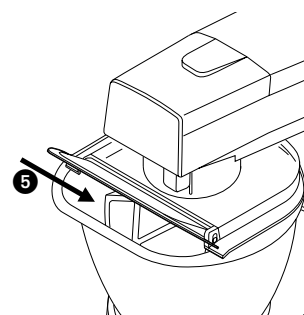
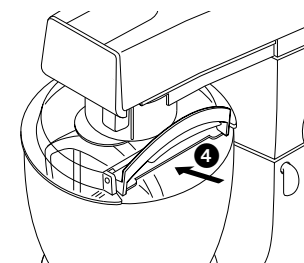
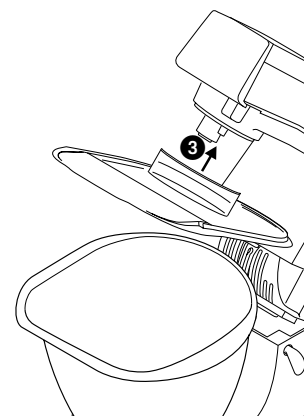
solução • ajuste a altura do acessório. Faça o seguinte:

- 1 Retire a ficha da tomada.
- 2 Eleve a cabeça da máquina e introduza o batedor de arames ou batedor em "K".
- 3 Segure no acessório e afrouxe a porca **1**.
- 4 Baixe a cabeça da máquina.
- 5 Ajuste a altura do acessório rodando o eixo. Idealmente, o batedor de arames/batedor em "K" deverá **quase** tocar o fundo da taça **2**.
- 6 Eleve a cabeça da máquina, segure o batedor de arames/batedor em "K" e aperte a porca.



instalação e utilização do seu resguardo anti-salpicos redondo/em "D" (se for fornecido)

- 1 Eleve a cabeça da máquina até esta prender.
- 2 Coloque a taça na base.
- 3 Instale o resguardo anti-salpicos, empurrando-o até estar bem encaixado **3**. A secção articulada deve ser posicionada tal como ilustrado em **4** para o formato redondo e como ilustrado em **5** para o formato em "D".
- 4 Introduza o acessório pretendido.
- 5 Baixe a cabeça da máquina, certificando-se de que o formato do resguardo anti-salpicos acompanha o formato da taça.
 - Durante a mistura, os ingredientes podem ser adicionados directamente à taça através da secção articulada do resguardo anti-salpicos.
 - Não precisa de retirar o resguardo anti-salpicos ao trocar os acessórios.
- 6 Retire o resguardo anti-salpicos elevando a cabeça da máquina e puxando-o levemente para baixo.

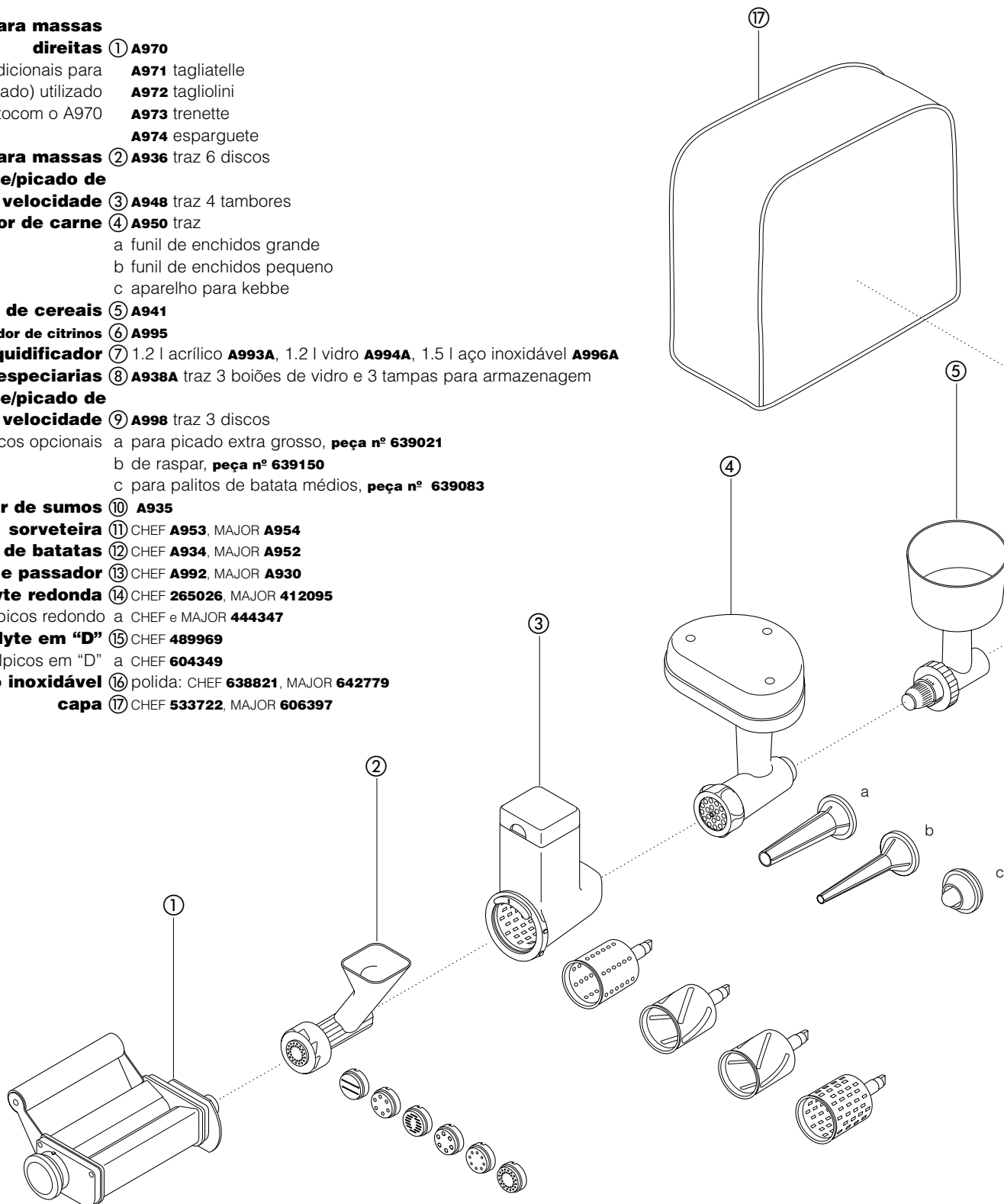


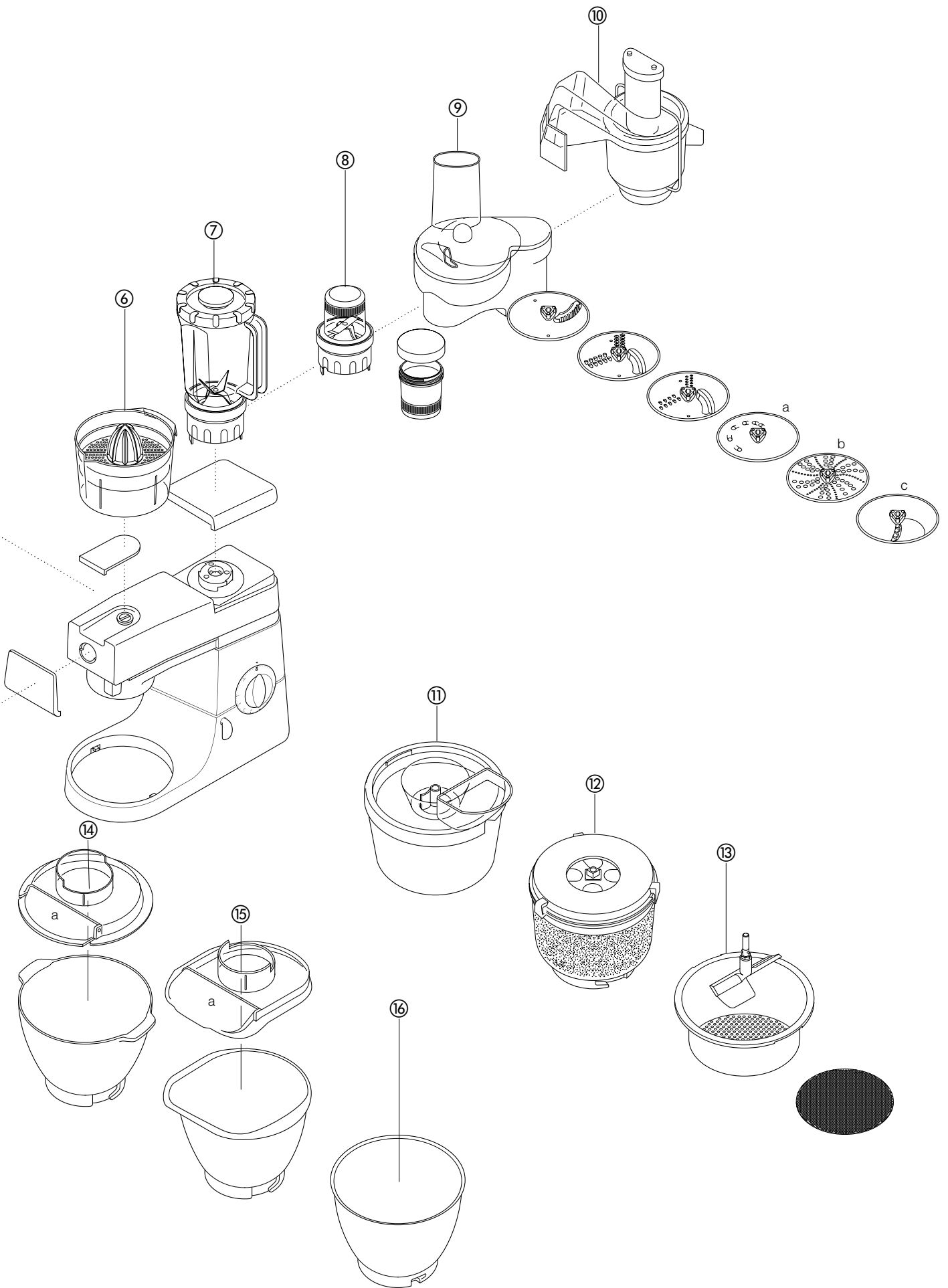
os **acessórios** disponíveis

Para comprar um acessório não incluído com o seu aparelho, contacte um técnico autorizado KENWOOD.

acessório código do acessório

- aparelho para massas direitas** ① **A970**
 acessórios adicionais para massas (não ilustrado) utilizado em conjunto com o A970
A971 tagliatelle
A972 tagliolini
A973 trenette
A974 esparquete
- aparelho para massas disco para corte/picado de baixa velocidade** ② **A936** traz 6 discos
- super picador de carne** ③ **A948** traz 4 tambores
- moimho de cereais** ④ **A950** traz
 a funil de enchidos grande
 b funil de enchidos pequeno
 c aparelho para kebbe
- espremedor de citrinos** ⑤ **A941**
- liquidificador** ⑦ 1.2 l acrílico **A993A**, 1.2 l vidro **A994A**, 1.5 l aço inoxidável **A996A**
- moimho de especiarias** ⑧ **A938A** traz 3 boiões de vidro e 3 tampas para armazenagem
- disco para corte/picado de alta velocidade** ⑨ **A998** traz 3 discos
 discos opcionais
 a para picado extra grosso, **peça nº 639021**
 b de raspar, **peça nº 639150**
 c para palitos de batata médios, **peça nº 639083**
- centrifugador de sumos** ⑩ **A935**
- sorveteira** ⑪ CHEF **A953**, MAJOR **A954**
- pelador de batatas** ⑫ CHEF **A934**, MAJOR **A952**
- coador e passador** ⑬ CHEF **A992**, MAJOR **A930**
- taça kenlyte redonda** ⑭ CHEF **265026**, MAJOR **412095**
- resguardo anti-salpicos redondo a CHEF e MAJOR **444347**
- taça kenlyte em "D"** ⑮ CHEF **489969**
- resguardo anti-salpicos em "D" a CHEF **604349**
- taças em aço inoxidável** ⑯ polida: CHEF **638821**, MAJOR **642779**
- capa** ⑰ CHEF **533722**, MAJOR **606397**





limpeza e assistência técnica

manutenção e limpeza

- Desligue sempre a máquina no interruptor e retire a ficha da tomada de corrente antes de a limpar.
- Um pouco de gordura poderá aparecer nas **tomadas de acessórios 2** e **3** ao utilizá-las pela primeira vez. Isto é normal - remova simplesmente a gordura com um pano.

bloco do motor • Limpe com um pano húmido e depois com um seco.

- Nunca utilize abrasivos nem mergulhe em água.

tigelas • Lave-as à mão e seque-as bem em seguida.

- Se tiver uma tigela de aço inoxidável, nunca utilize uma escova de arame, palha de aço ou lixívia. Utilize vinagre para remover depósitos calcários. A taça em aço inoxidável pode também ser lavada na máquina de lavar loiça.
- Mantenha-as afastadas do calor (bicos de fogão, fornos normais e fornos microondas).

acessórios • Lave-os à mão e seque-os bem em seguida.

- O batedor em "K", o batedor de arames e o gancho para amassar não devem ser lavados na máquina de lavar loiça, caso contrário poderão sofrer descoloração.

resguardo anti-salpicos • Lave-o à mão e depois seque-o bem

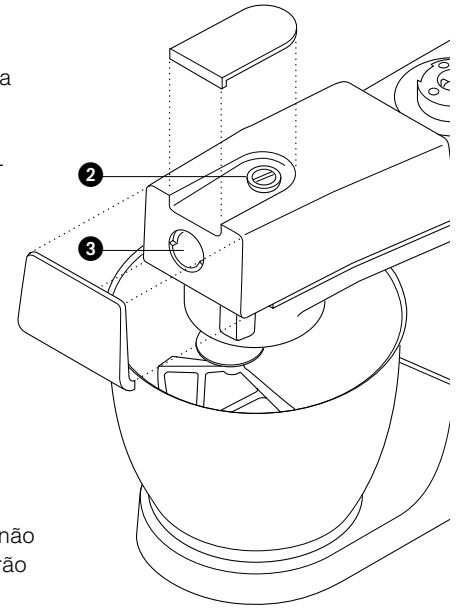
assistência técnica e atendimento ao cliente

- Se o fio estiver danificado, deverá, por razões de segurança, ser substituído pela KENWOOD ou por um técnico autorizado KENWOOD.

Se necessitar de ajuda em relação ao seguinte:

- utilização da sua máquina
- encomenda de outro acessório
- assistência técnica ou reparações

Contacte o estabelecimento onde adquiriu o seu aparelho.



receitas

Consulte os 'Conselhos para Fazer Pão' na página 26.

pão branco *massa suave do tipo continental*

- ingredientes
- 2,6kg de farinha branca normal
 - 1,3 litros de leite
 - 300g de açúcar
 - 450g de margarina
 - 100g de fermento fresco ou 50g de fermento seco
 - 6 ovos, batidos
 - 5 pitadas de sal

Estas quantidades destinam-se aos modelos KM600, 800 e 810. Para os modelos KM300, 400 e 410, utilize metade das quantidades e adicione a farinha toda de uma só vez.

- método
- 1 Derreta a margarina no leite e eleve a temperatura aos 43°C.
 - 2 **fermento seco** (do tipo que necessita de ser reconstituído): adicione o fermento e o açúcar ao leite e deixe repousar cerca de 10 minutos até criar espuma.
fermento fresco: desfaça-o e incorpore-o na farinha e adicione o açúcar.
outros tipos de fermento: siga as instruções do fabricante.
 - 3 Deite o leite na tigela. Adicione os ovos batidos e 2kg de farinha.
 - 4 Bata à velocidade mínima por 1 minuto e depois à velocidade 1 por mais um minuto. Raspe para baixo.
 - 5 Adicione o sal e a farinha restante e misture à velocidade mínima por 1 minuto e depois à velocidade 1 por 2 - 3 minutos até a massa ficar suave e homogénea.
 - 6 Unte e encha de massa, até metade, quatro formas de 450g ou prepare pãezinhos. Seguidamente cubra com um pano de loiça e deixe num local quente até duplicarem de volume.
 - 7 Coza no forno, à temperatura de 200°C/400°F/Gás Marca 6, por 20 - 25 minutos para o pão de forma ou por 15 minutos para os pãezinhos.
 - 8 Quando pronto, o pão deverá soar a oco quando se lhe bater levemente na base.

- Quantidade suficiente para cerca de 10 pães de forma.

pão-de-ló recheado com morangos e alperces

- ingredientes: pão-de-ló
- 3 ovos
 - 75g de açúcar branco
 - 75g de farinha sem fermento
- recheio e decoração
- 150ml de natas
 - Açúcar a gosto
 - 225g de morangos
 - 225g de alperces

- método
- 1 Parta os alperces ao meio e remova os caroços. Coza em fogo lento, em muito pouca água, adicionando açúcar a gosto, até estarem macios.
 - 2 Lave e corte ao meio os morangos.
 - 3 Para preparar o pão-de-ló, bata os ovos e açúcar à velocidade máxima até a massa ficar muito pálida e espessa.
 - 4 Retire a taça e o batedor de arames. Incorpore manualmente a farinha, com uma colher metálica grande - faça isto cuidadosamente para manter o pão-de-ló leve.
 - 5 Introduza a mistura em duas formas redondas de 18 cm de diâmetro, untadas e forradas.
 - 6 Coza no forno, à temperatura de 180°C/350°F/Gás Marca 4, por cerca de 20 minutos, até o bolo estar fofo ao ser tocado ligeiramente.
 - 7 Vire em cima de uma rede de arame.
 - 8 Bata as natas à velocidade máxima até ficarem firmes. Adicione açúcar a gosto.
 - 9 Corte grosseiramente os alperces e um terço dos morangos. Envolve-os em metade das natas.
 - 10 Espalhe este recheio sobre uma das metades do pão-de-ló e depois coloque a outra metade sobre a primeira.
 - 11 Espalhe as natas restantes por cima do bolo e decore-o com os morangos restantes.

receitas *continuação*

Merengues

- ingredientes
- 4 claras de ovo
 - 250g de açúcar em pó, peneirado
- método
- 1 Forre o seu tabuleiro de ir ao forno com papel vegetal antiaderente.
 - 2 Bata as claras de ovo e o açúcar à velocidade máxima por cerca de 10 minutos até formarem picos.
 - 3 Coloque colheradas de merengue no tabuleiro (ou utilize um saco de pasteleiro com um bico de 2,5cm em estrela).
 - 4 Coza no forno, à temperatura de 110°C/225°F/Gás Marca ¼, por cerca de 4 - 5 horas, até estarem firmes e estaladiços. Se começarem a dourar, deixe a porta do forno ligeiramente aberta.
- Guarde os merengues numa lata hermética.

massa para tartes

- ingredientes
- 450g de farinha, peneirada com o sal
 - 5ml (1 colher de chá) de sal
 - 225g de gordura (misture banha e margarina, directamente do frigorífico)
 - Cerca de 80ml de água
- sugestão
- Não bata excessivamente.
- método
- 1 Coloque a farinha na tigela. Corte grosseiramente a gordura e adicione-a à farinha.
 - 2 Misture à velocidade 1 até obter a consistência de pão ralado. Pare antes que a mistura adquira um aspecto gorduroso
 - 3 Adicione a água e misture à velocidade mínima. Pare assim que a água esteja incorporada.
 - 4 Coza no forno, à temperatura de cerca de 200°C/400°F/Gás Marca 6, dependendo do recheio.

Hamburgers

- ingredientes
- 250g de boa carne de vaca, sem nervos
- método
- 1 Corte-a em cubos de 2,5cm.
 - 2 Se não tiver um picador, utilize o liquidificador e pique pequenas quantidades de cada vez. Utilize a velocidade 2 por um **máximo** de 15 segundos. Limpe em volta das lâminas entre um lote e o seguinte.
 - 3 Misture com temperos, tais como cebola picada, ervas aromáticas mistas (frescas ou secas), pimenta preta grossa e sumo e raspas de um limão.
 - 4 Enforme dois hamburgers e grelhe-os com calor entre médio a alto até estarem bem cozinhados.

طرق الطهي تنمة

كاتو الفراولة والمشمش

- الموا: الاسفنجية ● ٣ بيضات
 - ٧٥ جم (٣ اونصة) سكر الكاستر
 - ٧٥ جم (٣ اونصة) دقيق عادي
 - ١٥٠ مل (٠.٢٥ باينت) كريم مزدوج
 - سكر حسب الذوق
 - ٢٢٥ جم (٨ اونصة) فراولة
 - ٢٢٥ جم (٨ اونصة) مشمش
- 1 الطريقة 1 يقطع المشمش الى نصفين وتزال البذور. تطبخ برفق بقليل جدا من الماء، مع اضافة السكر حسب الذوق، الى ان يصبح طريا.
 - 2 تغسل الفراولة وتقطع الى انصاف.
 - 3 لعمل الاسفنجية، يخفق البيض والسكر على السرعة القصوى الى ان تصبغ المواد شاحبة جدا وثنينة القوام.
 - 4 يزال الوعاء والمخفقة. يدمج الدقيق باليد باستعمال ملعقة معدنية كبيرة - ينفذ هذا بكل عناية لابقاء الاسفنجية خفيفة.
 - 5 يوضع المزيج في ٢ وعاء ساندويتش معدني مزيت ومبطن، قياس ١٨ سم (٧ بوصة).
 - 6 يخبز المزيج بدرجة حرارة ١٨٠ م / ٣٥٠ ف / علامة الغاز ٤ لمدة ٢٠ دقيقة تقريبا الى ان يرتد الكيك مرنا عند لمسها برفق.
 - 7 تقلب على رف سلكي.
 - 8 يخفق الكريم على السرعة القصوى الى ان يصبح كثيفا. يضاف السكر حسب الذوق.
 - 9 يقطع قليلا المشمش وتلت كمية الفراولة. وتدمج في نصف الكريم.
 - 10 ينشر هذا على واحدة من المادة الاسفنجية، ثم توضع الاسفنجية الاخرى فوق الاولى.
 - 11 ينشر الكريم المتبقي عند الاعلى ويزين بالفراولة المتبقية.

المرنغ

- المواد ● ٤ بيضات
 - ٢٥٠ جم (٩ اونصة) سكر ثلجي، منخول
- 1 الطريقة 1 تبطن صينية الخبز بورق فرن مضاد للالتصاق.
 - 2 يخفق بياض البيض والسكر على السرعة القصوى لحوالي ١٠ دقائق حتى تتكون كتل مرتفعة.
 - 3 ينقل المزيج، باستعمال ملعقة، الى صينية الخبز (او يستعمل كيس انبوبي ذو فوهة نجمية قياس ٢.٥ سم (١ بوصة)).
 - 4 يخبز المزيج بدرجة حرارة ١١٠ م / ٢٢٥ ف / علامة الغاز - لحوالي ٤-٥ ساعات الى يصبح مكتنزا وهشئا. اذا اخذت المواد بالاحمرار يترك باب الفرن مفتوحا بفرجة صغيرة.
- يخزن المرنغ في علبة معدنية مانعة لدخول الهواء.

المعجنات رقيقة القشرة

- المواد ● ٤٥٠ (١ باوند) دقيق، منخول مع الملح
 - ٥ مل (ملعقة شاي) ملح
 - ٢٢٥ جم (٨ اونصة) سمن (يمزج الشحم والمرجرين مباشرة من البراد)
 - حوالي ٨٠ مل (٤ ملعقة طعام) ماء
- لا تفرط بالمزج
- 1 الطريقة 1 ضع الدقيق في الوعاء. يقطع السمن ويضاف الى الدقيق.
 - 2 امزج على السرعة ١ حتى يصبح المزيج بهيئة كسر خبز. اوقف المزج قبل ان تبدو المواد دهنية القوام.
 - 3 اضع الماء وامزج على السرعة القصوى. اوقف التشغيل حالما يتم دمج الماء.
 - 4 اخبز على درجة حرارة حوالي ٢٠٠ م / ٤٠٠ ف / علامة الغاز ٦، اعتمادا على نوع الحشو.

برجر البقر

- المواد ● ٢٥٠ جم (٩ اونصة) لحم بقر بدون اعصاب من النوع الجيد
- 1 الطريقة 1 يقطع اللحم الى مكعبات قياس ٢.٥ سم (١ بوصة).
 - 2 اذا لم تتوفر لديك مفرمة، يستعمل جهاز التسييل لفرم كميات قليلة من اللحم في كل دفعة.
 - 3 تستعمل السرعة ٢ لمدة ١٥ ثانية **حد اقصى**. تنظف المنطقة حول السكين بين دفعة واخرى.
 - 4 يمزج مع مواد التتبيل مثل البصل المقطع، الاعشاب الممزوجة (الطازجة او الجافة)، فلفل اسود خشن، وعصير ولب ليمونة.
 - 4 يشكل المزيج بهيئة ٢ برجر بقر ويشوى على حرارة متوسطة الى مرتفعة الى ان ينضج تماما.

طرق الطهي

انظر امور هامة تتعلق بعمل الخبز في الصفحة ٤٣ .

عجين خبز ابيض طري من النوع كوتبيننتال

- المواد
- ان هذه الكميات هي للطرازات كي ام
- ٦٠٠ و ٨٠٠ و ٨١٠. بالنسبة للطرازات
- كي ام ٣٠٠ و ٤٠٠ و ٤١٠ تستعمل نصف
- الكمية ويضاف الدقيق دفعة واحدة.
- طرق الطهي، تابع
- ٥ قنصة ملح
- ٦ بيضات، مخفوقة
- ٤٥٠ جم (١ باوند) مرغرين
- ٣٠٠ جم (١٠ اونصة) سكر
- ١.٣ لتر (٢.٢٥ باينت) حليب
- ٢.٦ كجم (٥ باوند و ١٢ اونصة) دقيق عادي

١ الطريقة 1 يذوب المرغرين في الحليب ويجعل بدرجة حرارة ٤٣م (١١٠ف).

٢ **الخميرة الجافة** (النوع الذي يلزم له اعداد): اسكب الماء الدافئ في الوعاء. ثم اضع

الخميرة والسكر واتركه يستقر لحوالي ١٠ دقائق الى ان يصبح مزبدا.

الخميرة الطازجة: تدمج في الدقيق.

انواع الخميرة الاخرى: اتبع تعليمات المنتج.

٣ يسكب الحليب في الوعاء. يضاف البيض المخفوق و ٢ كجم (٤ باوند و ٦ اونصة) من الدقيق.

٤ تدمج المواد على السرعة الدنيا لمدة دقيقة واحدة، ثم على السرعة ١ لمدة دقيقة اخرى. تقشط المواد للاسفل.

٥ يضاف الدقيق المتبقي وتدمج المواد على السرعة الدنيا لمدة دقيقة واحدة ثم على السرعة ١

لمدة ٢-٣ دقائق، حتى يصبح العجين سلسا ومتجانسا.

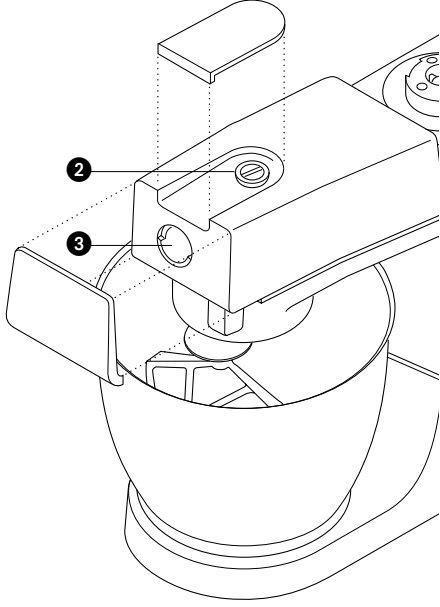
٦ املا الى المنتصف، اوعية معدنية مزيتة سعة ٤٥٠ جم (١ باوند) بالعجين او شكل العجين على هيئة لفائف. ثم غطها بمنشفة واتركها في مكان دافئ الى ان يتضاعف حجمها.

٧ يخبز العجين بدرجة حرارة ٢٠٠م/٤٠٠ف/ علامة الغاز لمدة ٢٠-٢٥ دقيقة للارغفة الكبيرة او ١٥ دقيقة للفايف.

٨ عندما يكون الخبز جاهزا يجب ان يصدر منه صوت وكأنه مجوف عند نقره على القاعدة.

- تكفي لعمل حوالي ١٠ ارغفة.

التنظيف والخدمة



العناية والتنظيف

- دائماً أوقف التشغيل وافصل من الكهرباء قبل التنظيف.
- قد يظهر قليل من الشحم عند المنفذين ② و ③ عندما يستعمل للمرة الاولى. هذا امر اعتيادي - مجرد يمسح لكي يزال.

- وحدة الطاقة، اغطية المنافذ
- تمسح بقطعة قماش رطبة، ثم تجفف.
- ابدأ لا تستعمل مواد تنظيف حادة ولا تغمرها بالماء.
- الاوعية
- تغسل باليد ثم تجفف جيداً.
- اذا كان لديكم وعاء من فولاذ لا يصدأ، ابدأ لا تستعمل فرشاة سلكية او صوف فولاذي او مواد قاصرة لتنظيفه. استعمل الخل لازالة الترسبات الكلسية. يمكن ايضا غسل الوعاء المصنوع من فولاذ لا يصدأ في غسالة الصحون.
- ابقه بعيداً عن الحرارة (مواقد الطباخ، الافران، افران الميكروويف).
- العدد
- تغسل باليد ثم تجفف جيداً.
- قد يتأثر لون المخففة واداة الخفق وخطاف العجين اذا وضعت في غسالة صحون.
- واقية التناثر
- تغسل باليد ثم تجفف تماماً.

الخدمة ورعاية الزبائن

- اذا تضرر سلك الكهرباء فيجب، لاسباب تتعلق بالسلامة، استبداله من قبل كينوود او جهة تصليح مخولة من قبل كينوود.

اذا احتجتم الى مساعدة بشأن:

- استعمال المكنة
- الخدمة او التصليح

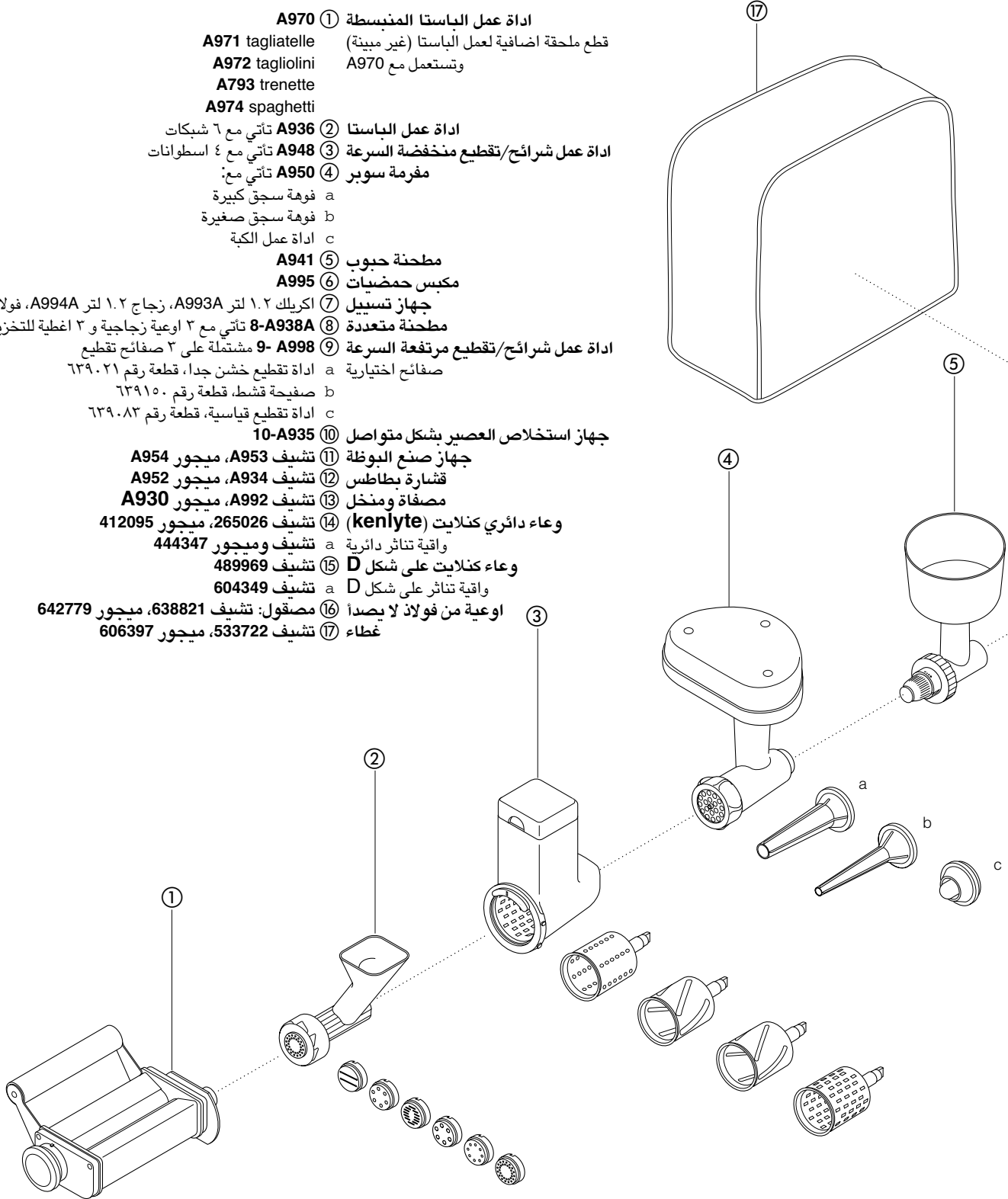
الرجاء الاتصال بالمتجر الذي اشتريتم منه المكنة.

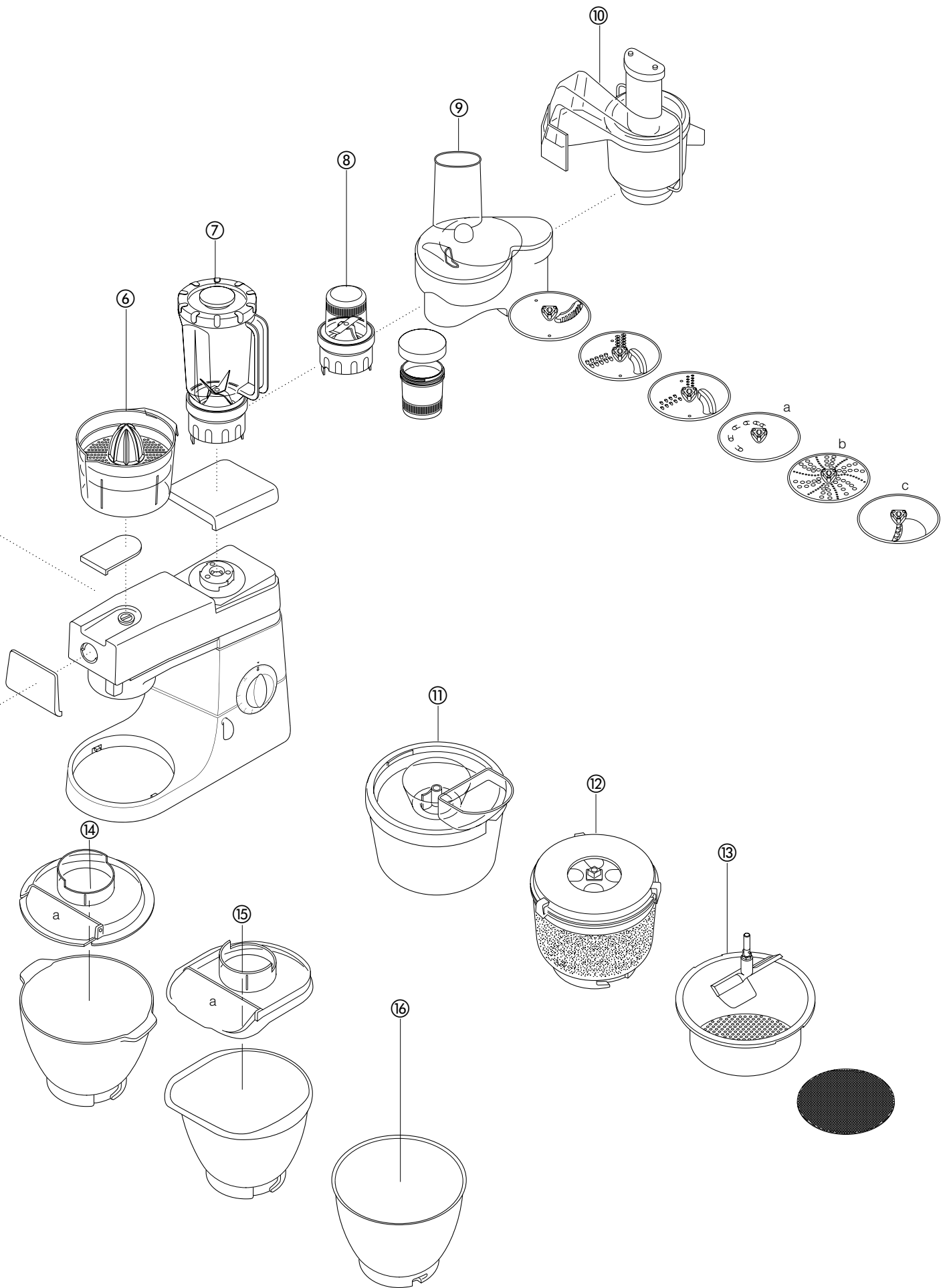
الملحقات المتوفرة

لشراء قطعة ملحقة غير موجودة لديك، اتصل بجهة تصليح كينورد.

اسم القطعة الملحقة رقم القطعة الملحقة

- A970** ① اداة عمل الباستا المنبسطة
A971 tagliatelle قطع ملحقة اضافية لعمل الباستا (غير مبينة)
A972 tagliolini وتستخدم مع A970
A793 trenette
A974 spaghetti
- A936** ② اداة عمل الباستا تأتي مع ٦ شبكات
A948 ③ اداة عمل شرائح/تقطيع منخفضة السرعة تأتي مع ٤ اسطوانات
A950 ④ مفرمة سوبر تأتي مع:
 a فوهة سقق كبيرة
 b فوهة سقق صغيرة
 c اداة عمل الكبة
- A941** ⑤ مطحنة حبوب
A995 ⑥ مكبس حمضيات
- A996A** ⑦ جهاز تسييل اكرليك ١.٢ لتر A993A، زجاج ١.٢ لتر A994A، فولاذ لا يصدأ ١.٥ لتر A996A
A938A-8 ⑧ مطحنة متعددة تأتي مع ٣ اوعية زجاجية و ٣ اغطية للتخزين.
A998-9 ⑨ اداة عمل شرائح/تقطيع مرتفعة السرعة ٩- مشتملة على ٣ صفايح تقطيع صفايح اختيارية
 a اداة تقطيع خشن جدا، قطعة رقم ٦٣٩٠٢١
 b صفيحة قشط، قطعة رقم ٦٣٩١٥٠
 c اداة تقطيع قياسية، قطعة رقم ٦٣٩٠٨٣
- A935-10** ⑩ جهاز استخلاص العصير بشكل متواصل
A954 ⑪ جهاز صنع البوظة تشيف A953، ميجور
A952 ⑫ قشارة بطاطس تشيف A934، ميجور
A930 ⑬ مصفاة ومنخل تشيف A992، ميجور
412095 ⑭ وعاء دائري كنايةت (kenlyte) تشيف 265026، ميجور
444347 ⑮ واقية تناثر دائرية تشيف وميجور
489969 ⑯ وعاء كنايةت على شكل D تشيف
 a واقية تناثر على شكل D تشيف
604349 ⑰ اوعية من فولاذ لا يصدأ تشيف
642779 ⑱ مصقول: تشيف 638821، ميجور
606397 ⑲ غطاء تشيف 533722، ميجور

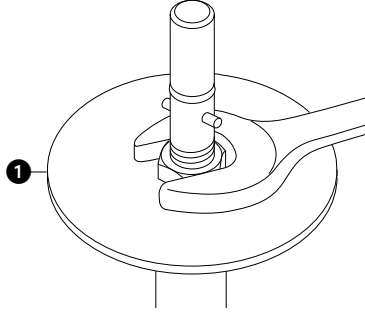




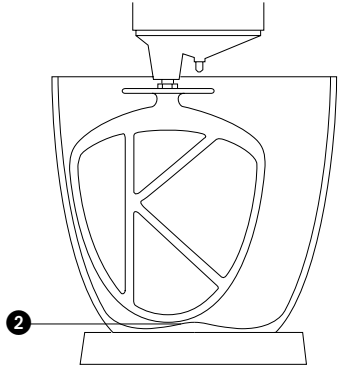
تحرير الخل واصلاحه

المشكلة

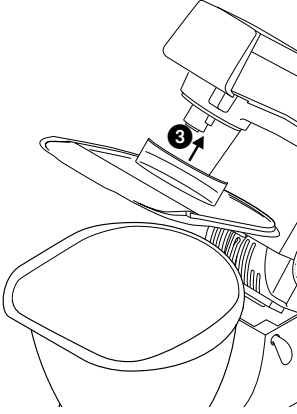
- المخفقة او المخفقة التي بشكل K ترتطم بقعر الوعاء او انها لا تصل الى المواد الموجودة في اسفل الوعاء.
- الحل عدل الارتفاع. كما يلي:



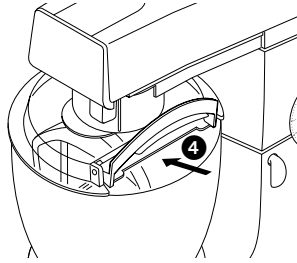
- 1 افصل الجهاز من الكهرباء.
- 2 ارفع رأس الخلاطة وادخل المخفقة او اداة الخفق.
- 3 امسكها، ثم ارخ الصمولة ①.
- 4 اخفض رأس الخلاطة.
- 5 عدل الارتفاع ببرم العمود. في الوضعية المثالية، تكاد المخفقة ان تتلامس مع قعر الوعاء ②.
- 6 ارفع الرأس، امسك المخفقة وشد الصمولة.



لتركيب واستعمال واقية التناثر/ واقية التناثر بشكل D (اذا تم تزويدها)



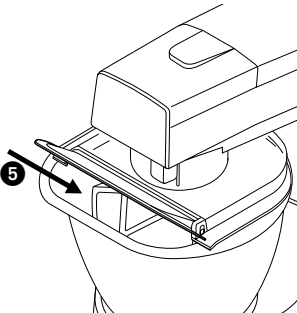
- 1 ارفع رأس الخلاطة حتى يقفل.
- 2 ركب الوعاء على القاعدة.
- 3 ادفع واقية التناثر حتى تجلس تماما في محلها ③. ان الجزء المفصلي يجب ان يركب كما هو مبين ④ ن والواقية بشكل D، ⑤.



- 4 ادخل الاداة المطلوبة.
- 5 اخفض رأس الخلاطة.

- يمكن، اثناء عملية المزج، اضافة المواد مباشرة في الوعاء عبر الجزء المفصلي من واقية التناثر.

- لا يلزم ازالة واقية التناثر لاجل تبديل العدد.
- 6 ازل واقية التناثر برفع رأس الخلاطة ودفعها الى الاسفل.



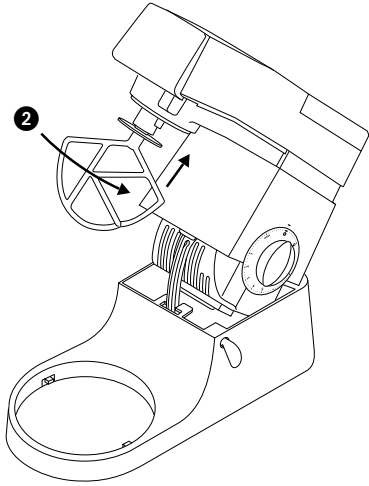
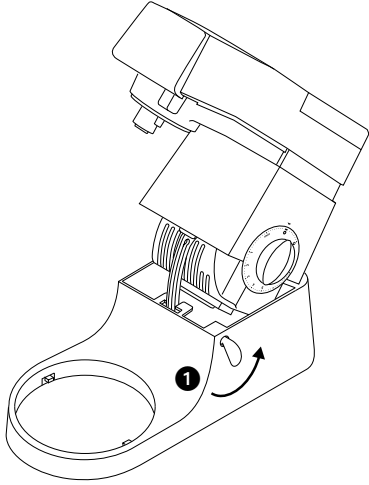
الخلاطة

عدد (ادوات) الخلط (المزج) وبعض من استعمالاتها

- لعمل الكيك والبسكويت والمعجنات والغطاء الجليدي وأنواع الحشو واصابع الحلوى والبطاطس المهروسة.
- للمخففة K
- البيض والكريم والمخيض والحلوى الاسفنجية عديمة الدسم والمرنغ وكعك الجبنة والموسمية والنفيخة. لا تستعمل المخففة لأنواع المزيج الثقيلة (مثل عمل كريم السمن والسكر) - فقد تلحق الضرر بها.
- خطاف العجين • لأمزجة الخميرة.

لاستعمال الخلاطة

- 1 ابرم عتلة رفع الرأس باتجاه حركة الساعة ① وارفع رأس الخلاطة حتى يقفل.
- 2 ادخال اداة ما ② ثم ارفع.
- 3 ركب الوعاء على القاعدة - اضغظه للأسفل ثم ابرم باتجاه حركة الساعة ③ .
- 4 اخفض رأس الخلاطة، ارفعه قليلا، ثم ابرم عتلة رفع الرأس باتجاه حركة الساعة. اخفضه حتى يقفل.
- 5 انتق سرعة ما، ثم شغل الجهاز ببرم مفتاح السرعة.
- ضع المفتاح على موضع التشغيل على دفعات ④ للتشغيل على دفعات قصيرة.
- 6 لازالة عدة ما فكها.



- ملاحظات مفيدة
- اوقف التشغيل واقشط المواد تكرارا مستعملا المقشطة.
- ان البيض الذي هو بدرجة حرارة الغرفة هو الافضل للخفق.
- قبل خفق بياض البيض، تأكد من عدم وجود شحم او صفار بيض على المخففة او في الوعاء.
- استعمل موادا باردة للمعجنات ما لم تدعو طريقة العمل الى خلاف ذلك.

امور تتعلق بعمل الخبز

- ملاحظة هامة
- ابدأ لا تتجاوز الكميات القصوى المذكورة ادناه - فقد تحمل المكنة اكثر من طاقتها.
- اذا سمعت المكنة تحاول العمل بصعوبة، اوقف التشغيل واخرج نصف العجين ونفذ العمل على دفعتين منفصلتين.
- تمزج المواد على افضل وجه اذا وضع السائل اولاً.

الكميات القصوى

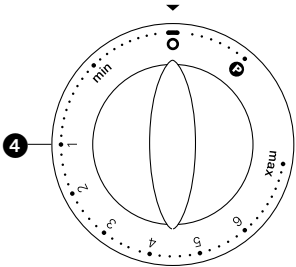
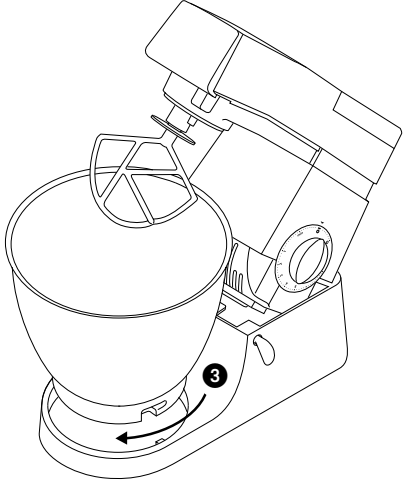
تشيف

ميجور

- وزن الدقيق: ٦٨٠ جم - باوند ٨ و اونصة
- وزن الدقيق: ١.٣٦ كجم - ٣ باوند
- وزن الدقيق: ٩١٠ جم - ٢ باوند
- وزن الدقيق: ١.٥ كجم - ٣ باوند و ٥ اونصة
- وزن الكلي: ٢.١٨ كجم - ٤ باوند و ١٣ اونصة
- وزن الكلي: ١.٣ كجم - ٢ باوند و ١٤ اونصة
- وزن الكلي: ٢.٤ كجم - ٥ باوند و ٥ اونصة
- وزن الكلي: ٢.٦ كجم - ٥ باوند و ١٢ اونصة
- وزن الكلي: ٢.٥ كجم - ٥ باوند و ٨ اونصة
- وزن الكلي: ٢.٧٢ كجم - ٦ باوند
- وزن الكلي: ٥ كجم - ١١ باوند
- وزن الكلي: ٤.٥٥ كجم - ١٠ باوند
- وزن الكلي: ١٦
- معجنات رقيقة القشرة
- عجينة خميرة قاسية
- النوع البريطاني
- عجينة خميرة طرية
- نوع كوتننتال
- مزيج كيك الفاكهة
- بياض البيض

مفتاح السرعة ④

- لعمل كريم السمن والسكر، ابدأ على السرعة الدنيا "min"، ثم ارفع السرعة تدريجيا الى الدرجة القصوى "max".
- خفق البيض ليصبح مزيج كريمي القوام ٤ - الحد الاقصى.
- الدمج في الدقيق، الفاكهة الخ الحد الادنى - ١.
- انواع الكيك، ابدأ بالسرعة الدنيا ثم رفعها تدريجيا الى السرعة القصوى.
- دمج السمن في الدقيق السرعة الدنيا-٢.
- الخفق
- خطاف العجين
- ابدأ بالسرعة الدنيا وارفعها تدريجيا الى ١.



تعرفوا على مكنة المطبخ كينوود

السلامة

- اوقف التشغيل وافصل الجهاز من الكهرباء قبل تركيب او ازالة العدد/الملحقات وبعد الاستعمال وقبل التنظيف.
- ان هذه المكنة ليست مصممة للاستعمال من قبل الاطفال او الاشخاص الواهنين بدون مراقبة.
- ابق اصابعك بعيدا عن الاجزاء المتحركة والملحقات المركبة.
- ابدا لا تترك المكنة مشغولة بدون اشراف.
- ابدا لا تستعمل مكنة متضررة. بل يجب الكشف عليها او تصليحها: انظر "الخدمة"، صفحة ٨٣.
- ابدا لا تستعمل قطعة ملحقات غير مخول استعمالها او اكثر من قطعة ملحقة واحدة في ذات الوقت.
- ابدا لا تتجاوز الكميات القصوى المذكورة على الصفحة ٤٣.
- لا تسمح للاطفال باللعب بهذه المكنة.
- عند استعمال قطعة ملحقة ما، اقرأ تعليمات السلامة الواردة معها.
- استعمال هذه المكنة لغرض اعداد الطعام للاغراض المنزلية فقط.

ملاحظة هامة - المملكة المتحدة فقط

قبل التوصيل بالكهرباء

- تأكد من ان الكهرباء المتوفرة لديكم هي ذات النوع المذكور على الجهة التحتية من المكنة.
- ان الاسلاك الموجودة في كابل الكهرباء ملونة كما يلي:
ازرق = متعادل، بني = حي.
- تتطابق هذه المكنة مع توجيه المجموعة الاقتصادية الاوروبية رقم 89/336/EEC.

قبل الاستعمال للمرة الاولى

- 1 تزال جميع مواد التغليف.
- 2 تغسل الاجزاء: انظر "العناية والتنظيف"، الصفحة ٨٣.

تعرفوا على مكنة المطبخ كينوود

