

**Register Now**   
[www.delonghi.com/register](http://www.delonghi.com/register)



De'Longhi Appliances via Seitz, 47 31100 Treviso Italia [www.delonghi.com](http://www.delonghi.com)

---

5712410151\_01\_1118

---

EV250

EVAPORATIVE COOLER  
Instructions for use

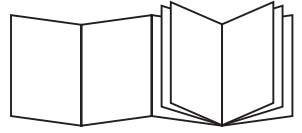


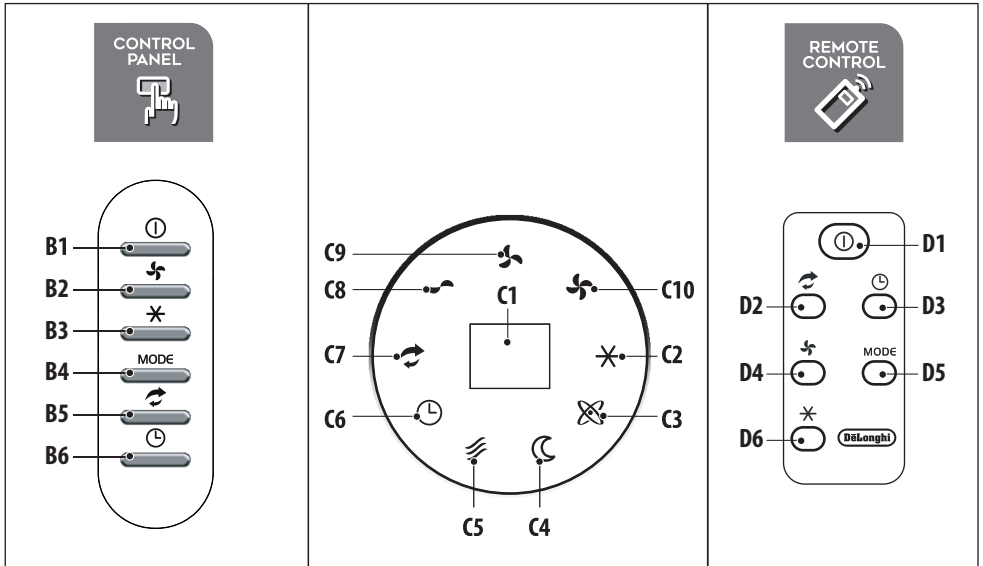
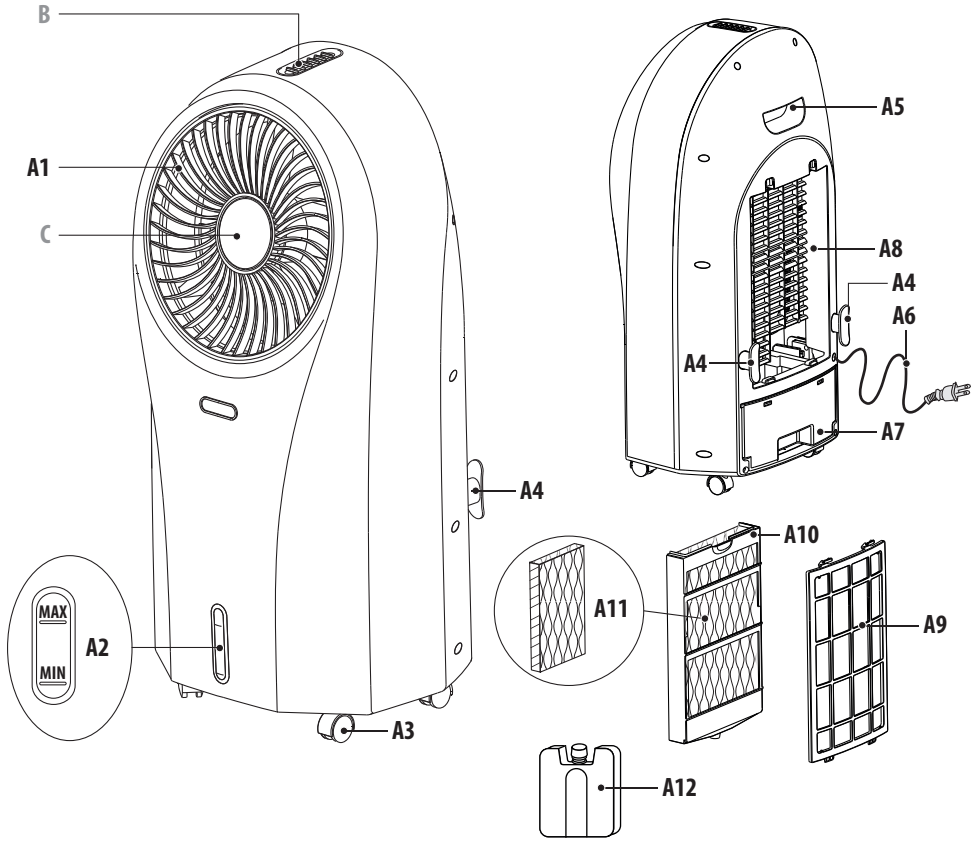
---

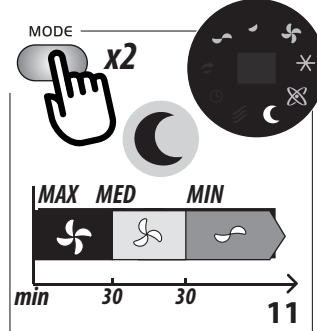
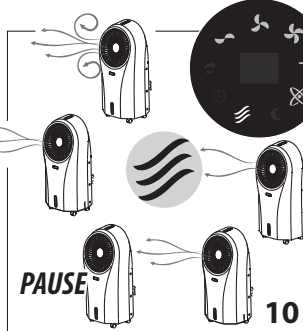
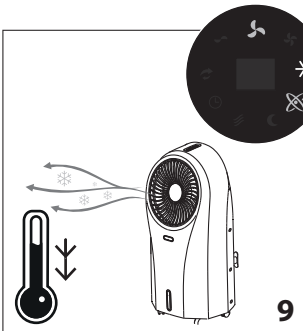
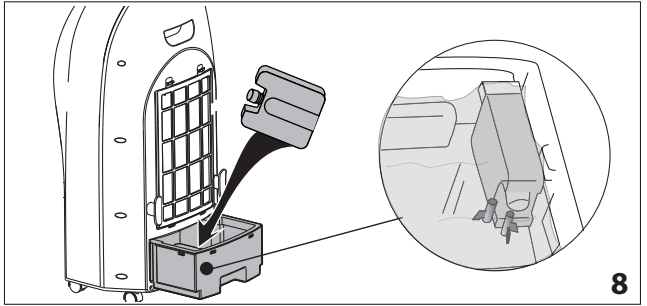
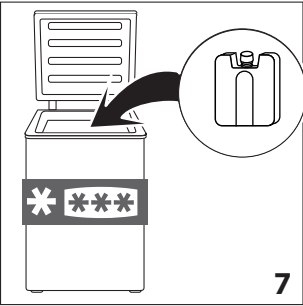
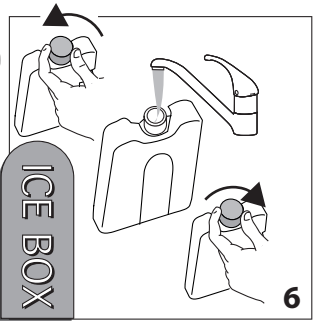
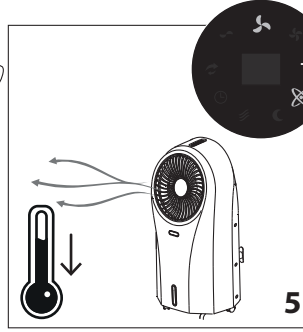
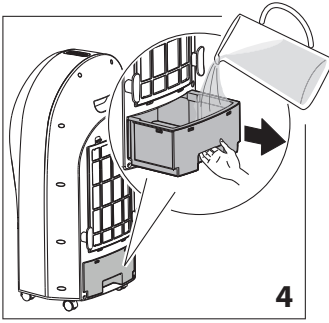
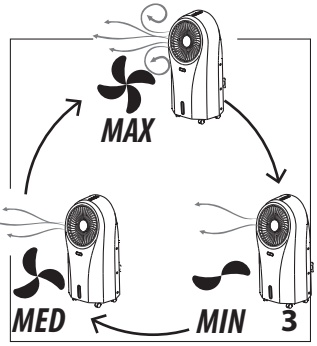
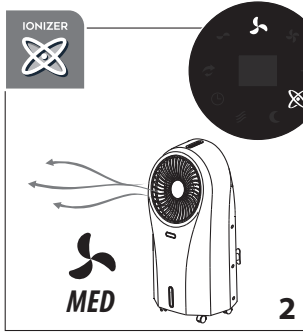
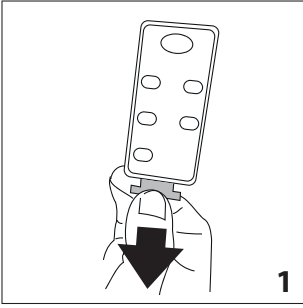
**DeLonghi**

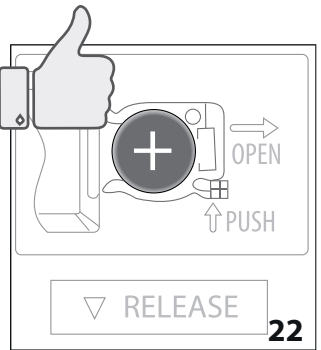
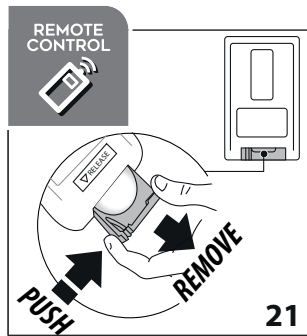
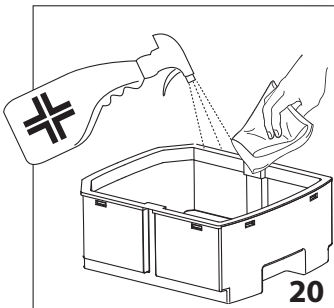
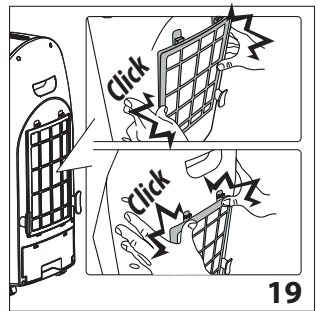
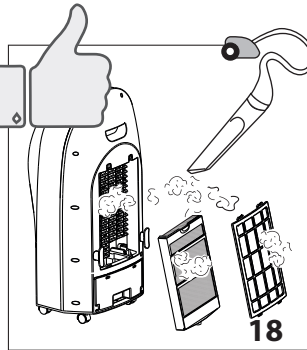
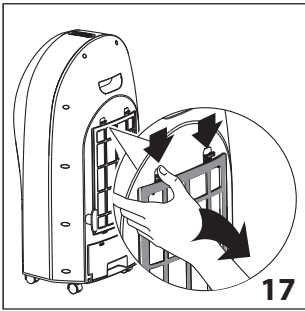
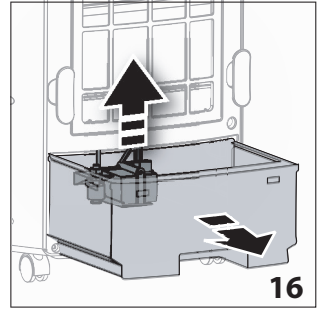
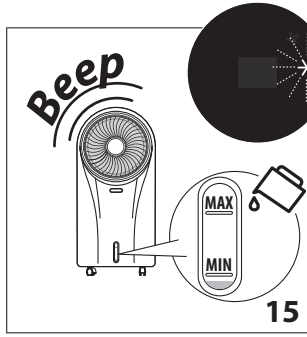
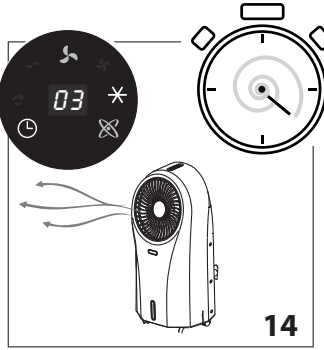
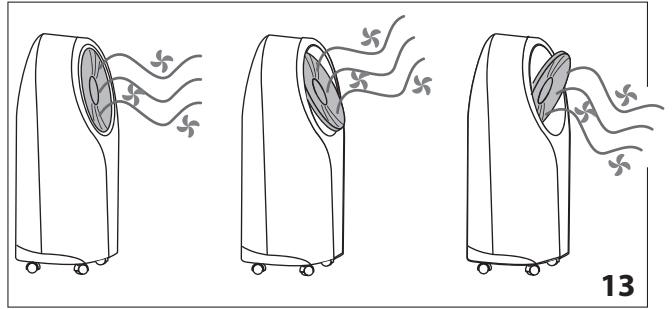
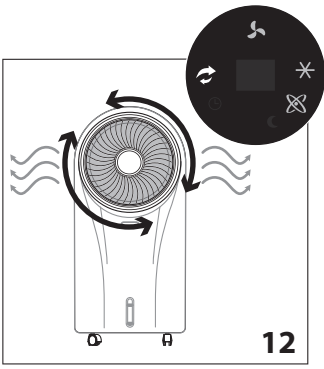
**EN**

page 6









## 1. FUNDAMENTAL SAFETY WARNINGS

---

- The appliance is not intended for use by persons (including children) with reduced physical, sensory or mental capabilities, or with insufficient experience and knowledge, unless properly supervised or taught how to use the appliance safely by a person responsible for their safety.
- Children must be supervised to ensure they do not play with the appliance.
- If the plug or power cord is damaged, have it replaced exclusively by the Service Centre to avoid any risks.

### FOR EUROPEAN MARKETS ONLY:

- This appliance can be used by children aged from 8 years and above and persons with reduced physical, sensory or mental capabilities or lack of experience and knowledge if they have been given supervision or instruction concerning use of the appliance in a safe way and understand the hazards involved. Children shall not play with the appliance. Cleaning and maintenance can also be performed by children 8 years and over, if supervised. Keep the appliance and power cord far from the reach of children under 8 years of age.
- The appliance may be used by persons with reduced physical, sensory or mental skills, or insufficient experience and knowledge, provided they are properly supervised or have received instructions concerning safe use of the appliance and understand the hazards involved.
- Children must not play with the appliance.
- Always disconnect the power supply to the appliance if left unattended and prior to maintenance or cleaning operations.

---

As the appliance is powered by electricity, the possibility of electrical shock cannot be excluded.

The following safety precautions must therefore be followed:

- After removing the packaging, check the condition of the appliance. If in doubt, do not use the appliance and contact professionally qualified personnel.
- Before use, always check the condition of the power cord.
- It is dangerous to modify or alter the characteristics of the appliance in any way.
- The appliance must be installed in compliance with national standards regulating electrical systems.
- Do not install the appliance in environments where the air may contain gas, oil, sulphur or near sources of heat.
- Before connecting the appliance to the power outlet, check the compatibility of the appliance voltage with your electrical system.
- If the appliance is used outdoors, make sure the plug is connected to an outlet suitable for outdoor use.
- This appliance must be connected to an efficient "grounding" system. Have the electrical system checked by a qualified electrician.
- Before each cleaning or maintenance operation, always disconnect the plug from the power outlet.
- Never submerge the appliance in water.
- This appliance must be used exclusively for the intended purpose for which it was designed, specifically to cool domestic environments. All other uses are considered improper and therefore hazardous. The manufacturer shall not be held liable for any damage caused by improper, erroneous and irresponsible use, and/or due to repairs made by unqualified personnel.
- Never use the cooler without water. Use tap water only,

without any additives. Fill the tank only when the appliance is turned off.

- Do not move the appliance when the tank is full and when in use.
- Do not leave the appliance turned on when not in use as this may be a source of danger.
- Never place hands, the face or body directly above or near the grill when the appliance is in use.
- Place the appliance on a flat and stable surface. Never place the appliance on carpet or rugs or on delicate furniture that may be damaged by contact with water.
- Do not place the appliance near sources of heat such as heaters, radiators, etc.. Place your appliance near a power outlet.
- When the appliance is connected to the mains, keep the following safety rules in mind:
  - do not touch the appliance with wet or damp hands;
  - do not use the appliance with bare or wet feet;
  - do not pull on the power cord or appliance to detach the plug from the power outlet;
  - keep the appliance far from the reach of children;
  - do not insert foreign bodies into the appliance;
  - do not leave the appliance exposed to atmospheric agents;
- If you wish to permanently eliminate the appliance, after disconnecting the plug from the power socket it is recommended to make it unusable by severing the power cord.
- In the event of a fault and/or malfunction, turn the appliance off without tampering with it. For all repairs, contact an authorised technical service centre only and request the use of original spare parts and accessories.
- Avoid the use of power cord extensions.

### **Important!**

Store the packaging material (plastic bags, styrofoam) far from the reach of children.

**CHOKING HAZARD:** The appliance might contain small parts. Some of those small parts might be required to get disassembled during cleaning and maintenance operations. Handle with care and keep small parts out of reach of children.




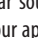


## **2. DESCRIPTION**

### **2.1 Description of appliance**

- A1. Rotating grill: can be manually oriented (make this adjustment with rotation disabled)
- A2. Tank water level indicator
- A3. Castors
- A4. Cable reel
- A5. Handle
- A6. Power cord
- A7. Extractable water tank
- A8. Filter housing

- A9. Dust filter
- A10. Cooling pad
- A11. Honeycomb cooling pad
- A12. Ice box Ice packs

### **2.2 Description of control panel (B)**

- B1. ON/OFF: to turn the appliance on and off
- B2. Fan speed. Press to select one of 3 possible speeds:  MED,  MAX,  MIN
- B3. Cooling/Humidification. Press to activate or deactivate the function
- B4. Select the fan mode:
  - **Natural**  : the device will run random fan cycles at different speeds, pausing every now and then for a few seconds.
  - **Sleep**  (night): the appliance will run at MAX speed for 30 minutes, then at MED speed for 30 minutes; it will then remain at minimum speed.
- B5. "Swing" mode (rotation): When selected, the grill rotates.
- B6. "AUTO OFF" (automatic shutdown): press to set a delayed shutdown (from 1 to 24 hours).
  - When pressed, the  symbol is shown on the display and the numeric value flashes for about 5 seconds: once they remain fixed, the automatic shutdown programme has been saved.
  - To deactivate "AUTO OFF" (automatic shutdown): press the key until selecting "00", then wait for the symbol and numeric value to turn off.

### **2.3 Description of display (C)**

- C1. "AUTO OFF" (automatic shutdown) programming viewer
- C2. "Cooling/Humidification" active
- C3. "Ioniser" active (always on as the function is included in every operating mode)
- C4. "Sleep" (night) fan mode active
- C5. "Natural" fan mode active
- C6. "AUTO-OFF" (automatic shutdown) programmed
- C7. "Swing" (rotation) mode selected
- C8. "MIN" fan speed
- C9. "MED" fan speed
- C10. "MAX" fan speed

### **2.4 Description of remote control**

- D1. ON/OFF: to turn the appliance on and off
- D2. "Swing" mode (rotation): When selected, the grill rotates.
- D3. "AUTO-OFF" (automatic shutdown) (see B6)
- D4. Fan speed (see B2)
- D5. Fan mode selection (see B4)
- D6. Cooling/Humidification. Press to activate or deactivate the function





## 3. INSTRUCTIONS FOR USE





### 3.1 First use

- When used for the first time, a strange smell may be detected. This is part of the appliance's normal operation.
- USE OF REMOTE CONTROL: Before using the appliance for the first time, remove the plastic tab (fig. 1). Point the remote control toward the LED display. The maximum operating distance is approx. 6 metres from the receiver.

### 3.2 Turning the appliance on and off

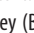
1. Connect the appliance to a power outlet: the appliance will make an audible signal. The machine is ready for use.
2. Press the  key (B1 or D1). The appliance will turn on with the "MED" fan speed and "ionisation" active (fig. 2);
3. To turn the appliance off, press the  key (B1 or D1).

### 3.3 Selecting the fan speed

1. Press the  key (B2 or D4);
2. Each time the key is pressed, the fan speed changes ( , ,  ) (fig. 3).

### 3.4 Cooling/humidification

Prepare the appliance by filling up the water tank.

1. Extract the water tank (fig. 4) and fill it with fresh tap water (MAX 4.5L) using a jug; take care not to exceed the MAX level visible through the level indicator (A2). The MAX level guarantees 6 hours of appliance use;
2. Re-insert the water tank;
3. Press the  key (B3 or D6): the corresponding symbol will light up on the display (fig. 5). The air enters the cooling device and exits cooled, thus helping to reduce the air temperature;

#### Note:

When this function is used for the first time, the water in the tank may change colour: this is part of the appliance's normal operation.

To improve the performance of the appliance, use the "Ice box" (A11).

4. Fill the "Ice box" with tap water (fig. 6);
5. Place the "Ice box" in the freezer (fig. 7) and leave it there until it freezes;
6. Extract the water tank and insert the "Ice box" inside, placing it in the rear left corner (fig. 8).


#### Note:

Make sure the "Ice box" is properly positioned in its housing (fig. 8).


7. Re-insert the water tank, turn on the appliance and select the "Cooling/humidification" function: the air delivered by the appliance will be cooler (fig. 9).

### 3.5 Selecting the fan mode

The appliance can be set to work in 3 different fan modes:

1. NORMAL - Press the  key (B2 or D4) to select the fan speed;
2. NATURAL - Press the MODE key once (B4 or D5). The device will run random fan cycles at different speeds, pausing every now and then for a few seconds (fig. 10);
3. SLEEP - Press the MODE key twice (B4 or D5). The appliance will automatically work at MAX speed for 30 minutes, then MED speed for 30 minutes: it will then continue at MIN speed (fig. 11).

### 3.6 Swing


1. Press the  key (B5 or D2) to activate grill rotation (fig. 12): the corresponding symbol will light up on the display;
2. To stop rotation, press the same key again.

#### Note:



The grill can be vertically tilted by manually adjusting it to direct the air flow (fig. 13): make this adjustment with the grill stopped, without forcing it.

### 3.7 AUTO-OFF


It is possible to delay shutdown by 1 to 24 hours by pressing the  key (B6 or D3).

1. Press until selecting the number reflecting the desired hours of operation: the number is shown on the display (C1);
2. The  symbol and numeric value flash to indicate that automatic shutdown programming is in progress. When the symbol and numeric value remain fixed, programming has been saved (fig. 14).

#### Note:

To exit automatic shutdown, press the  key (B6 or D3) until setting the numeric value "00": the  symbol and "00" will flash. When they turn off, automatic shutdown is cancelled.

## 4. FILLING THE WATER TANK

Before activating the Cooling/Humidification function, always make sure there is water in the tank. If the water finishes during use, the appliance makes an audible signal and the  symbol flashes on the display (fig. 15): the device will nonetheless continue to ventilate.

#### Recommended tank filling procedure:

1. Partially extract the water tank (fig. 4) and fill it with MAX 4.5l of fresh tap water, using a jug. Always use tap water and never overfill the tank: check the water level indicator (A2);
2. Re-insert the water tank.

#### Note:

If you decide to completely extract the tank:

- extract the tank until the pump is raised (fig. 16) and wait a few minutes for the residual water on the honeycomb cooling pad to drip into the tank;
- fully extract the tank and proceed to fill it.

Once the tank is filled:

- if necessary, dry the tank housing;
- check that the pump is raised;
- carefully re-insert the water tank.

## 5. CLEANING AND MAINTENANCE

- Always disconnect the appliance from the mains before carrying out cleaning operations.
- Never submerge the appliance in water.
- Never pour water directly over the appliance.
- Never use petrol, alcohol or solvents.
- Never spray insecticides or similar substances: the plastic may be deformed.
- Clean the surfaces of the appliance using a soft cloth, never use abrasive sponges as these may scratch the surface.

### 5.1 Cleaning the dust filter and honeycomb cooling pad

Clean the dust filter regularly. The frequency of cleaning will depend on the frequency of use: if used daily, it is recommended to clean the filter every week.

- Extract the dust filter and cooling pad (fig. 17);
- Remove any dust from the filters using a vacuum cleaner (fig. 18);
- Wash the cooling pad thoroughly with water; then leave it to completely dry and re-insert the filters in their housing (fig. 19).

#### **Note:**

For the continued performance of the appliance, it is recommended to replace the honeycomb cooling pad (A11) every 3 years.

### 5.2 Cleaning the water tank

- Extract the water tank;
- Clean it thoroughly with a sanitising detergent, available in stores (fig. 20).
- check that the pump is raised;
- carefully re-insert the water tank.

### 5.3 Replacing the remote control battery

- Extract the battery support on the back of the remote control (fig. 21);
- Insert a battery type 3V CR2025 into the support, making sure the poles are correctly matched (+ and -), then re-insert the support (fig. 22).

The remote control is ready for use.

#### **Note:**


If the remote control is disposed of or replaced, the battery must be removed and disposed of in accordance with laws in force, insofar as batteries are harmful to the environment.

Do not throw the battery into an open flame as it may explode or release hazardous liquids.

## 6. TROUBLESHOOTING

Below is a list of possible malfunctions.

If the problem cannot be resolved using the proposed solution, contact the Service Centre.

PROBLEM	POSSIBLE CAUSE	SOLUTION
The appliance doesn't turn on	The power cord is not connected	Make sure the power cord is connected and that there is power
	The appliance is not on	Turn on the appliance by pressing the  key (B1 on the control panel or D1 on the remote control)
The appliance turns off	Automatic shutdown has been activated	Turn on the appliance and make sure the automatic shutdown symbol is off
Presence of water under the tank	When the tank is completely extracted without waiting a couple of minutes, the residual water on the honeycomb cooling pad will drip into the tank housing	Dry the housing before re-inserting the tank. For filling, follow the instructions in chap. 4.



PROBLEM	POSSIBLE CAUSE	SOLUTION
Excessive humidity in the room	When the Cooling/Humidification function is used, the appliance produces humidity as a result of the evaporative cooling effect. This is normal.	The appliance cools most efficiently in dry climates. If the humidity level is high (60% and above) it is best not to use the Cooling/Humidification function
		Make sure the windows/doors are open and that there is a sufficient flow of air in the room, so that the air can best circulate. It is nonetheless possible to use the appliance in fan mode
The ✖ symbol (C2) flashes on the display and the appliance is not cooling very well	There is no water in the tank	Fill the tank with cold water as indicated in par. 4
The appliance is not cooling very well	There is no water in the tank	Fill the tank with cold water as indicated in par. 4
	Dirty filters	Clean the filters as indicated in par. 5.1
The remote control doesn't work	The remote control battery isn't inserted properly	Check that the battery is inserted as per the polarity guide on the back of the remote control.
	The battery is flat	Replace with a new battery
	The remote control is damaged	If replacing the battery doesn't solve the problem, contact an authorised Service Centre
The appliance doesn't respond	The control panel on the appliance doesn't work	Use the remote control to activate the appliance. If the appliance responds, there may be a problem with the control panel: contact an authorised Service Centre
		If neither the control panel nor the remote control work, contact an authorised Service Centre
The appliance has been wet by the rain	The appliance used outdoors was wet by heavy rainfall	A small amount of rain on the appliance is not a problem. However, make sure the appliance is connected to suitable water-resistant power outlets. Before turning on the appliance, always make sure the plug and power outlet are dry

## 7. DISPOSAL



Do not dispose of the appliance together with household waste but rather take it to an authorised waste separation centre.